

70x70x25mm
2.80"x2.80"x1.00"

GENERAL SPECIFICATIONS

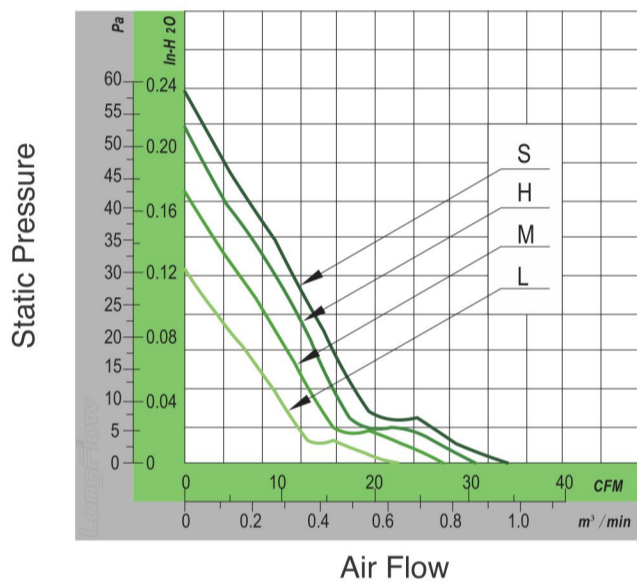
Motor Structure: Brushless DC Motor
 Motor Protection: Auto-Restart | Polarity Protection(Optional)
 Allowable Ambient Temperature Range:
 -10°C ~ +70°C (Operating)
 -40°C ~ +70°C (Storage)
 (non-condensing environment)
 Safety Standard: UL | TUV | ROHS | CE (Optional)
 Customized Fan Features: FG | RD | IP56|PWM (Optional)



MATERIAL

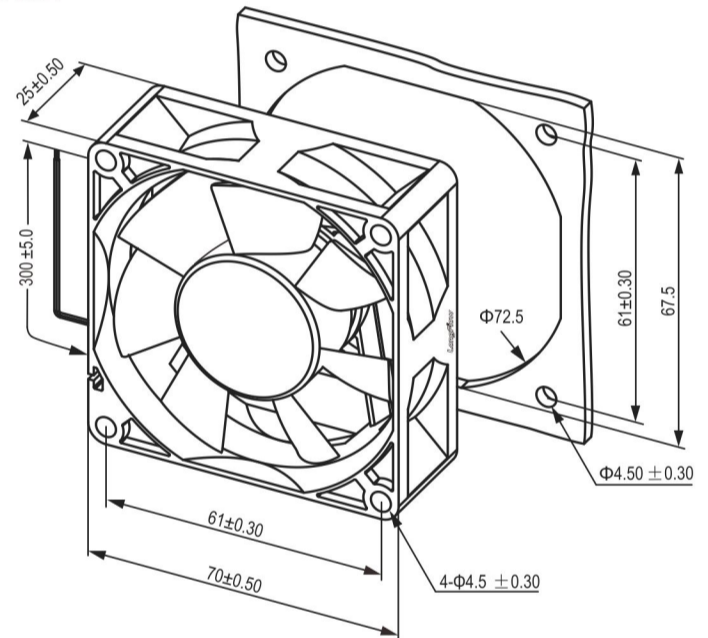
Frame : Plastic (UL94V-0)
 Impeller : Plastic (UL94V-0)
 Bearing&Expected Life:
 Sleeve Bearing 30,000hrs (40°C);
 Ball Bearing 70,000hrs (40°C)
 Lead Wire : UL1007AWG#24 or Equivalent (+) Red, (-) Black

PERFORMANCE CURVES



OUTLINE DRAWING

unit: mm



MODEL SPECIFICATIONS

| Model | Rated Voltage | Operating Voltage | Input Current | Input Power | Speed | Max. Air Flow | | Max. Air Pressure | | | Noise Level | Weight |
|--------------|---------------|-------------------|---------------|-------------|-------|---------------|---------------------|---------------------|---------------------|----|-------------|--------|
| | (V) | (V) | (A) | (W) | RPM | CFM | M ³ /MIN | mm H ₂ O | in H ₂ O | Pa | dBA | (G) |
| LFD7025NX12S | 12 | 7.0-13.8 | 0.30 | 3.60 | 4500 | 33.57 | 0.95 | 6.09 | 0.24 | 60 | 42.0 | 52.0 |
| LFD7025NX12H | 12 | 7.0-13.8 | 0.25 | 3.00 | 4000 | 31.01 | 0.88 | 5.33 | 0.21 | 52 | 37.0 | 52.0 |
| LFD7025NX12M | 12 | 7.0-13.8 | 0.20 | 2.40 | 3500 | 27.93 | 0.79 | 4.31 | 0.17 | 42 | 32.0 | 52.0 |
| LFD7025NX12L | 12 | 7.0-13.8 | 0.15 | 1.80 | 3000 | 23.02 | 0.65 | 3.30 | 0.13 | 32 | 28.0 | 52.0 |
| LFD7025NX24S | 24 | 14.0-27.6 | 0.20 | 4.80 | 4500 | 33.57 | 0.95 | 6.09 | 0.24 | 60 | 42.0 | 52.0 |
| LFD7025NX24H | 24 | 14.0-27.6 | 0.16 | 3.84 | 4000 | 31.01 | 0.88 | 5.33 | 0.21 | 52 | 37.0 | 52.0 |
| LFD7025NX24M | 24 | 14.0-27.6 | 0.12 | 2.88 | 3500 | 27.93 | 0.79 | 4.31 | 0.17 | 42 | 32.0 | 52.0 |
| LFD7025NX24L | 24 | 14.0-27.6 | 0.08 | 1.92 | 3000 | 23.02 | 0.65 | 3.30 | 0.13 | 32 | 28.0 | 52.0 |

* X refers to bearing type and can be B or S (B: ball bearing; S: sleeve bearing)