



Φ220x60mm
Φ8.66"x2.36"

GENERAL SPECIFICATIONS

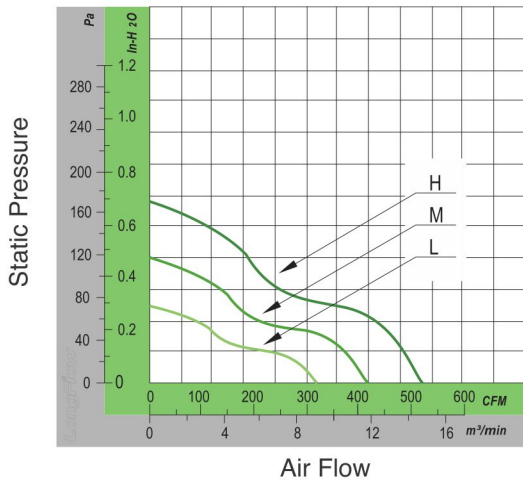
Motor Structure: EC (Electronically Commutated) Motor or Efficient DC Motor with Integrated AC to DC Converter
 Motor Protection: Auto-Restart | Soft-Start (Optional)
 Dielectric Strength: 50/60Hz 1500VAC 1min Between Input Terminal and Frame
 Allowable Ambient Temperature Range: -20°C ~ +70°C (Operating) -40°C ~ +70°C (Storage) (non-condensing environment)
 Safety Standard: UL | TUV | ROHS | CE (Optional)
 Customized Fan Features: FG | RD | IP54 | PWM (Optional)

MATERIAL

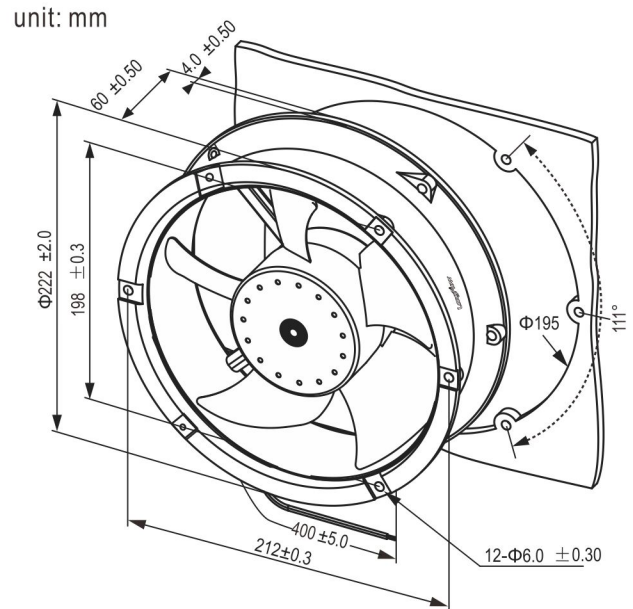
Frame : Aluminum Alloy
 Impeller : Plastic (UL94V-0)
 Bearing & Expected Life: Ball Bearing 70,000hrs (40°C)
 Lead Wire : UL1007AWG#20 300mm or Terminal



PERFORMANCE CURVES



OUTLINE DRAWING



MODEL SPECIFICATIONS

Model	Rated Voltage	Freq.	Rated Current	Input Power	Speed	Max. Air Flow		Max. Air Pressure			Noise Level	Weight
	(V)	(Hz)	(A)	(W)	RPM	CFM	M ³ /MIN	mm H ₂ O	in H ₂ O	Pa	dBA	(G)
LFE2260AB12H	110~240	50/60	0.28	38.0	2800	510.00	14.43	16.75	0.66	164	63.0	1200.0
LFE2260AB12M	110~240	50/60	0.19	21.0	2300	419.00	11.86	11.42	0.45	112	57.0	1200.0
LFE2260AB12L	110~240	50/60	0.13	10.0	1800	328.00	9.28	6.85	0.27	67	51.0	1200.0

WIRING DIAGRAM

