

**60x60x25mm**  
2.40"x2.40"x1.00"

### GENERAL SPECIFICATIONS

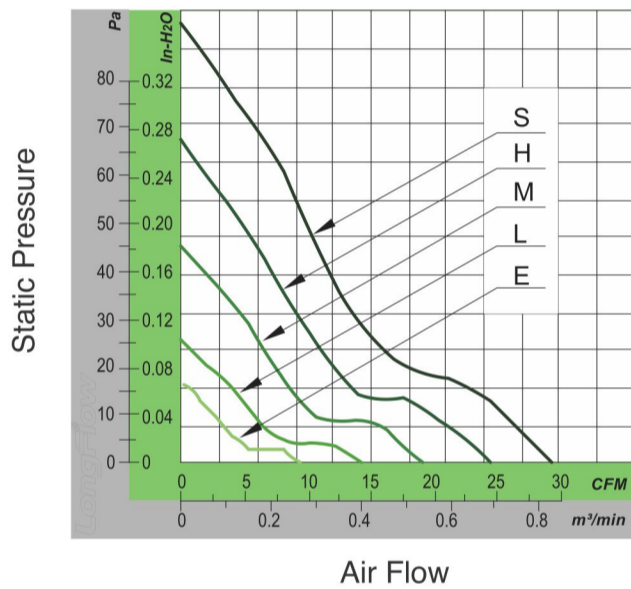
Motor Structure: Brushless DC Motor  
 Motor Protection: Auto-Restart | Polarity Protection(Optional)  
 Allowable Ambient Temperature Range:  
 -10°C ~ +70°C (Operating)  
 -40°C ~ +70°C (Storage)  
 (non-condensing environment)  
 Safety Standard: UL | TUV | ROHS | CE (Optional)  
 Customized Fan Features: FG | RD | IP56|PWM (Optional)



### MATERIAL

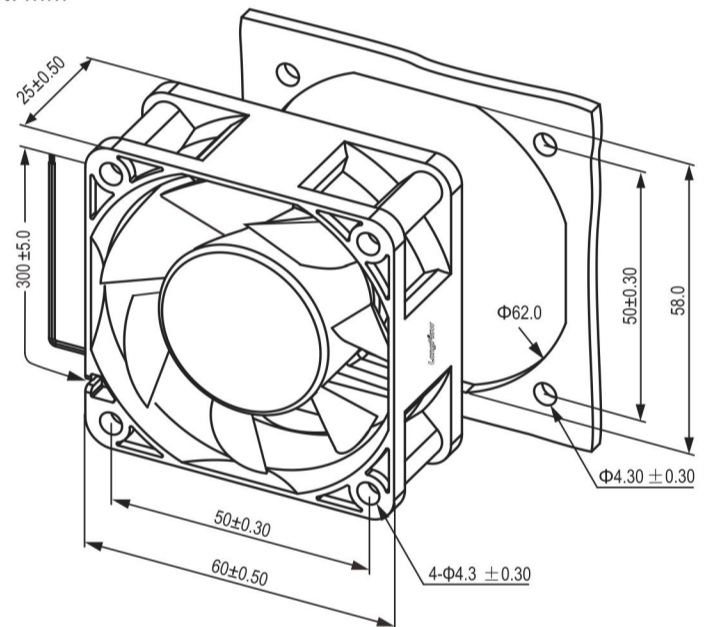
Frame : Plastic (UL94V-0)  
 Impeller : Plastic (UL94V-0)  
 Bearing&Expected Life:  
 Sleeve Bearing 30,000hrs (40°C);  
 Ball Bearing 70,000hrs (40°C)  
 Lead Wire : UL1007AWG#24 or Equivalent (+) Red, (-) Black

### PERFORMANCE CURVES



### OUTLINE DRAWING

unit: mm



### MODEL SPECIFICATIONS

Model	Rated Voltage	Operating Voltage	Input Current	Input Power	Speed	Max. Air Flow		Max. Air Pressure			Noise Level	Weight
	(V)	(V)	(A)	(W)	RPM	CFM	M <sup>3</sup> /MIN	mm H <sub>2</sub> O	in H <sub>2</sub> O	Pa	dBA	(G)
LFD6025NX12S	12	7.0-13.8	0.45	5.40	6000	29.43	0.83	9.39	0.37	92	45.0	56.0
LFD6025NX12H	12	7.0-13.8	0.25	3.00	5000	24.77	0.70	6.85	0.27	67	38.0	56.0
LFD6025NX12M	12	7.0-13.8	0.18	2.16	4000	19.15	0.54	4.31	0.17	42	32.0	56.0
LFD6025NX12L	12	7.0-13.8	0.10	1.20	3000	14.77	0.42	2.79	0.11	27	27.0	56.0
LFD6025NX12E	12	7.0-13.8	0.06	0.72	2000	9.20	0.26	1.02	0.04	10	23.0	56.0
LFD6025NX24S	24	14.0-27.6	0.25	6.00	6000	29.43	0.83	9.39	0.37	92	45.0	56.0
LFD6025NX24H	24	14.0-27.6	0.18	4.32	5000	24.77	0.70	6.85	0.27	67	38.0	56.0
LFD6025NX24M	24	14.0-27.6	0.15	3.60	4000	19.15	0.54	4.31	0.17	42	32.0	56.0
LFD6025NX24L	24	14.0-27.6	0.10	2.40	3000	14.77	0.42	2.79	0.11	27	27.0	56.0
LFD6025NX48S	48	28.0-56.0	0.18	8.64	6000	29.43	0.83	9.39	0.37	92	45.0	56.0
LFD6025NX48H	48	28.0-56.0	0.12	5.76	5000	24.77	0.70	6.85	0.27	67	38.0	56.0
LFD6025NX48M	48	28.0-56.0	0.08	3.84	4000	19.15	0.54	4.31	0.17	42	32.0	56.0
LFD6025NX48L	48	28.0-56.0	0.06	2.88	3000	14.77	0.42	2.79	0.11	27	27.0	56.0

\* X refers to bearing type and can be B or S (B: ball bearing; S: sleeve bearing)