

120x120x38mm
4.72"x4.72"x1.50"

AXIAL AC FANS

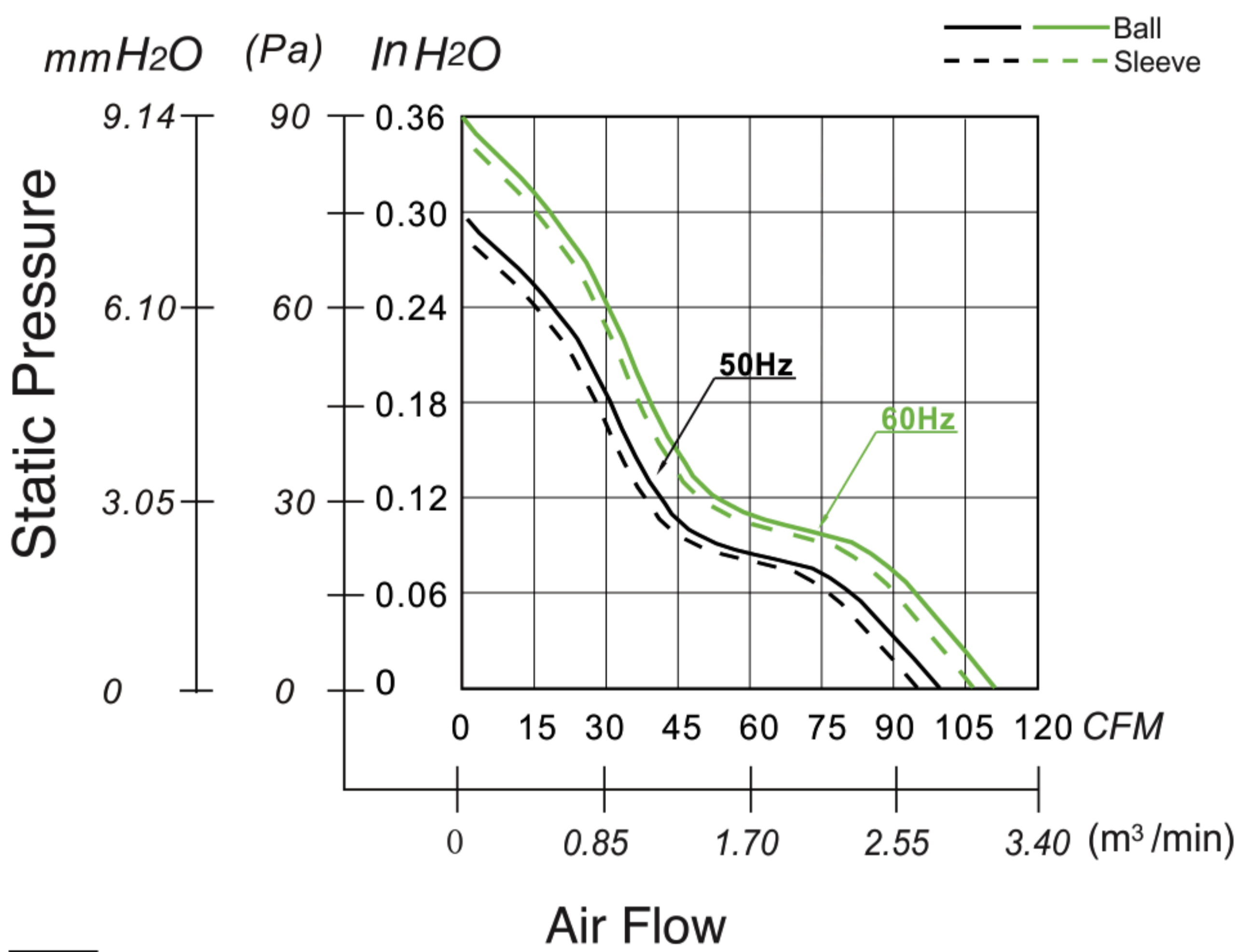
GENERAL SPECIFICATIONS

Motor Structure: Shaded Pole Induction Motor
 Motor Protection: Impedance Protection
 Insulation Type: CLASS B
 Dielectric Withstand Voltage: 50/60Hz, 1500VAC 1 MIN
 (Between Input Terminal and Frame)
 Allowable Ambient Temperature Range:
 -10°C ~ +70°C (Operating)
 -40°C ~ +70°C (Storage)
 (non-condensing environment)

MATERIAL

Casing : Aluminum Alloy
 Impeller : PBT+30% GF
 Bearing : Sleeve Bearing or Ball Bearing
 Lead Wire : AWG#22 UL1007 Black (Optional)

PERFORMANCE CURVES



LIFE EXPECTANCY

40°C Sleeve Bearing 30,000 Hours
 40°C Ball Bearing 50,000 Hours

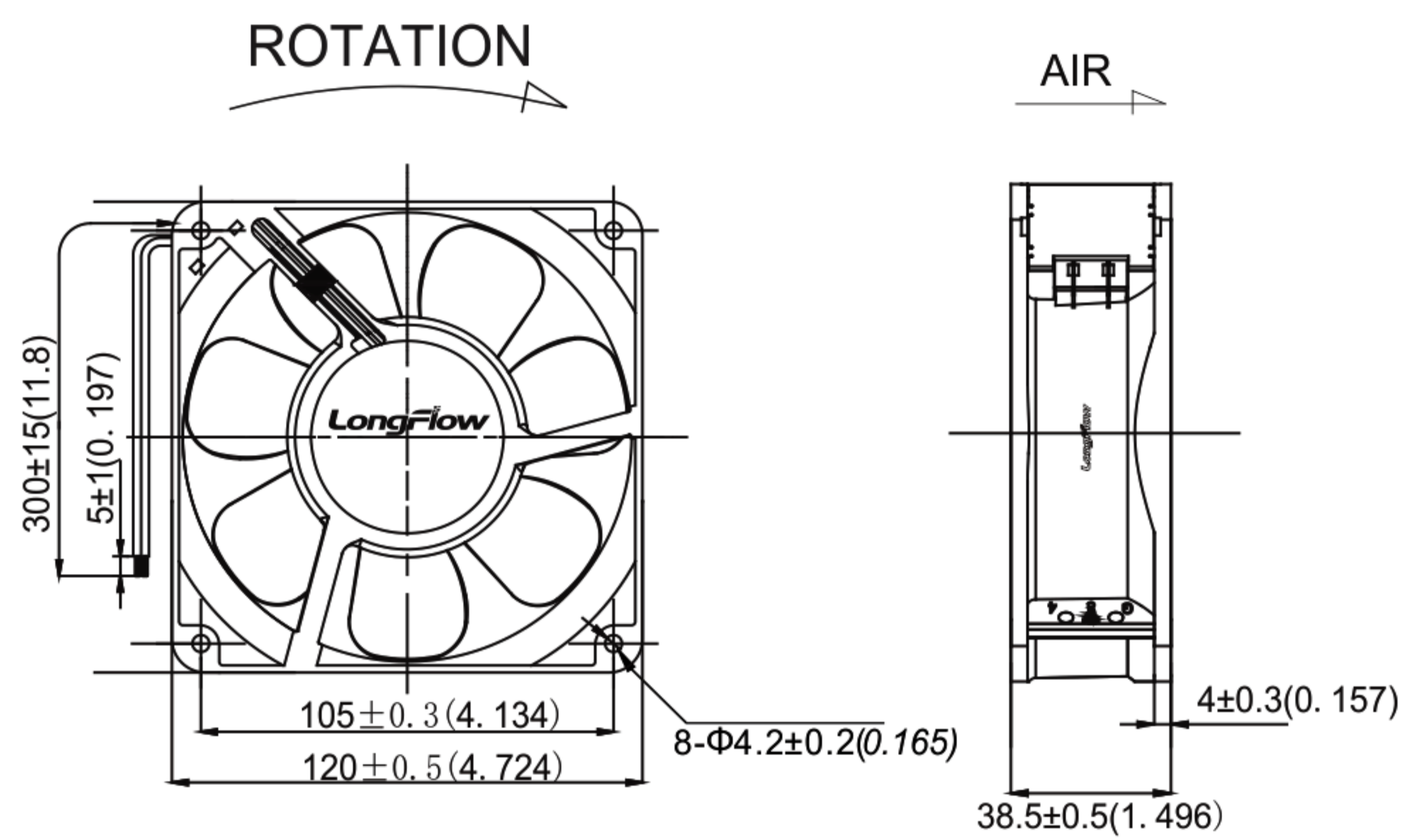
MODEL SPECIFICATIONS

Model	Bearing ● Ball ○ SLEEVE	Rated Voltage (V)	Freq. (Hz)	Rated Current (A)	Input Power (W)	Speed RPM	Noise Level dBA	Max. Air Flow [50/60Hz]		Max. Air Pressure[50/60Hz]				Weight (G)				
								CFM	M ³ /MIN	mm H ₂ O	in H ₂ O	Pa						
LFA1238AS11H	○	110-120	50/60	0.24/0.21	23/20	2500/2900	40/43	94	108	2.66	3.06	7.11	8.88	0.28	0.35	70	87	480
LFA1238AS23H	○	220-240	50/60	0.14/0.11	23/20	2500/2900	40/43	94	108	2.66	3.06	7.11	8.88	0.28	0.35	70	87	480
LFA1238AB11H	●	110-120	50/60	0.24/0.21	23/20	2600/3000	40/43	98	112	2.77	3.17	7.36	9.14	0.29	0.36	72	90	480
LFA1238AB23H	●	220-240	50/60	0.14/0.11	23/20	2600/3000	40/43	98	112	2.77	3.17	7.36	9.14	0.29	0.36	72	90	480



OUTLINE DRAWING

Units: mm(inch)



PANEL CUT-OUT

Units: mm(inch)

