



92x92x25mm
3.62"x3.62"x1.00"

GENERAL SPECIFICATIONS

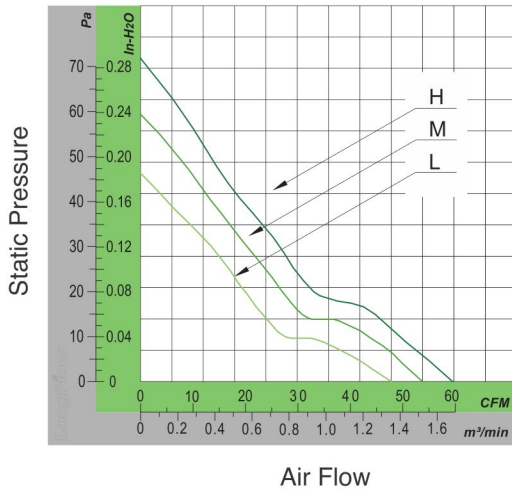
Motor Structure: EC (Electronically Commutated) Motor or Efficient DC Motor with Integrated AC to DC Converter
 Motor Protection: Auto-Restart | Soft-Start (Optional)
 Dielectric Strength: 50/60Hz 1500VAC 1min Between Input Terminal and Frame
 Allowable Ambient Temperature Range: -20°C ~ +70°C (Operating) -40°C ~ +70°C (Storage) (non-condensing environment)
 Safety Standard: UL | TUV | ROHS | CE (Optional)
 Customized Fan Features: FG | RD | IP54 | PWM (Optional)

MATERIAL

Frame : Aluminum Alloy
 Impeller : Plastic (UL94V-0)
 Bearing & Expected Life: Ball Bearing 70,000hrs (40°C)
 Lead Wire : UL1007AWG#24 300mm or Terminal

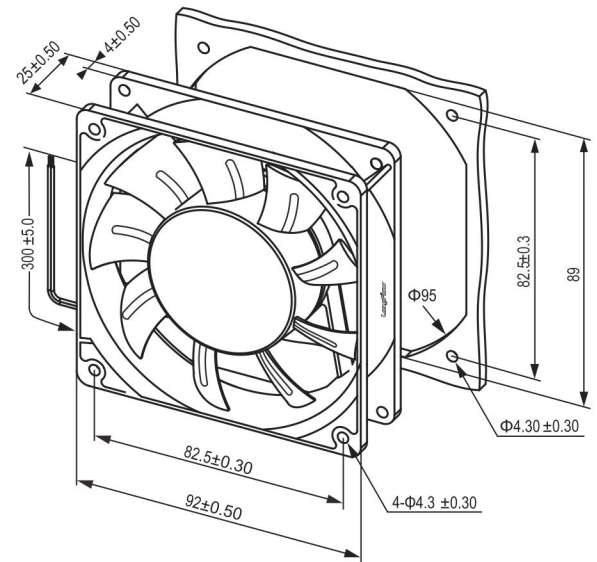


PERFORMANCE CURVES



OUTLINE DRAWING

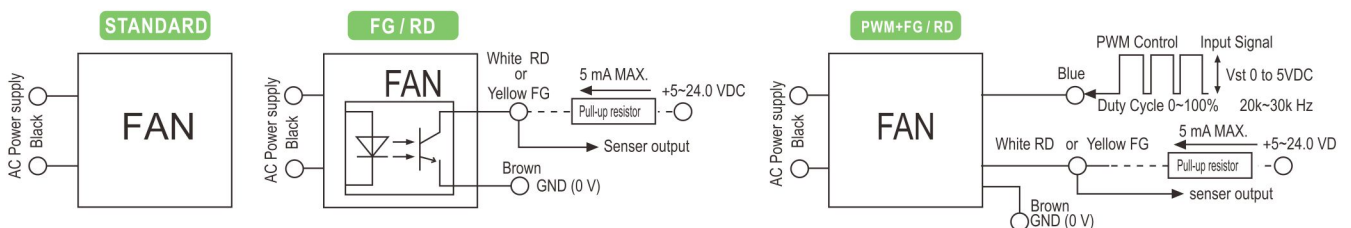
unit: mm



MODEL SPECIFICATIONS

Model	Rated Voltage	Freq.	Rated Current	Input Power	Speed	Max. Air Flow		Max. Air Pressure			Noise Level	Weight
	(V)					(Hz)	(A)	(W)	RPM	CFM		
LFE9225NB12H	110~240	50/60	0.05	6.0	3300	60.0	1.70	7.36	0.29	72	38	186
LFE9225NB12M	110~240	50/60	0.04	4.5	3000	54.5	1.54	6.09	0.24	60	34	186
LFE9225NB12L	110~240	50/60	0.03	3.3	2700	49.1	1.39	4.82	0.19	47	30	186

WIRING DIAGRAM



*Important Note: All specifications and descriptions are for reference only and may be subject to change without prior notice. Please contact us for any update or further information at marketing@ventilation-fan.com
 Copyright © 2009-2017 LONGFLOW All Rights Reserved.