

80x80x25mm
3.15"x3.15"x1.00"

GENERAL SPECIFICATIONS

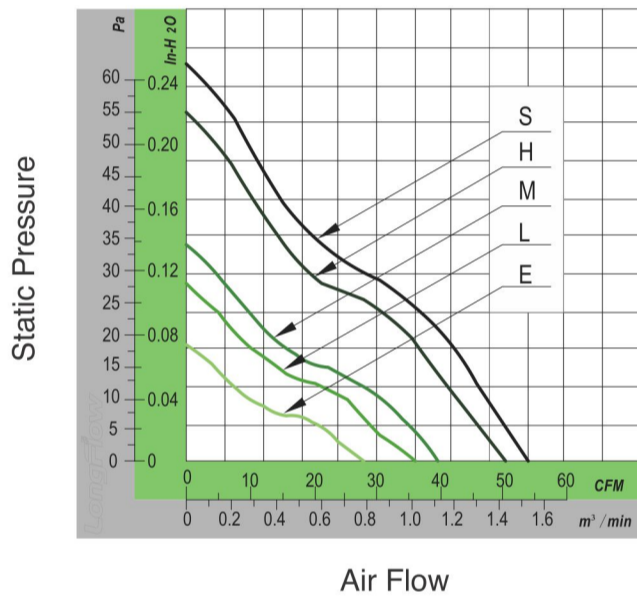
Motor Structure: Brushless DC Motor
 Motor Protection: Auto-Restart | Polarity Protection(Optional)
 Allowable Ambient Temperature Range:
 -10°C ~ +70°C (Operating)
 -40°C ~ +70°C (Storage)
 (non-condensing environment)
 Safety Standard: UL | TUV | ROHS | CE (Optional)
 Customized Fan Features: FG | RD | IP56|PWM (Optional)



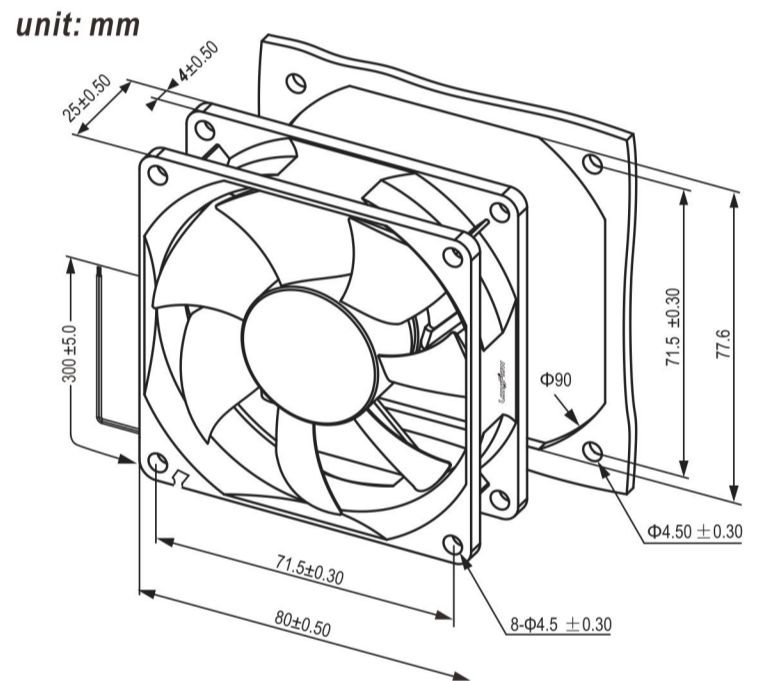
MATERIAL

Frame : Plastic (UL94V-0)
 Impeller : Plastic (UL94V-0)
 Bearing&Expected Life:
 Sleeve Bearing 30,000hrs (40°C);
 Ball Bearing 70,000hrs (40°C)
 Lead Wire : UL1007AWG#24 or Equivalent (+) Red, (-) Black

PERFORMANCE CURVES



OUTLINE DRAWING



MODEL SPECIFICATIONS

Model	Rated Voltage	Operating Voltage	Input Current	Input Power	Speed	Max. Air Flow		Max. Air Pressure			Noise Level	Weight
	(V)	(V)	(A)	(W)	RPM	CFM	M³/MIN	mm H ₂ O	in H ₂ O	Pa	dBA	(G)
LFD8025NX12S	12	7.0-13.8	0.50	6.00	4000	54.14	1.53	6.35	0.25	62	40.0	58.0
LFD8025NX12H	12	7.0-13.8	0.40	4.80	3500	50.35	1.42	5.58	0.22	55	36.0	58.0
LFD8025NX12M	12	7.0-13.8	0.30	3.60	3000	39.98	1.13	3.55	0.14	35	31.0	58.0
LFD8025NX12L	12	7.0-13.8	0.20	2.40	2500	35.67	1.01	2.79	0.11	27	25.0	58.0
LFD8025NX12E	12	7.0-13.8	0.10	1.20	2000	27.39	0.78	1.78	0.07	17	22.0	58.0
LFD8025NX24S	24	14.0-27.6	0.40	9.60	4000	54.14	1.53	6.35	0.25	62	40.0	58.0
LFD8025NX24H	24	14.0-27.6	0.30	7.20	3500	50.35	1.42	5.58	0.22	55	36.0	58.0
LFD8025NX24M	24	14.0-27.6	0.20	4.80	3000	39.98	1.13	3.55	0.14	35	31.0	58.0
LFD8025NX24L	24	14.0-27.6	0.15	3.60	2500	35.67	1.01	2.79	0.11	27	25.0	58.0
LFD8025NX24E	24	14.0-27.6	0.10	2.40	2000	27.39	0.78	1.78	0.07	17	22.0	58.0
LFD8025NX48S	48	28.0-56.0	0.30	14.40	4000	54.14	1.53	6.35	0.25	62	40.0	58.0
LFD8025NX48H	48	28.0-56.0	0.25	12.00	3500	50.35	1.42	5.58	0.22	55	36.0	58.0
LFD8025NX48M	48	28.0-56.0	0.20	9.60	3000	39.98	1.13	3.55	0.14	35	31.0	58.0
LFD8025NX48L	48	28.0-56.0	0.15	7.20	2500	35.67	1.01	2.79	0.11	27	25.0	58.0

* X refers to bearing type and can be B or S (B: ball bearing; S: sleeve bearing)