

60x60x30mm
2.36"x2.36"x1.18"

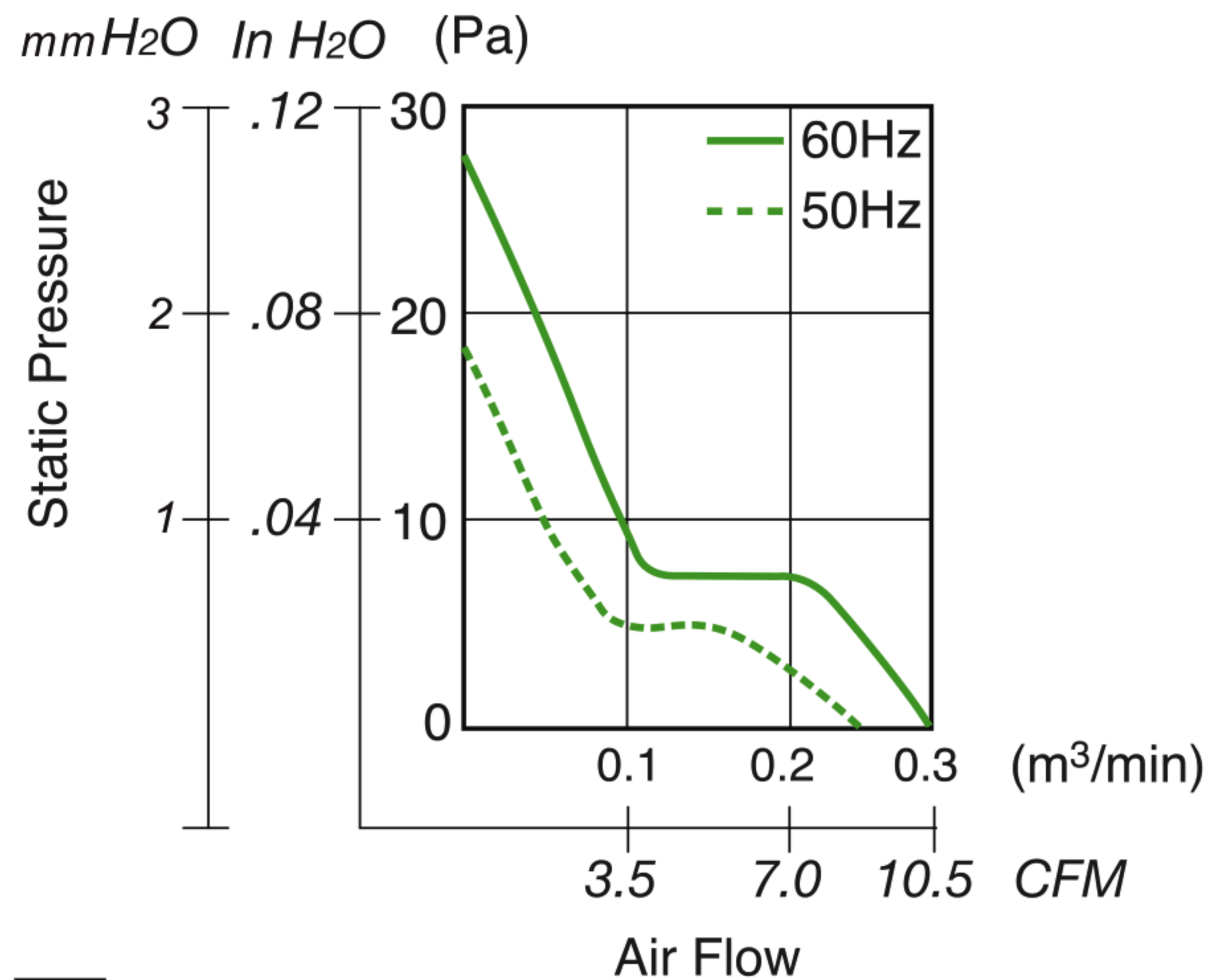
GENERAL SPECIFICATIONS

Motor Structure: Shaded Pole Induction Motor
 Motor Protection: Impedance Protection
 Insulation Type: CLASS B
 Dielectric Withstand Voltage: 50/60Hz, 1500VAC 1 MIN
 (Between Input Terminal and Frame)
 Allowable Ambient Temperature Range:
 -10°C ~ +70°C (Operating)
 -40°C ~ +70°C (Storage)
 (non-condensing environment)

MATERIAL

Casing : Aluminum Alloy
 Impeller : PBT+30% GF
 Bearing : Ball Bearing
 Lead Wire : AWG#22 UL1007 (Optional)

PERFORMANCE CURVES

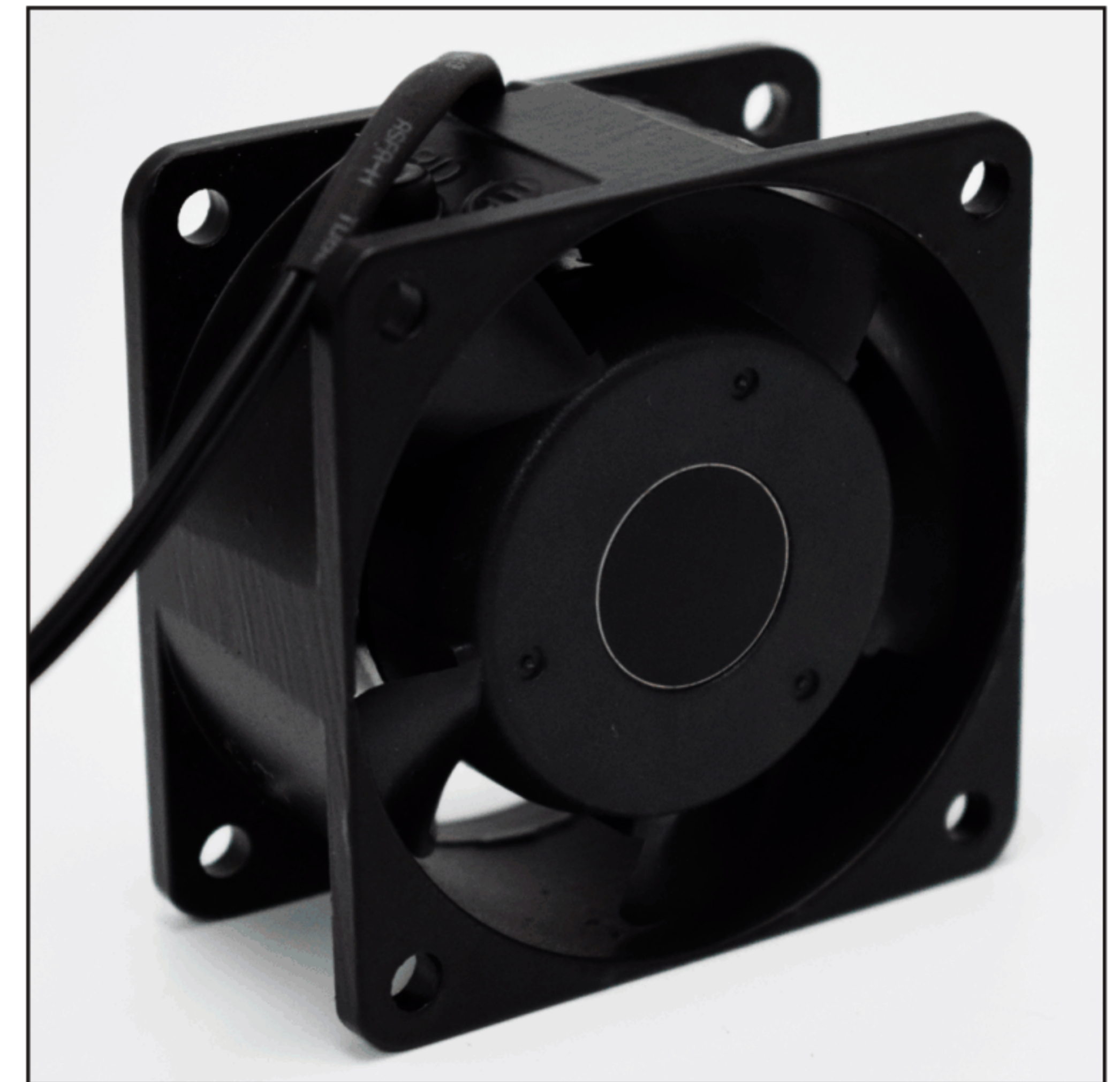


LIFE EXPECTANCY

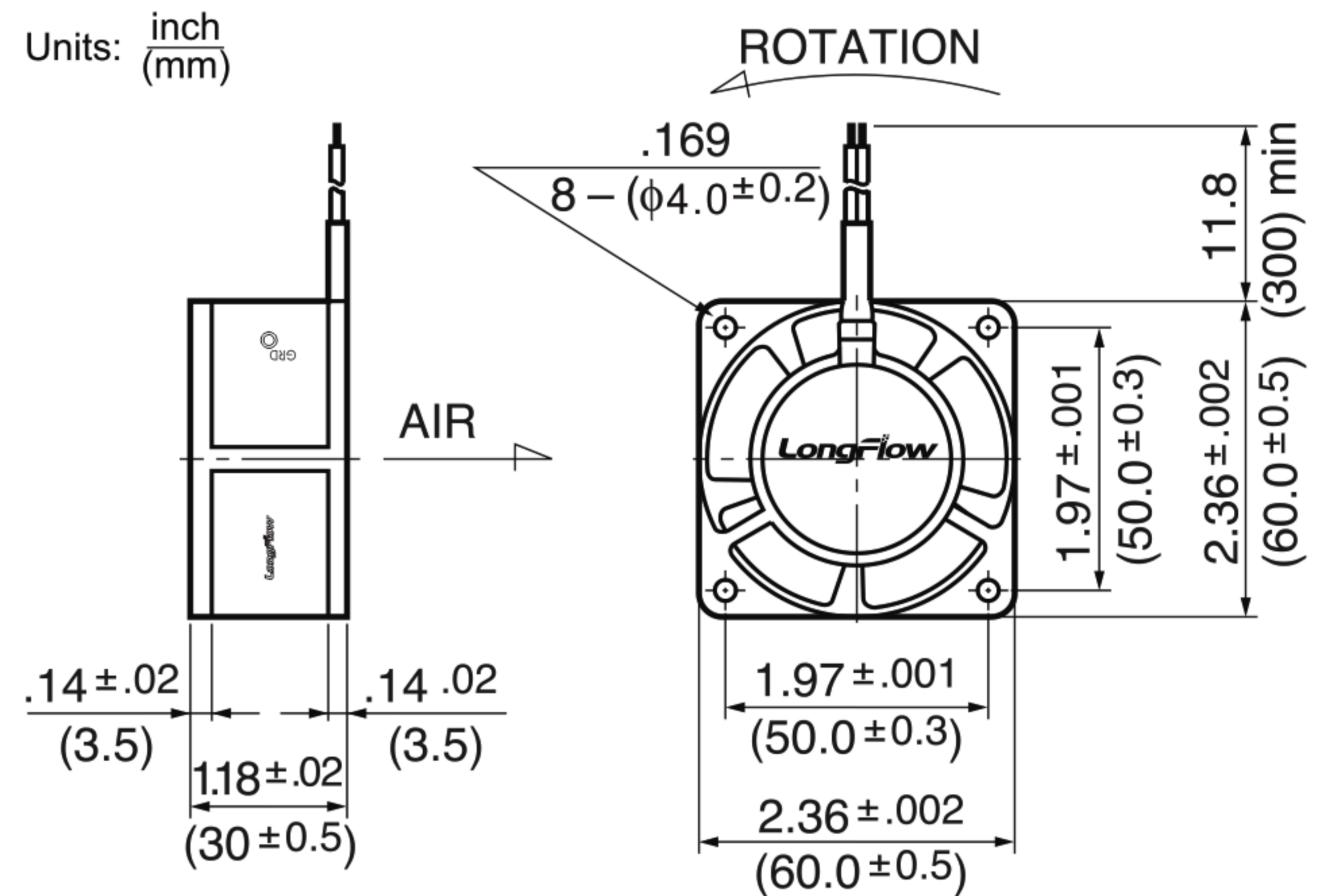
40°C 50,000 Hours

MODEL SPECIFICATIONS

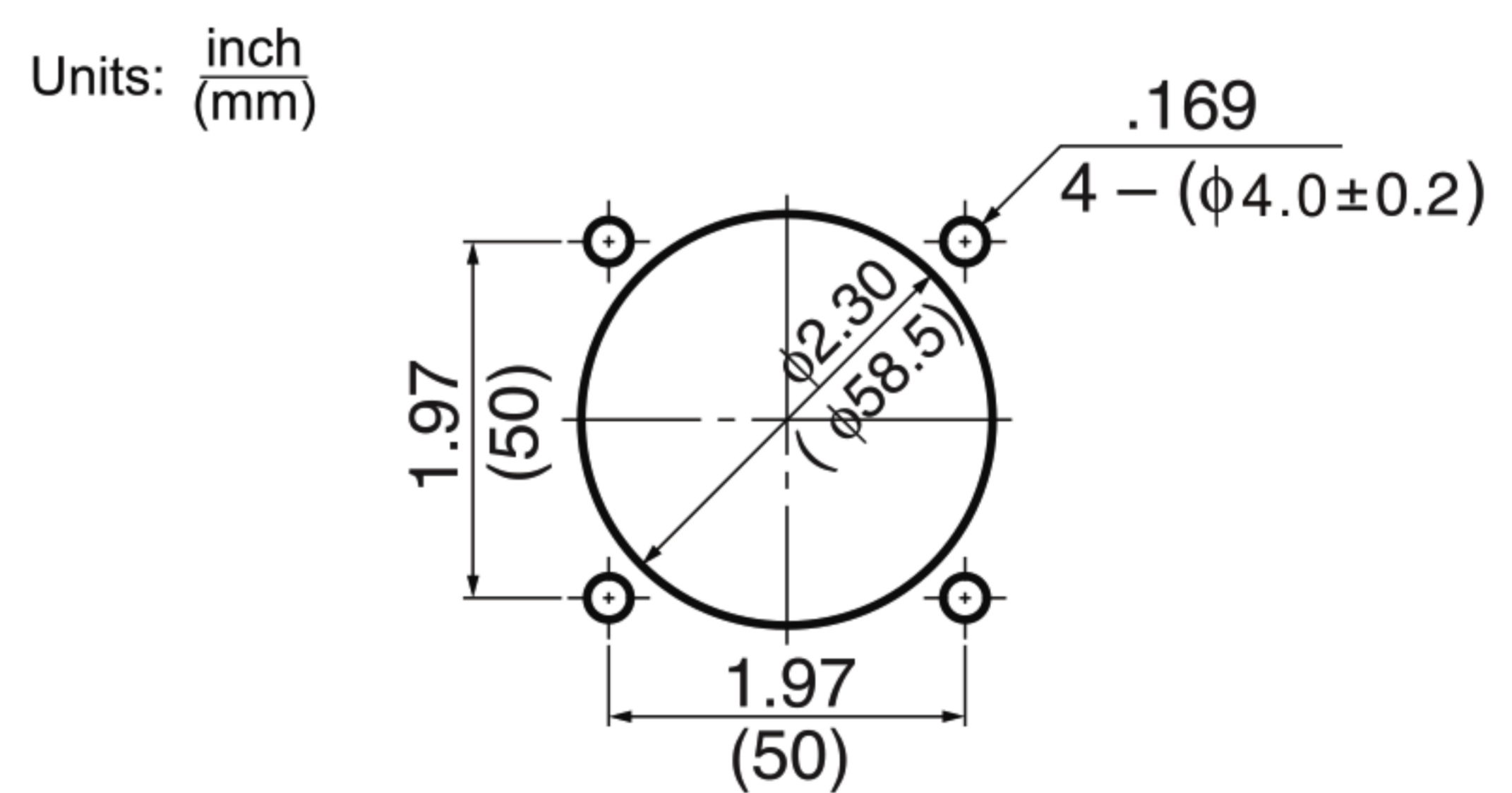
Model	Bearing ● Ball ○ SLEEVE	Rated Voltage (V)	Freq. (Hz)	Rated Current (A)	Input Power (W)	Speed RPM	Max. Air Flow		Max. Air Pressure			Noise Level dBA	Weight (G)
							CFM	M ³ /MIN	mm H ₂ O	in H ₂ O	Pa		
LFA6030AB11	●	110-120	50	0.042	5	2100	7.9	0.22	1.6	0.06	16	28	145
LFA6030AB11	●	110-120	60	0.035	4	2700	10	0.28	2.7	0.11	26	29	145
LFA6030AB23	●	220-240	50	0.022	5	2100	7.9	0.22	1.6	0.06	16	28	145
LFA6030AB23	●	220-240	60	0.020	4	2700	10	0.28	2.7	0.11	26	29	145



OUTLINE DRAWING



PANEL CUT-OUT



OUTLET SIDE / INLET SIDE

*Important Note: All specifications and descriptions are for reference only and may be subject to change without prior notice. Please contact us for any update or further information at marketing@ventilation-fan.com
 Copyright © 2009-2017 LONGFLOW All Rights Reserved.