

172x150x51mm
6.77"x5.00"x2.00"

AXIAL AC FANS

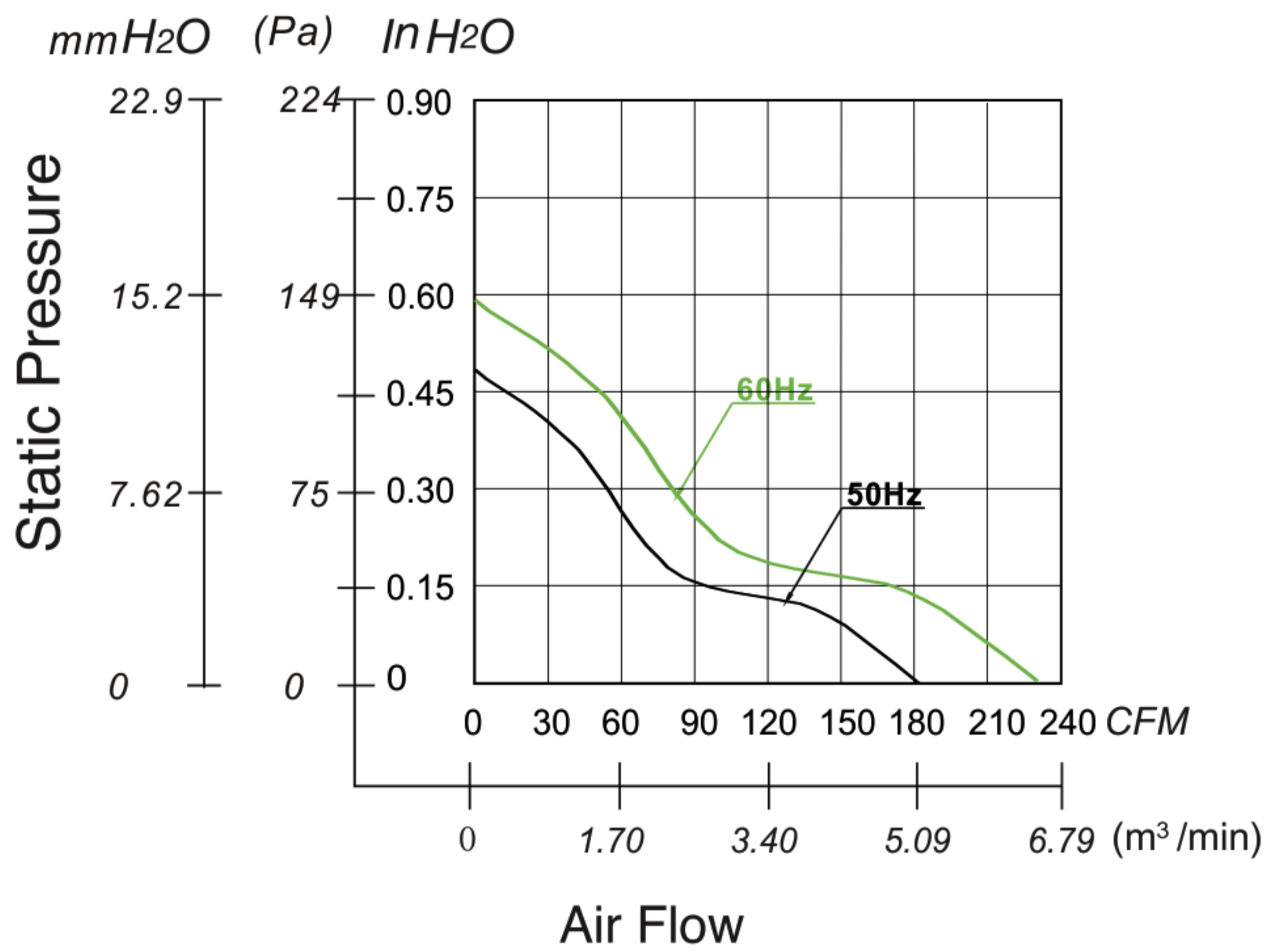
GENERAL SPECIFICATIONS

Motor Structure: Shaded Pole Induction Motor
 Motor Protection: Impedance Protection
 Insulation Type: CLASS B
 Dielectric Withstand Voltage: 50/60Hz, 1500VAC 1 MIN
 (Between Input Terminal and Frame)
 Allowable Ambient Temperature Range:
 -10°C ~ +70°C (Operating)
 -40°C ~ +70°C (Storage)
 (non-condensing environment)

MATERIAL

Casing : Aluminum Alloy
 Impeller : PBT+30% GF
 Bearing : Ball Bearing
 Lead Wire : AWG#20 UL1015 Black (Optional)

PERFORMANCE CURVES



LIFE EXPECTANCY

40°C Ball Bearing 50,000 Hours

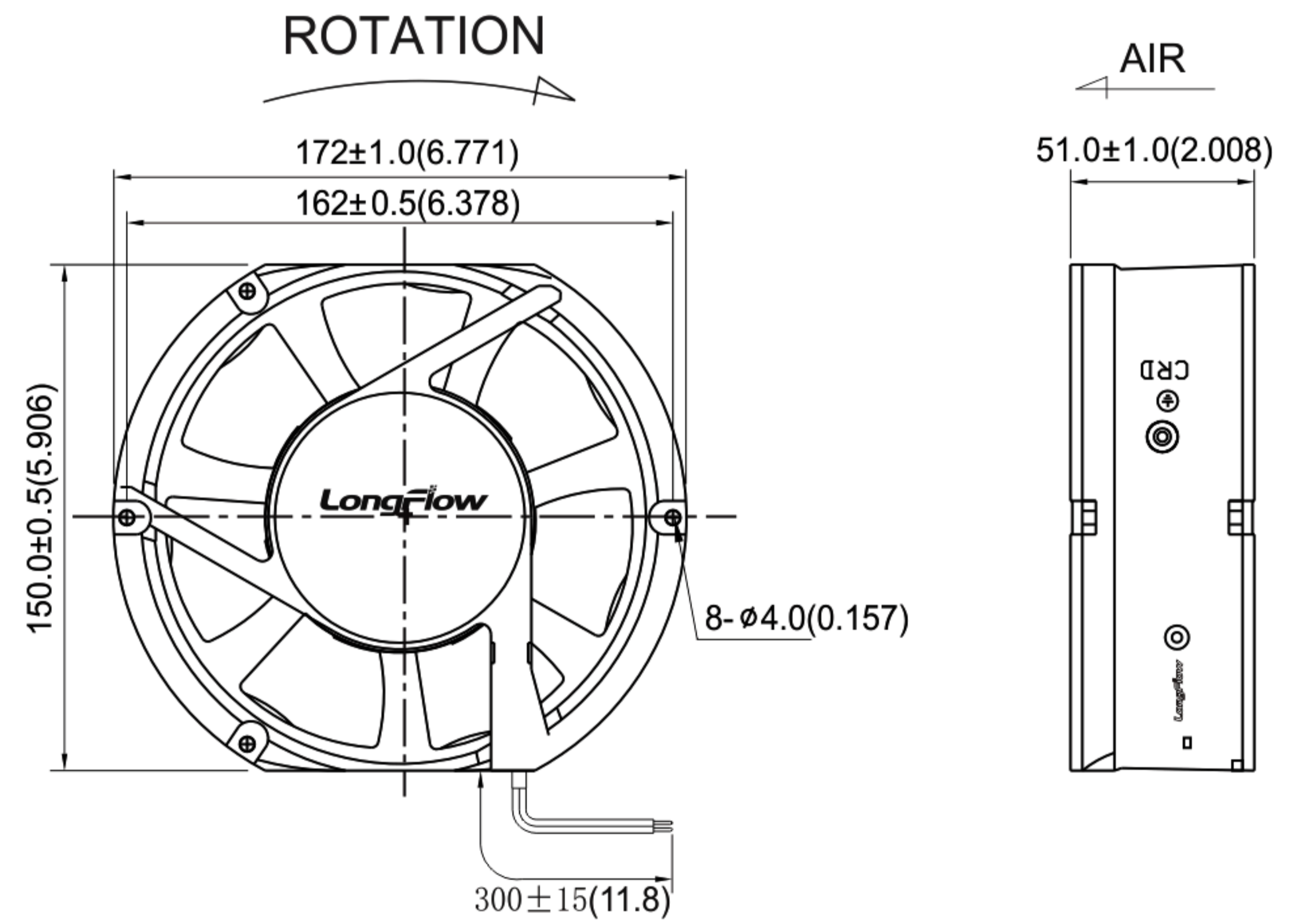
MODEL SPECIFICATIONS

Model	Bearing ● Ball ○ SLEEVE	Rated Voltage (V)	Freq. (Hz)	Rated Current (A)	Input Power (W)	Speed RPM	Noise Level dBA	Max. Air Flow [50/60Hz]				Max. Air Pressure[50/60Hz]				Weight (G)		
								CFM	M ³ /MIN	mm H ₂ O	in H ₂ O	Pa						
LFA1751AB11H	●	110-120	50/60	0.45	38/36	2400/2700	52/55	205	230	5.80	6.51	11.93	14.97	0.47	0.59	117	147	860
LFA1751AB23H	●	220-240	50/60	0.23	38/36	2400/2700	52/55	205	230	5.80	6.51	11.93	14.97	0.47	0.59	117	147	860



OUTLINE DRAWING

Units: mm(inch)



PANEL CUT-OUT

Units: mm(inch)

