



**Φ220x60mm**  
Φ8.66"x2.36"

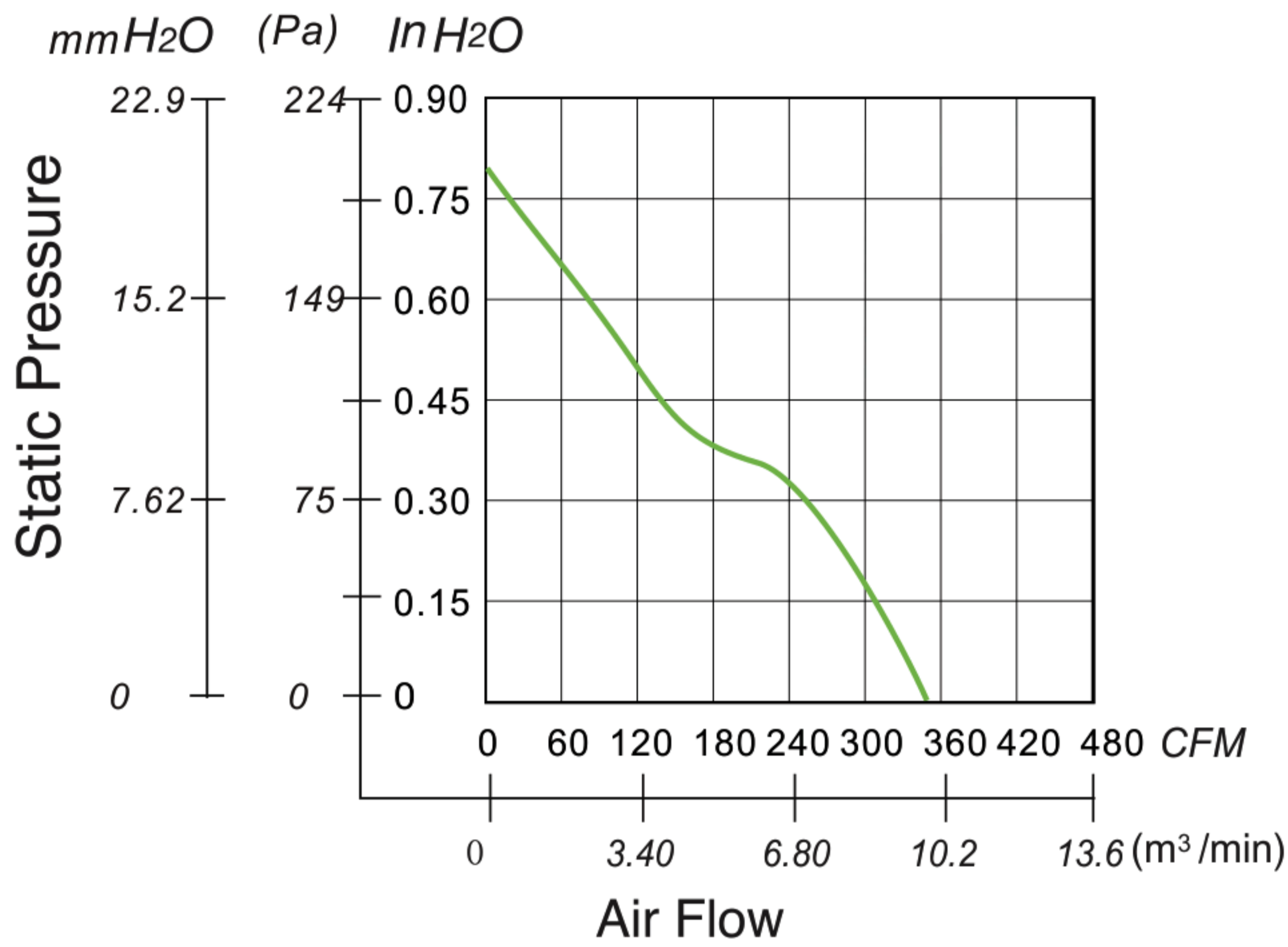
### GENERAL SPECIFICATIONS

Motor Structure: Capacitor-Run Induction Motor  
 Motor Protection: Impedance Protection  
 Insulation Type: CLASS B  
 Dielectric Withstand Voltage: 50/60Hz, 1500VAC 1 MIN  
 (Between Input Terminal and Frame)  
 Allowable Ambient Temperature Range:  
 -10°C ~ +70°C (Operating)  
 -40°C ~ +70°C (Storage)  
 (non-condensing environment)

### MATERIAL

Casing : Aluminum Alloy  
 Impeller : PBT+30% GF  
 Bearing : Ball Bearing  
 Lead Wire : AWG#20 UL1015 Black (Optional)

### PERFORMANCE CURVES



### LIFE EXPECTANCY

40°C Ball Bearing 50,000 Hours

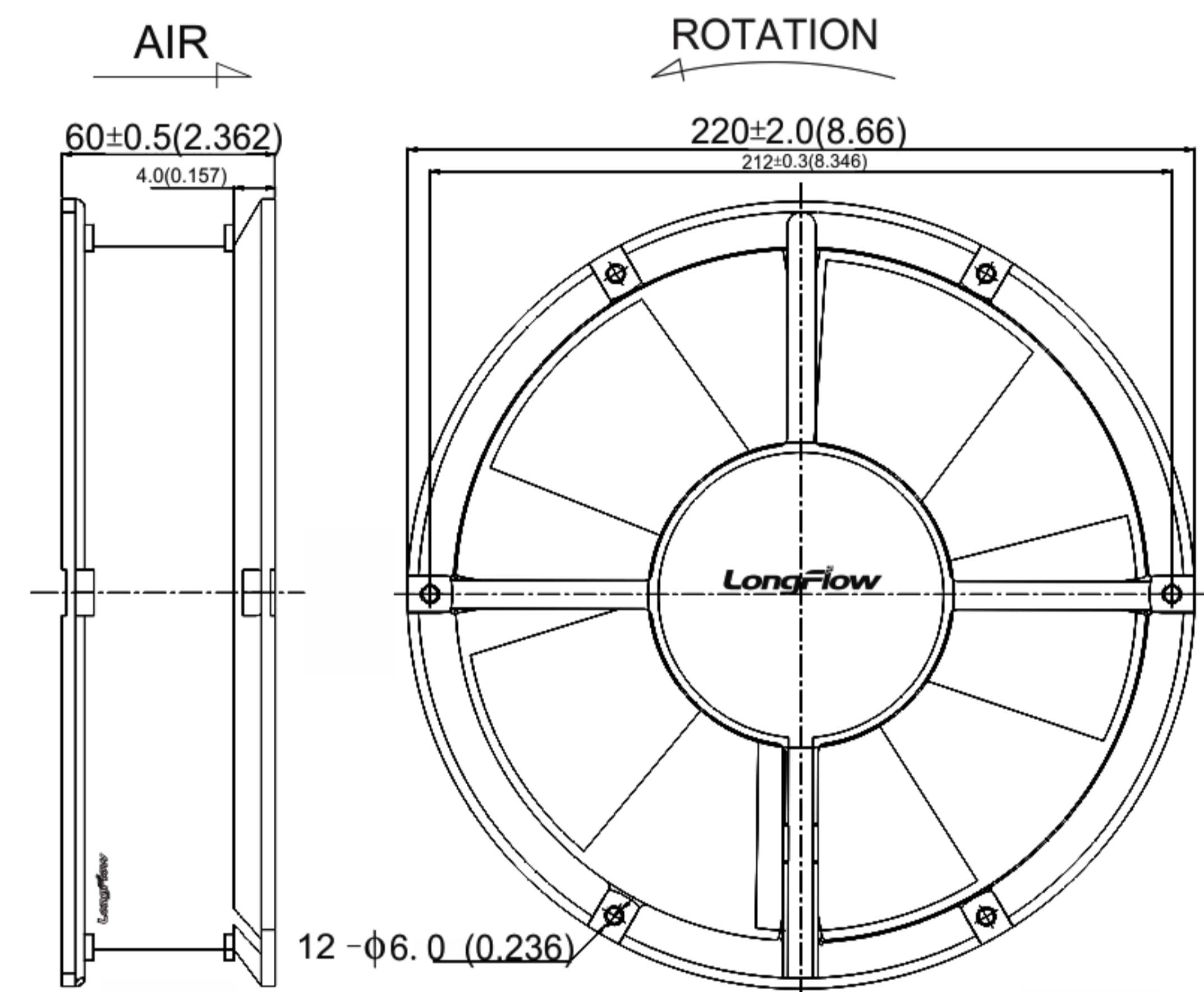
### MODEL SPECIFICATIONS

| Model       | Bearing<br>● Ball ○ SLEEVE | Rated Voltage<br>(V) | Freq.<br>(Hz) | Rated Current<br>(A) | Input Power<br>(W) | Speed<br>RPM | Noise Level<br>dBA | Max. Air Flow [50/60Hz] |                     | Max. Air Pressure[50/60Hz] |                     |       | Weight<br>(G) |      |      |     |     |      |
|-------------|----------------------------|----------------------|---------------|----------------------|--------------------|--------------|--------------------|-------------------------|---------------------|----------------------------|---------------------|-------|---------------|------|------|-----|-----|------|
|             |                            |                      |               |                      |                    |              |                    | CFM                     | M <sup>3</sup> /MIN | mm H <sub>2</sub> O        | in H <sub>2</sub> O | Pa    |               |      |      |     |     |      |
| LFA2260AB11 | ●                          | 110-120              | 50/60         | 0.30                 | 65                 | 2300         | 54                 | 350                     | 350                 | 9.91                       | 9.91                | 20.30 | 20.30         | 0.80 | 0.80 | 199 | 199 | 1540 |
| LFA2260AB23 | ●                          | 220-240              | 50/60         | 0.45                 | 65                 | 2300         | 54                 | 350                     | 350                 | 9.91                       | 9.91                | 20.30 | 20.30         | 0.80 | 0.80 | 199 | 199 | 1540 |



### OUTLINE DRAWING

Units: mm(inch)



### PANEL CUT-OUT

Units: mm(inch)

