

70x70x15mm
2.80"x2.80"x0.60"

GENERAL SPECIFICATIONS

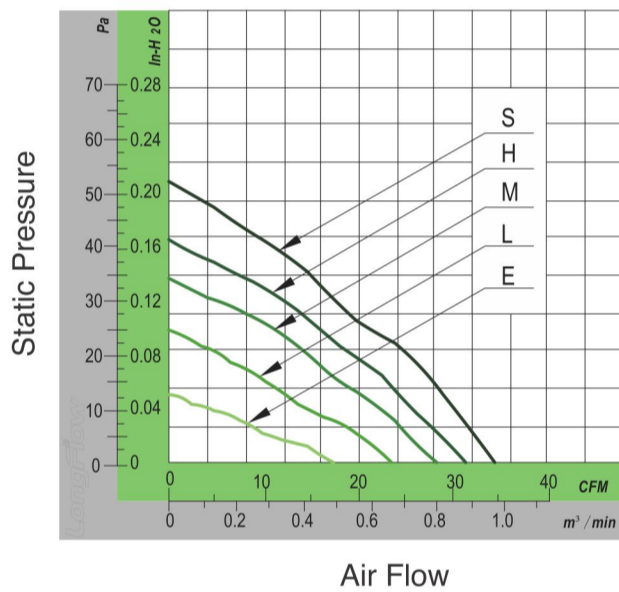
Motor Structure: Brushless DC Motor
 Motor Protection: Auto-Restart | Polarity Protection(Optional)
 Allowable Ambient Temperature Range:
 -10°C ~ +70°C (Operating)
 -40°C ~ +70°C (Storage)
 (non-condensing environment)
 Safety Standard: UL | TUV | ROHS | CE (Optional)
 Customized Fan Features: FG | RD | IP56|PWM (Optional)



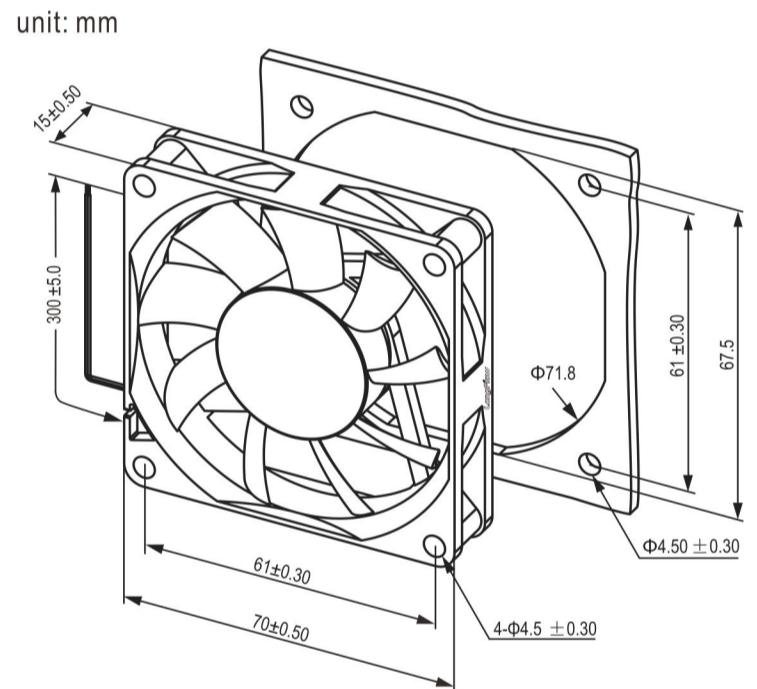
MATERIAL

Frame : Plastic (UL94V-0)
 Impeller : Plastic (UL94V-0)
 Bearing&Expected Life:
 Sleeve Bearing 30,000hrs (40°C);
 Ball Bearing 70,000hrs (40°C)
 Lead Wire : UL1007AWG#24 or Equivalent (+) Red, (-) Black

PERFORMANCE CURVES



OUTLINE DRAWING



MODEL SPECIFICATIONS

Model	Rated Voltage	Operating Voltage	Input Current	Input Power	Speed	Max. Air Flow		Max. Air Pressure			Noise Level	Weight
	(V)	(V)	(A)	(W)	RPM	CFM	M³/MIN	mm H ₂ O	in H ₂ O	Pa	dBA	(G)
LFD7015NX12S	12	7.0-13.8	0.45	5.40	4500	34.95	0.99	5.33	0.21	52	41.0	48.0
LFD7015NX12H	12	7.0-13.8	0.40	4.80	4000	31.28	0.89	4.06	0.16	40	36.0	48.0
LFD7015NX12M	12	7.0-13.8	0.30	3.60	3500	28.48	0.81	3.55	0.14	35	33.0	48.0
LFD7015NX12L	12	7.0-13.8	0.20	2.40	3000	23.95	0.68	2.54	0.10	25	28.0	48.0
LFD7015NX12E	12	7.0-13.8	0.15	1.80	2500	17.45	0.49	1.27	0.05	12	26.0	48.0
LFD7015NX24S	24	14.0-27.6	0.30	7.20	4500	34.95	0.99	5.33	0.21	52	41.0	48.0
LFD7015NX24H	24	14.0-27.6	0.28	6.72	4000	31.28	0.89	4.06	0.16	40	36.0	48.0
LFD7015NX24M	24	14.0-27.6	0.25	6.00	3500	28.48	0.81	3.55	0.14	35	33.0	48.0
LFD7015NX24L	24	14.0-27.6	0.20	4.80	3000	23.95	0.68	2.54	0.10	25	28.0	48.0
LFD7015NX24E	24	14.0-27.6	0.15	3.60	2500	17.45	0.49	1.27	0.05	12	26.0	48.0

* X refers to bearing type and can be B or S (B: ball bearing; S: sleeve bearing)