

40x40x28mm
1.60"x1.60"x1.10"

GENERAL SPECIFICATIONS

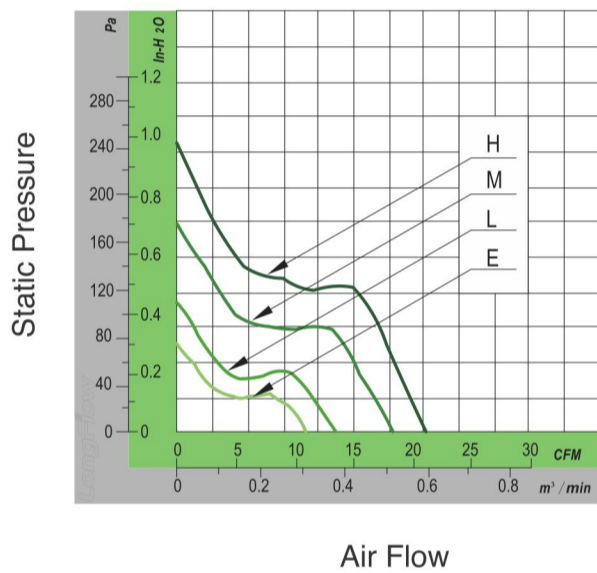
Motor Structure: Brushless DC Motor
 Motor Protection: Auto-Restart | Polarity Protection(Optional)
 Allowable Ambient Temperature Range:
 -10°C ~ +70°C (Operating)
 -40°C ~ +70°C (Storage)
 (non-condensing environment)
 Safety Standard: UL | TUV | ROHS | CE (Optional)
 Customized Fan Features: FG | RD | IP56 (Optional)



MATERIAL

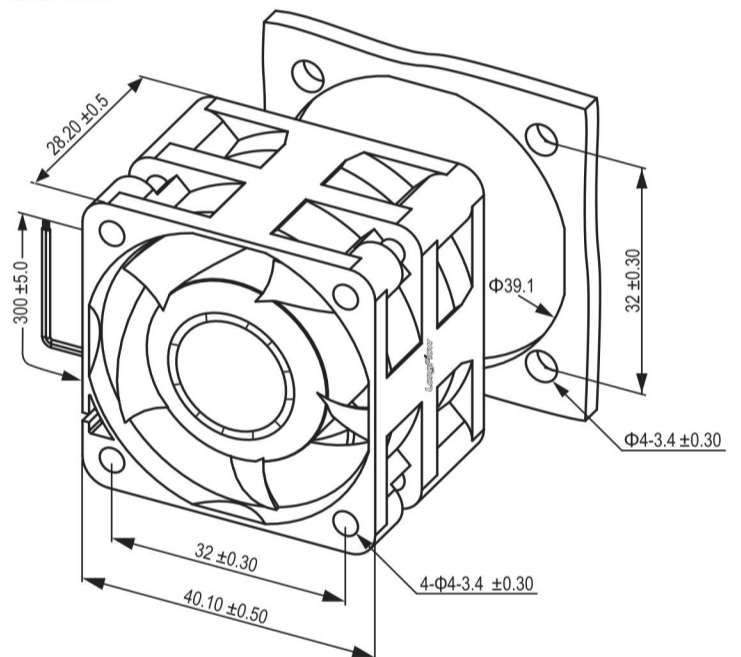
Frame : Plastic (UL94V-0)
 Impeller : Plastic (UL94V-0)
 Bearing&Expected Life:
 Ball Bearing 70,000hrs (40°C)
 Lead Wire : UL1007AWG#24 or Equivalent (+) Red, (-) Black

PERFORMANCE CURVES



OUTLINE DRAWING

unit: mm



MODEL SPECIFICATIONS

Model	Rated Voltage	Operating Voltage	Input Current	Input Power	Speed	Max. Air Flow		Max. Air Pressure			Noise Level	Weight
	(V)	(V)	(A)	(W)	RPM	CFM	M³/MIN	mm H ₂ O	in H ₂ O	Pa	dBA	(G)
LFD4028PB12H	12	7.0-13.8	0.65	7.80	15000	21.45	0.61	24.87	0.98	244	58.0	40.0
LFD4028PB12M	12	7.0-13.8	0.45	5.40	13000	18.30	0.52	17.77	0.70	174	50.0	40.0
LFD4028PB12L	12	7.0-13.8	0.25	3.00	10000	13.40	0.38	10.66	0.42	105	42.0	40.0
LFD4028PB12E	12	7.0-13.8	0.17	2.04	8000	10.94	0.31	7.36	0.29	72	39.0	40.0
LFD4028PB24H	24	14.0-27.6	0.35	8.40	15000	21.45	0.61	24.87	0.98	244	58.0	40.0
LFD4028PB24M	24	14.0-27.6	0.25	6.00	13000	18.30	0.52	17.77	0.70	174	50.0	40.0
LFD4028PB24L	24	14.0-27.6	0.14	3.36	10000	13.40	0.38	10.66	0.42	105	42.0	40.0
LFD4028PB24E	24	14.0-27.6	0.11	2.64	8000	10.94	0.31	7.36	0.29	72	39.0	40.0