

120x120x25mm
4.72"x4.72"x1.00"

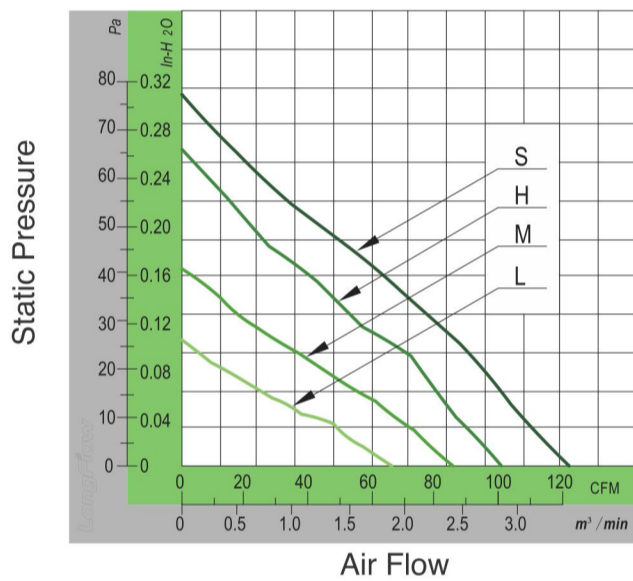
GENERAL SPECIFICATIONS

Motor Structure: Brushless DC Motor
 Motor Protection:
 Auto-Restart | Polarity Protection(Optional)
 Allowable Ambient Temperature Range:
 -10°C ~ +70°C (Operating)
 -40°C ~ +70°C (Storage)
 (non-condensing environment)
 Safety Standard: UL | TUV | ROHS | CE (Optional)
 Customized Fan Features: FG | RD | IP56|PWM (Optional)

MATERIAL

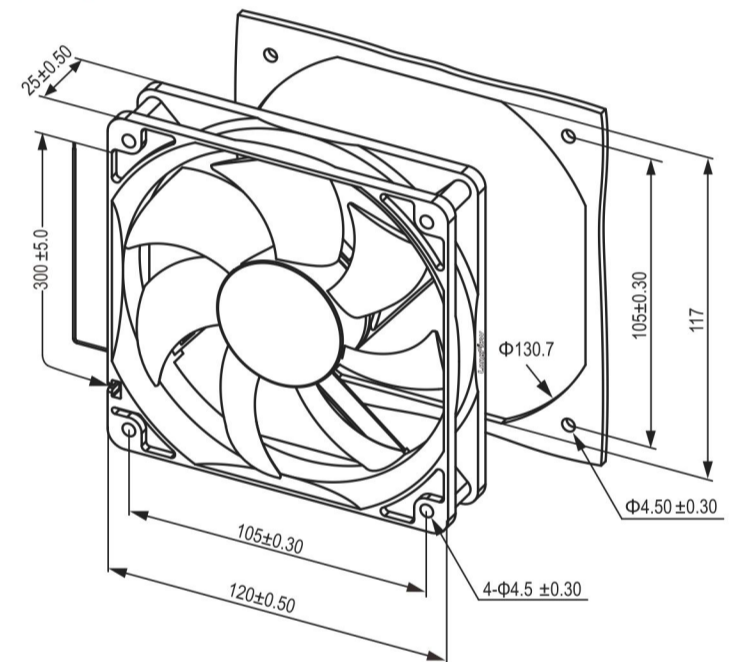
Frame : Plastic (UL94V-0)
 Impeller : Plastic (UL94V-0)
 Bearing&Expected Life:
 Sleeve Bearing 30,000hrs (40°C);
 Ball Bearing 70,000hrs (40°C)
 Lead Wire : UL1007AWG#24 or Equivalent (+) Red, (-) Black

PERFORMANCE CURVES



OUTLINE DRAWING

unit: mm



MODEL SPECIFICATIONS

Model	Rated Voltage	Operating Voltage	Input Current	Input Power	Speed	Max. Air Flow		Max. Air Pressure			Noise Level	Weight
	(V)	(V)	(A)	(W)	RPM	CFM	M ³ /MIN	mm H ₂ O	in H ₂ O	Pa	dBA	(G)
LFD1225NX12S	12	7.0-13.8	0.80	9.60	3500	122.12	3.46	7.87	0.31	77	49.0	140.0
LFD1225NX12H	12	7.0-13.8	0.50	6.00	3000	103.92	2.94	6.09	0.24	60	44.0	140.0
LFD1225NX12M	12	7.0-13.8	0.40	4.80	2500	86.65	2.45	4.57	0.18	45	39.0	140.0
LFD1225NX12L	12	7.0-13.8	0.20	2.40	2000	67.01	1.90	2.54	0.10	25	35.0	140.0
LFD1225NX24S	24	14.0-27.6	0.50	12.00	3500	122.12	3.46	7.87	0.31	77	49.0	140.0
LFD1225NX24H	24	14.0-27.6	0.40	9.60	3000	103.92	2.94	6.09	0.24	60	44.0	140.0
LFD1225NX24M	24	14.0-27.6	0.25	6.00	2500	86.65	2.45	4.57	0.18	45	39.0	140.0
LFD1225NX24L	24	14.0-27.6	0.15	3.60	2000	67.01	1.90	2.54	0.10	25	35.0	140.0
LFD1225NX48S	48	28.0-56.0	0.40	19.20	3500	122.12	3.46	7.87	0.31	77	49.0	140.0
LFD1225NX48H	48	28.0-56.0	0.30	14.40	3000	103.92	2.94	6.09	0.24	60	44.0	140.0
LFD1225NX48M	48	28.0-56.0	0.20	9.60	2500	86.65	2.45	4.57	0.18	45	39.0	140.0
LFD1225NX48L	48	28.0-56.0	0.10	4.80	2000	67.01	1.90	2.54	0.10	25	35.0	140.0

* X refers to bearing type and can be B or S (B: ball bearing; S: sleeve bearing)