

120x120x38mm
4.72"x4.72"x1.50"

GENERAL SPECIFICATIONS

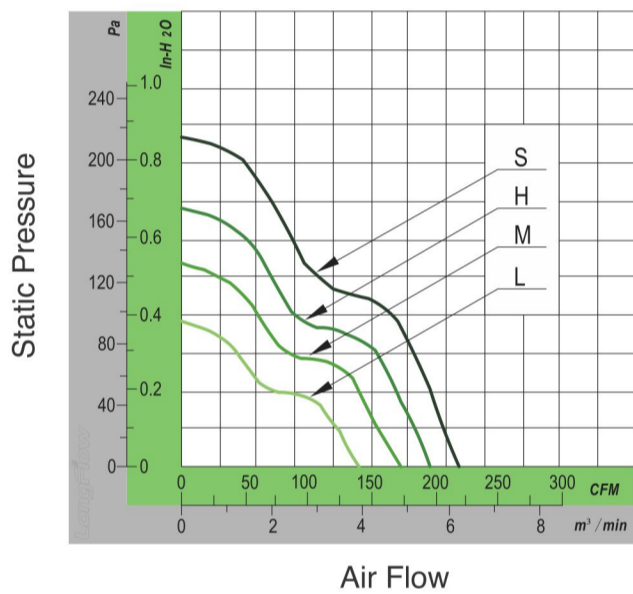
Motor Structure: Brushless DC Motor
 Motor Protection:
 Auto-Restart | Polarity Protection | Soft Start
 Allowable Ambient Temperature Range:
 -10°C ~ +70°C (Operating)
 -40°C ~ +70°C (Storage)
 (non-condensing environment)
 Safety Standard: UL | TUV | ROHS | CE (Optional)
 Customized Fan Features: FG | RD | IP56 | PWM (Optional)

MATERIAL

Frame : Plastic (UL94V-0)
 Impeller : Plastic (UL94V-0)
 Bearing & Expected Life:
 Ball Bearing 70,000hrs (40°C)
 Lead Wire : UL1007AWG#24 or Equivalent (+) Red, (-) Black

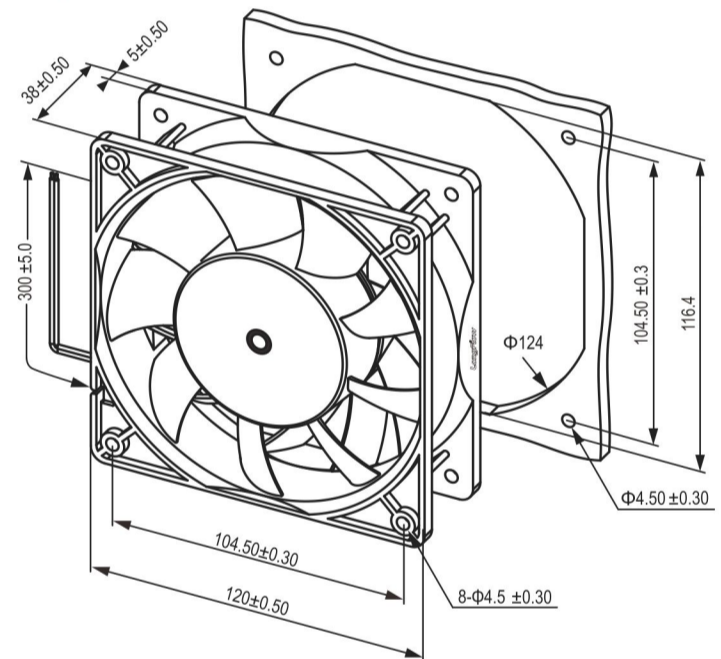


PERFORMANCE CURVES



OUTLINE DRAWING

unit: mm



MODEL SPECIFICATIONS

Model	Rated Voltage	Operating Voltage	Input Current	Input Power	Speed	Max. Air Flow		Max. Air Pressure			Noise Level	Weight
	(V)	(V)	(A)	(W)	RPM	CFM	M ³ /MIN	mm H ₂ O	in H ₂ O	Pa	dBA	(G)
LFD1238PB12S	12	7.0-13.8	3.30	39.60	4500	222.31	6.29	21.83	0.86	214	64.0	289.0
LFD1238PB12H	12	7.0-13.8	2.50	30.00	4000	193.50	5.48	17.01	0.67	167	60.0	289.0
LFD1238PB12M	12	7.0-13.8	1.60	19.20	3500	173.33	4.91	13.71	0.54	134	55.0	289.0
LFD1238PB12L	12	7.0-13.8	1.00	12.00	3000	145.98	4.13	9.90	0.39	97	50.0	289.0
LFD1238PB24S	24	14.0-27.6	2.00	48.00	4500	222.31	6.29	21.83	0.86	214	64.0	289.0
LFD1238PB24H	24	14.0-27.6	1.00	24.00	4000	193.50	5.48	17.01	0.67	167	60.0	289.0
LFD1238PB24M	24	14.0-27.6	0.70	16.80	3500	173.33	4.91	13.71	0.54	134	55.0	289.0
LFD1238PB24L	24	14.0-27.6	0.50	12.00	3000	145.98	4.13	9.90	0.39	97	50.0	289.0
LFD1238PB48S	48	28.0-56.0	1.00	48.00	4500	222.31	6.29	21.83	0.86	214	64.0	289.0
LFD1238PB48H	48	28.0-56.0	0.60	28.80	4000	193.50	5.48	17.01	0.67	167	60.0	289.0
LFD1238PB48M	48	28.0-56.0	0.50	24.00	3500	173.33	4.91	13.71	0.54	134	55.0	289.0
LFD1238PB48L	48	28.0-56.0	0.40	19.20	3000	145.98	4.13	9.90	0.39	97	50.0	289.0