

92x92x25mm
3.62"x3.62"x1.00"

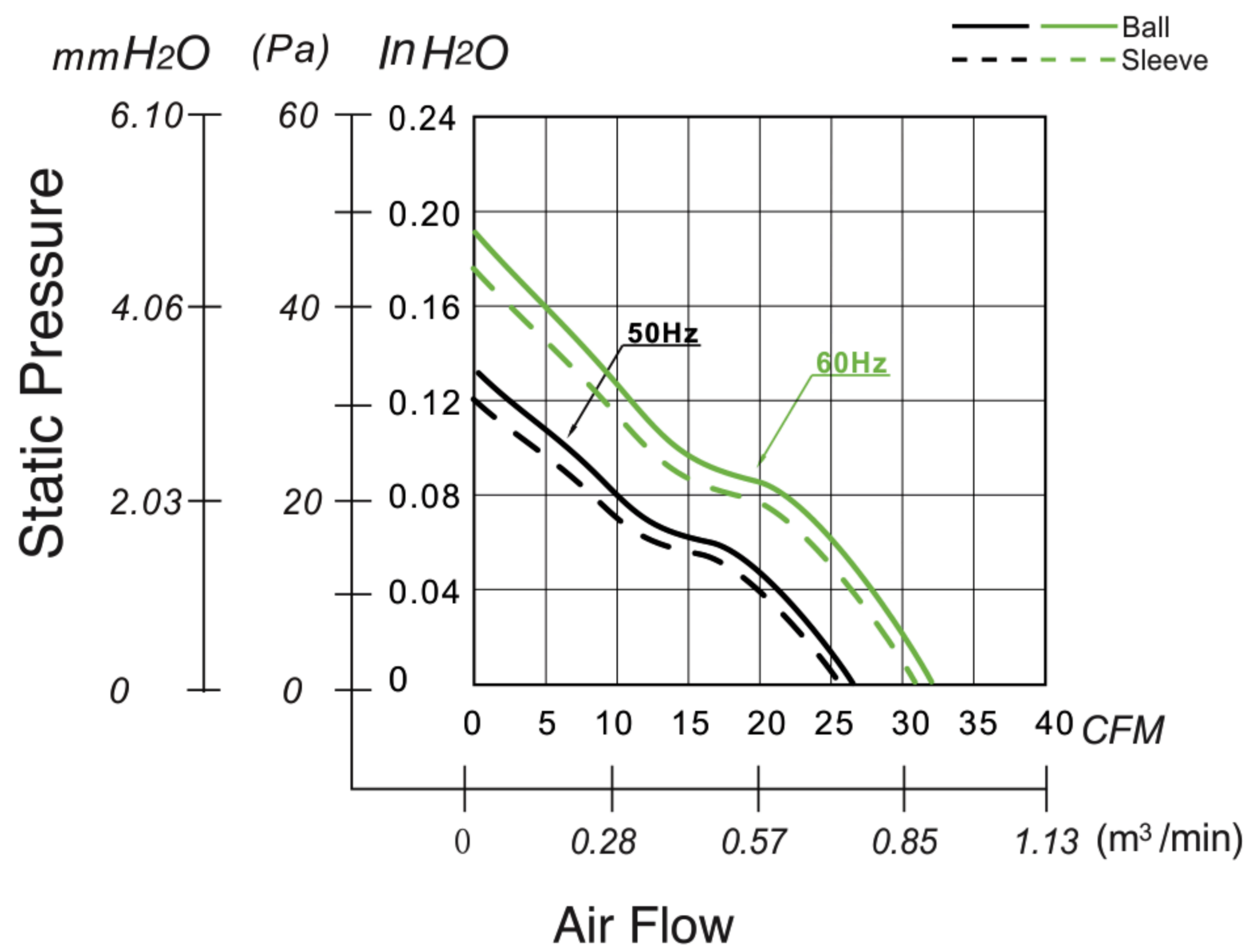
GENERAL SPECIFICATIONS

Motor Structure: Shaded Pole Induction Motor
 Motor Protection: Impedance Protection
 Insulation Type: CLASS B
 Dielectric Withstand Voltage: 50/60Hz, 1500VAC 1 MIN
 (Between Input Terminal and Frame)
 Allowable Ambient Temperature Range:
 -10°C ~ +70°C (Operating)
 -40°C ~ +70°C (Storage)
 (non-condensing environment)

MATERIAL

Casing : Aluminum Alloy
 Impeller : PBT+30% GF
 Bearing : Sleeve Bearing or Ball Bearing
 Lead Wire : AWG#22 UL1007 Black (Optional)

PERFORMANCE CURVES



LIFE EXPECTANCY

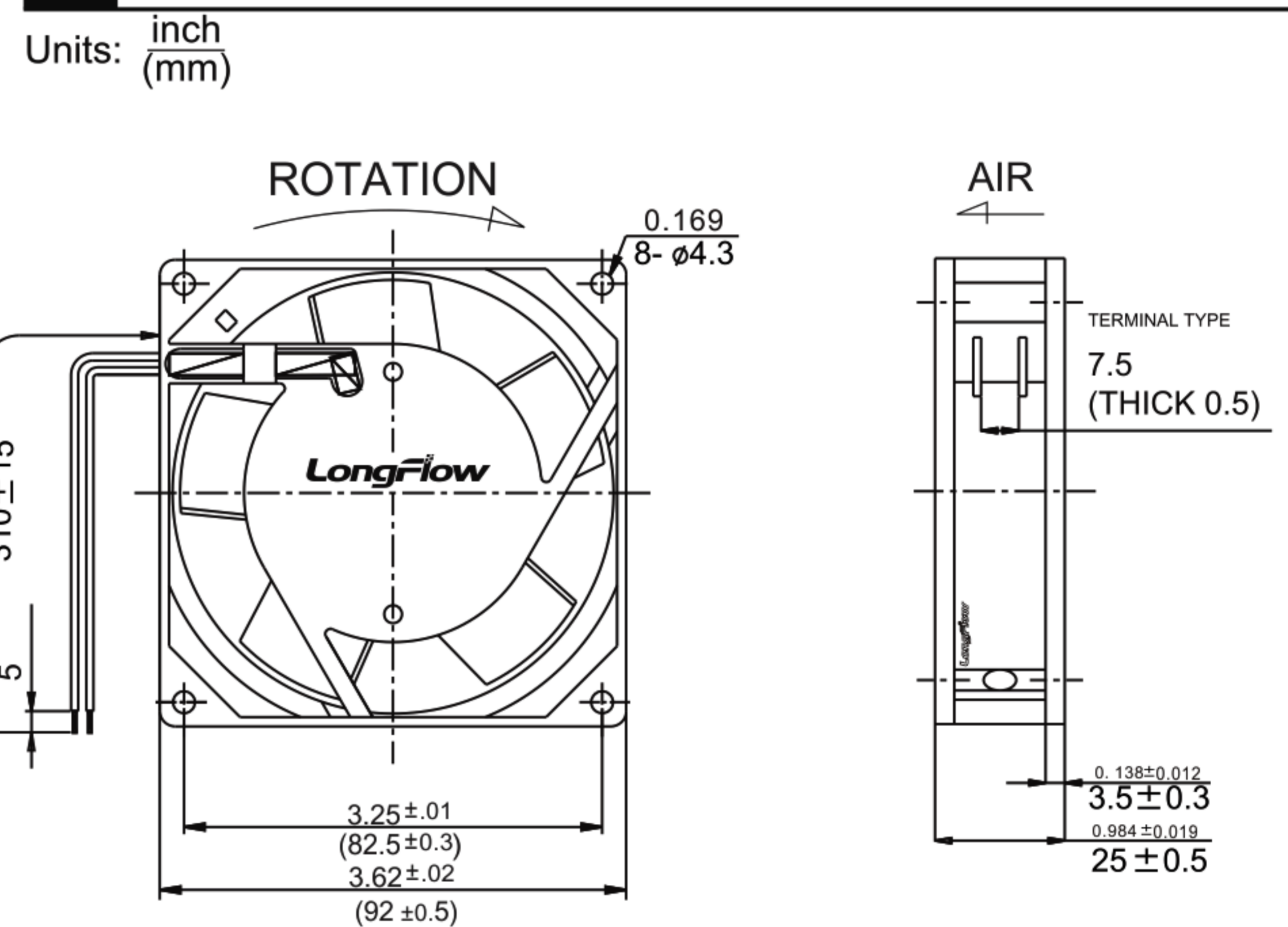
40°C Sleeve Bearing 30,000 Hours
 40°C Ball Bearing 50,000 Hours

MODEL SPECIFICATIONS

Model	Bearing ● Ball ○ SLEEVE	Rated Voltage (V)	Freq. (Hz)	Rated Current (A)	Input Power (W)	Speed RPM	Noise Level dBA	Max. Air Flow [50/60Hz]				Max. Air Pressure[50/60Hz]				Weight (G)		
								CFM	M ³ /MIN	mm H ₂ O	in H ₂ O	Pa	Pa					
LFA9225AS11	○	110-120	50/60	0.14/0.12	15/12	2200/2600	36/40	26	31	0.74	0.88	4.5	6.5	0.12	0.18	44	64	280
LFA9225AS23	○	220-240	50/60	0.07/0.06	15/12	2200/2600	36/40	26	31	0.74	0.88	4.5	6.5	0.12	0.18	44	64	280
LFA9225AB11	●	110-120	50/60	0.14/0.12	15/12	2250/2650	37/41	27	32	0.76	0.91	4.5	6.5	0.13	0.19	44	64	280
LFA9225AB23	●	220-240	50/60	0.07/0.06	15/12	2250/2650	37/41	27	32	0.76	0.91	4.5	6.5	0.13	0.19	44	64	280



OUTLINE DRAWING



PANEL CUT-OUT

