



180x180x60mm
7.09"x7.09"x2.36"

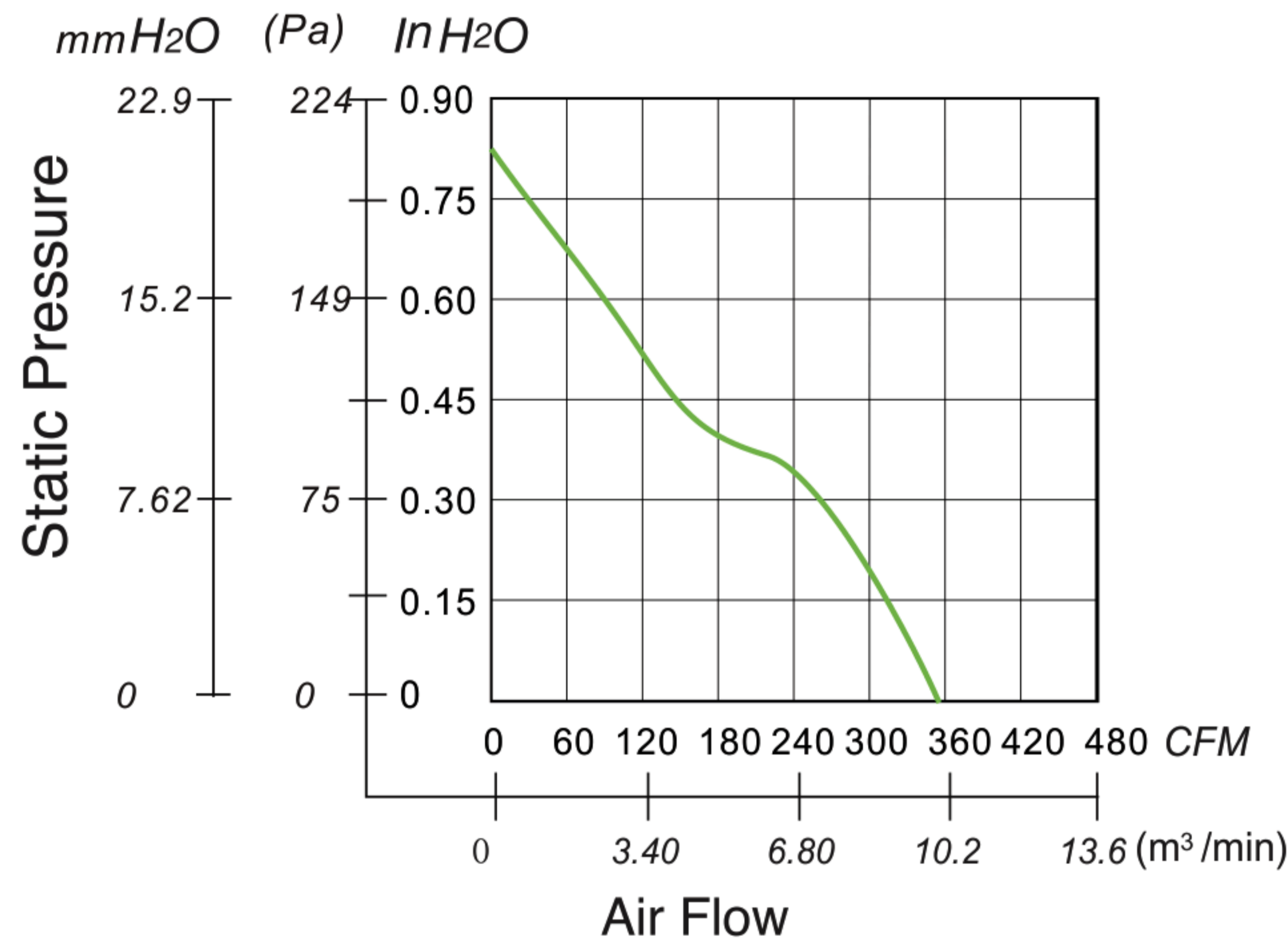
GENERAL SPECIFICATIONS

Motor Structure: Capacitor-Run Induction Motor
 Motor Protection: Impedance Protection
 Insulation Type: CLASS B
 Dielectric Withstand Voltage: 50/60Hz, 1500VAC 1 MIN
 (Between Input Terminal and Frame)
 Allowable Ambient Temperature Range:
 -10°C ~ +70°C (Operating)
 -40°C ~ +70°C (Storage)
 (non-condensing environment)

MATERIAL

Casing : Aluminum Alloy
 Impeller : PBT+30% GF
 Bearing : Ball Bearing
 Lead Wire : AWG#20 UL1015 Black (Optional)

PERFORMANCE CURVES



LIFE EXPECTANCY

40°C Ball Bearing 50,000 Hours

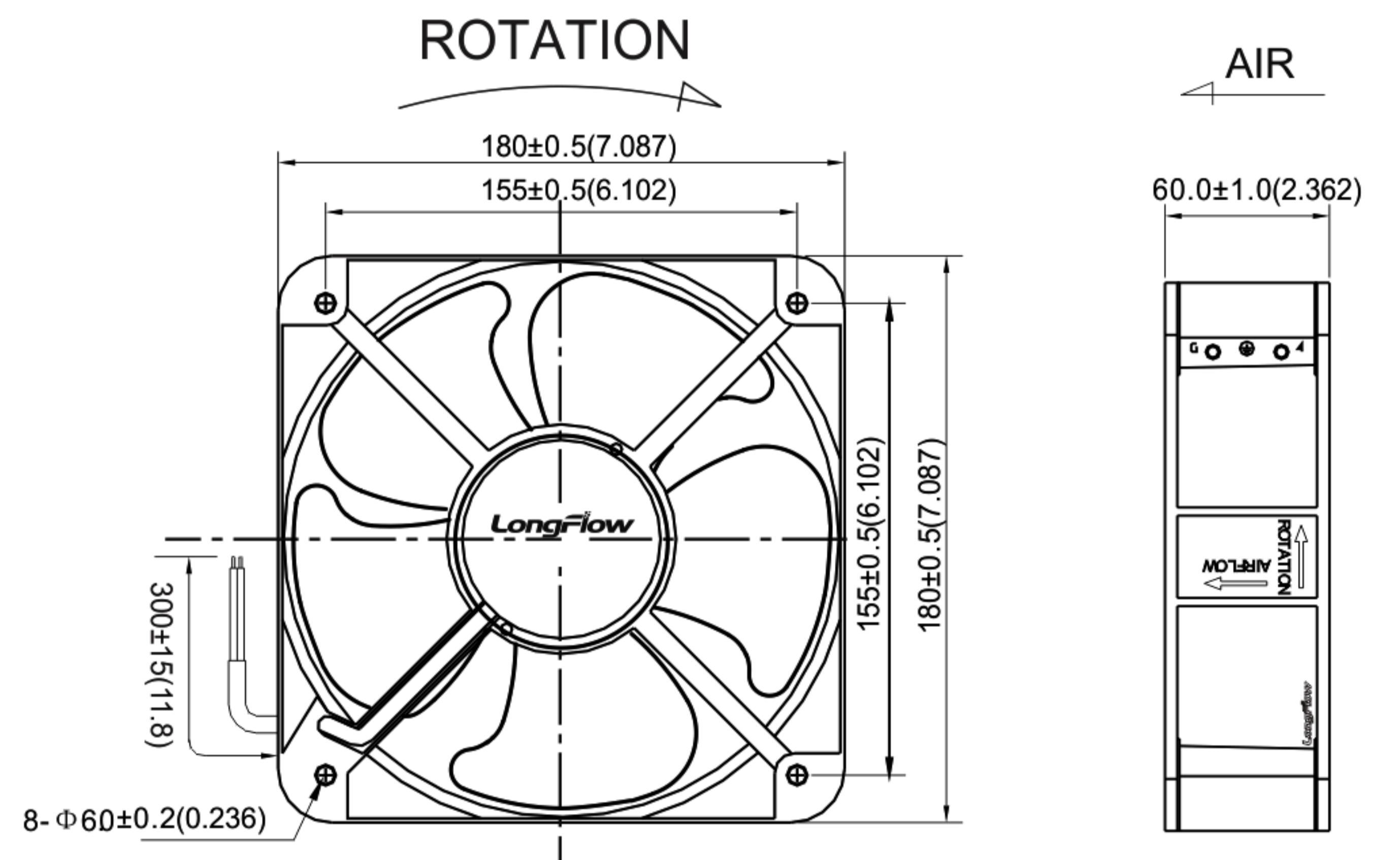
MODEL SPECIFICATIONS

Model	Bearing ● Ball ○ SLEEVE	Rated Voltage (V)	Freq. (Hz)	Rated Current (A)	Input Power (W)	Speed RPM	Noise Level dBA	Max. Air Flow [50/60Hz]				Max. Air Pressure[50/60Hz]				Weight (G)		
								CFM	M ³ /MIN	mm H ₂ O	in H ₂ O	Pa	Pa					
LFA1860AB11	●	110-120	50/60	0.70	50	2700	60	350	350	9.91	9.91	215.74	215.74	8.50	8.50	2116	2116	950
LFA1860AB23	●	220-240	50/60	0.35	50	2700	60	350	350	9.91	9.91	215.74	215.74	8.50	8.50	2116	2116	950



OUTLINE DRAWING

Units: mm(inch)



PANEL CUT-OUT

Units: mm(inch)

