



**120x120x38mm**  
4.72"x4.72"x1.50"

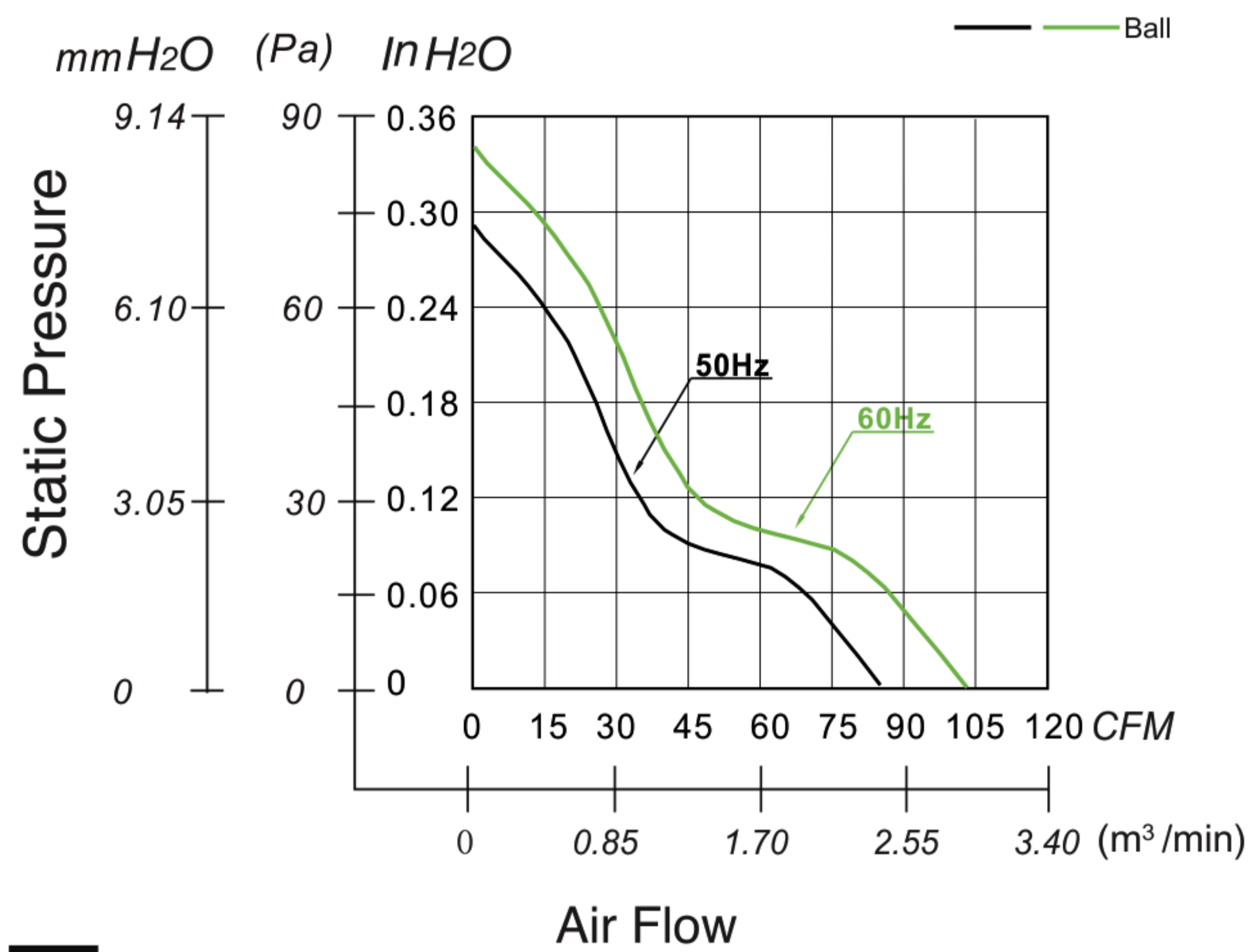
### GENERAL SPECIFICATIONS

Motor Structure: Shaded Pole Induction Motor  
 Motor Protection: Impedance Protection  
 Insulation Type: CLASS B  
 Dielectric Withstand Voltage: 50/60Hz, 1500VAC 1 MIN  
 (Between Input Terminal and Frame)  
 Allowable Ambient Temperature Range:  
 -10°C ~ +70°C (Operating)  
 -40°C ~ +70°C (Storage)  
 (non-condensing environment)

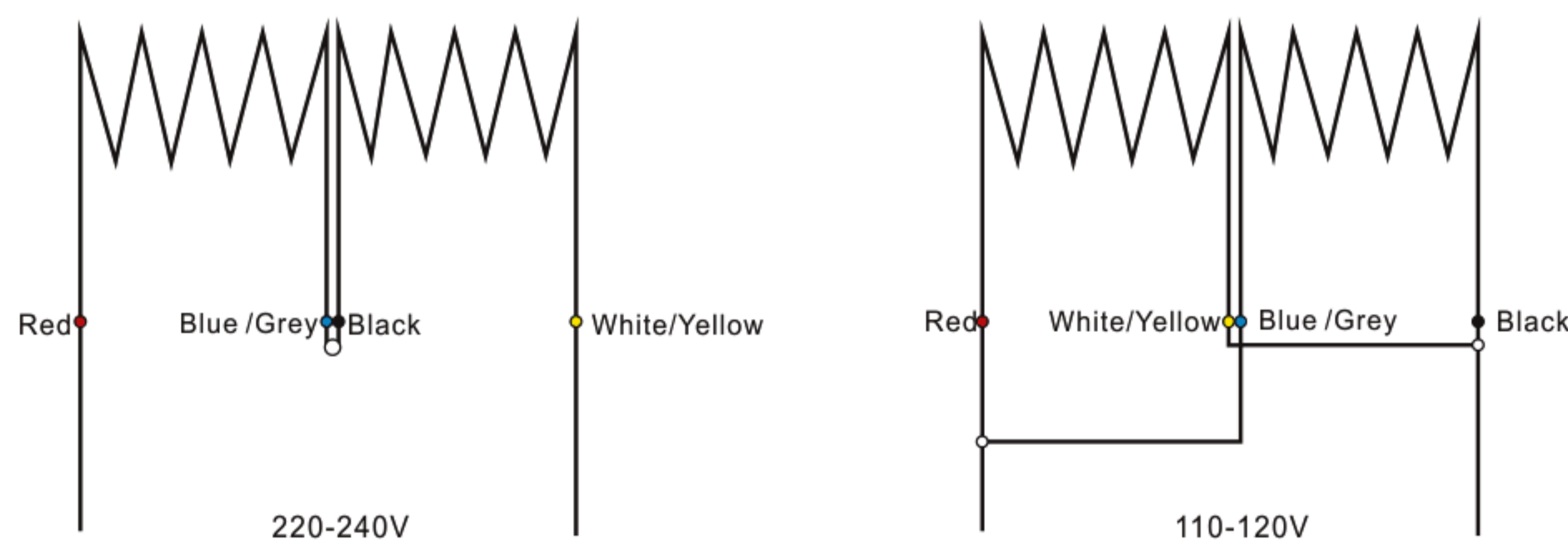
### MATERIAL

Casing : Aluminum Alloy  
 Impeller : PBT+30% GF  
 Bearing : Ball Bearing(50,000hours)  
 Lead Wire : AWG#22 UL1007 /4 Wires

### PERFORMANCE CURVES



### WIRING DIAGRAM



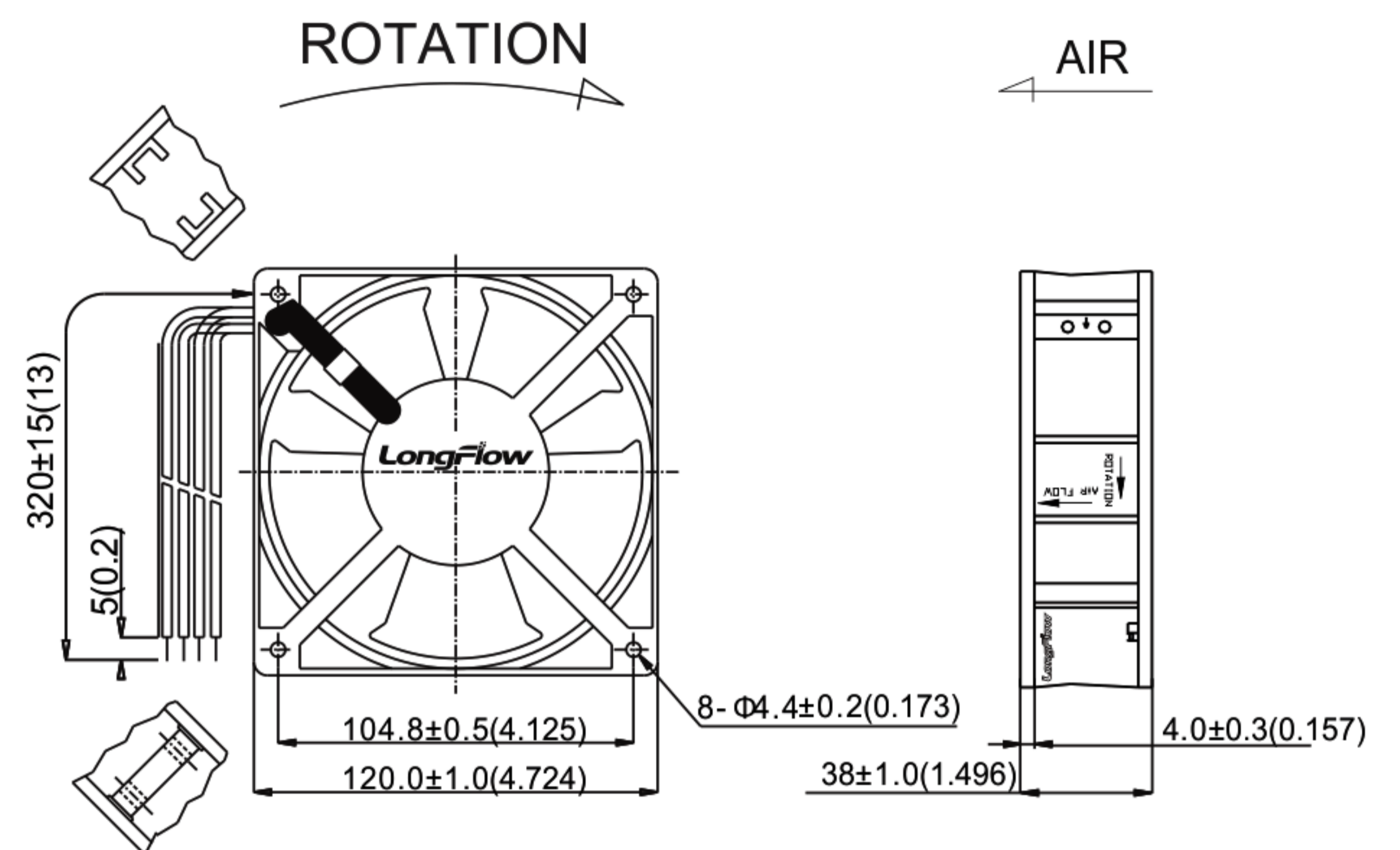
### MODEL SPECIFICATIONS

Model	Bearing ● Ball ○ SLEEVE	Rated Voltage (V)	Freq. (Hz)	Rated Current (A)	Input Power (W)	Speed RPM	Noise Level dBA	Max. Air Flow [50 60Hz]				Max. Air Pressure[50 60Hz]				Weight (G)		
								CFM	M <sup>3</sup> MIN	mm H <sub>2</sub> O	in H <sub>2</sub> O	Pa						
LFA1238AB12	●	110-120	50/60	0.24/0.21	23/20	2600/3000	40/43	85	100	2.41	2.83	7.11	8.88	0.28	0.35	70	87	470
		220-240	50/60	0.14/0.11	23/20	2600/3000	40/43	85	100	2.41	2.83	7.11	8.88	0.28	0.35	70	87	470



### OUTLINE DRAWING

Units: mm(inch)



### PANEL CUT-OUT

Units: mm(inch)

