

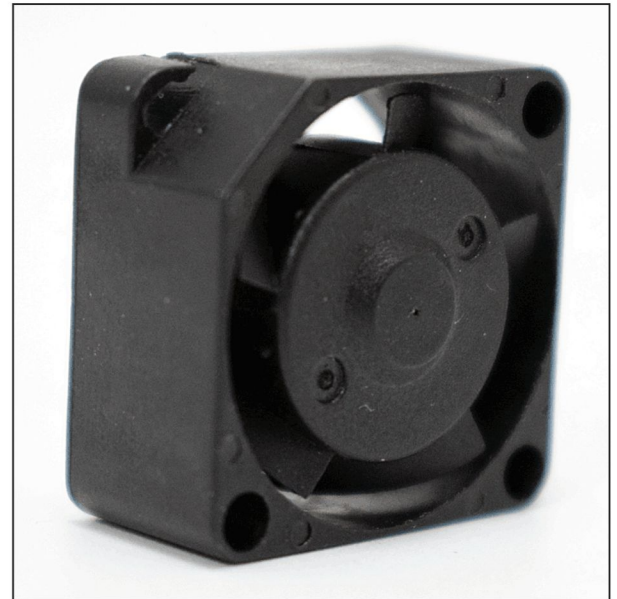
20x20x10mm
0.80"x0.80"x0.40"

GENERAL SPECIFICATIONS

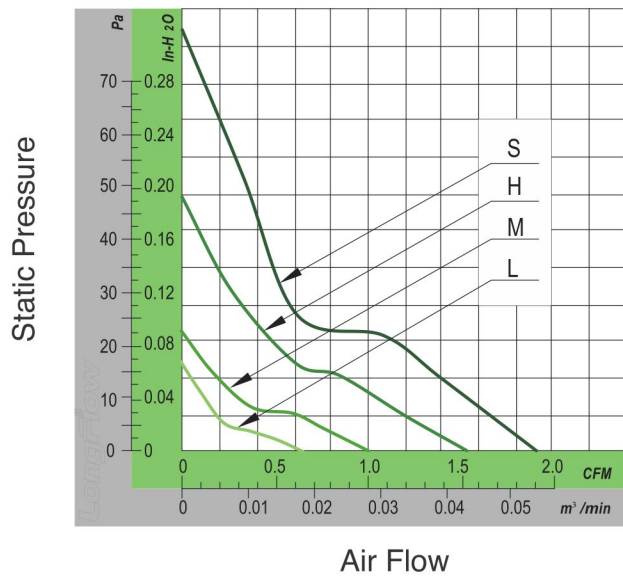
Motor Structure: Brushless DC Motor
 Motor Protection: Auto-Restart | Polarity Protection(Optional)
 Allowable Ambient Temperature Range:
 -10°C ~ +70°C (Operating)
 -40°C ~ +70°C (Storage)
 (non-condensing environment)
 Safety Standard: UL | TUV | ROHS | CE (Optional)
 Customized Fan Features: FG | RD | IP56 (Optional)

MATERIAL

Frame : Plastic (UL94V-0)
 Impeller : Plastic (UL94V-0)
 Bearing&Expected Life:
 Sleeve Bearing 30,000hrs (40°C)
 Lead Wire : UL1571AWG#28 or Equivalent (+) Red, (-) Black

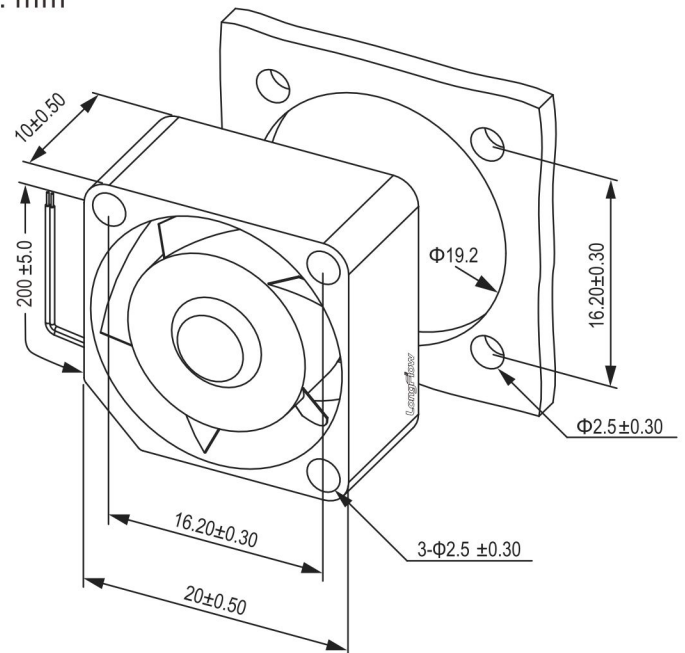


PERFORMANCE CURVES



OUTLINE DRAWING

unit: mm



MODEL SPECIFICATIONS

Model	Rated Voltage	Operating Voltage	Input Current	Input Power	Speed	Max. Air Flow		Max. Air Pressure			Noise Level	Weight
	(V)	(V)	(A)	(W)	RPM	CFM	M ³ /MIN	mm H ₂ O	in H ₂ O	Pa	dBA	(G)
LFD2010NS05S	5	3.5-5.5	0.20	1.00	20000	1.84	0.05	8.12	0.32	80	30.0	5.0
LFD2010NS05H	5	3.5-5.5	0.13	0.65	15000	1.52	0.04	4.82	0.19	47	27.0	5.0
LFD2010NS05M	5	3.5-5.5	0.10	0.50	10000	1.00	0.03	2.28	0.09	22	22.0	5.0
LFD2010NS05L	5	3.5-5.5	0.07	0.35	8000	0.66	0.02	1.52	0.06	15	21.0	5.0
LFD2010NS12S	12	7.0-13.8	0.07	1.00	20000	1.84	0.05	8.12	0.32	80	30.0	5.0
LFD2010NS12H	12	7.0-13.8	0.05	0.65	15000	1.52	0.04	4.82	0.19	47	27.0	5.0
LFD2010NS12M	12	7.0-13.8	0.03	0.50	10000	1.00	0.03	2.28	0.09	22	22.0	5.0