



**120x120x38mm**  
4.72"x4.72"x1.50"

### GENERAL SPECIFICATIONS

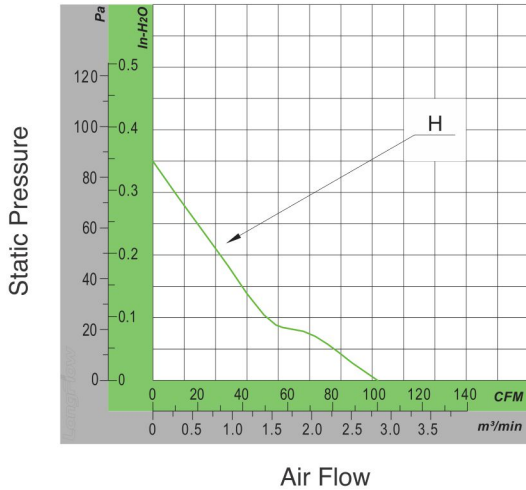
Motor Structure: EC (Electronically Commutated) Motor or Efficient DC Motor with Integrated AC to DC Converter  
 Motor Protection: Auto-Restart | Soft-Start (Optional)  
 Dielectric Strength: 50/60Hz 1500VAC 1min Between Input Terminal and Frame  
 Allowable Ambient Temperature Range: -20°C ~ +70°C (Operating) -40°C ~ +70°C (Storage) (non-condensing environment)  
 Safety Standard: UL | TUV | ROHS | CE (Optional)

### MATERIAL

Frame : Plastic (UL94V-0)  
 Impeller : Plastic (UL94V-0)  
 Bearing & Expected Life:  
 Sleeve Bearing 30,000hrs / Ball Bearing 70,000hrs (40°C)  
 Lead Wire : UL1007AWG#24 300mm

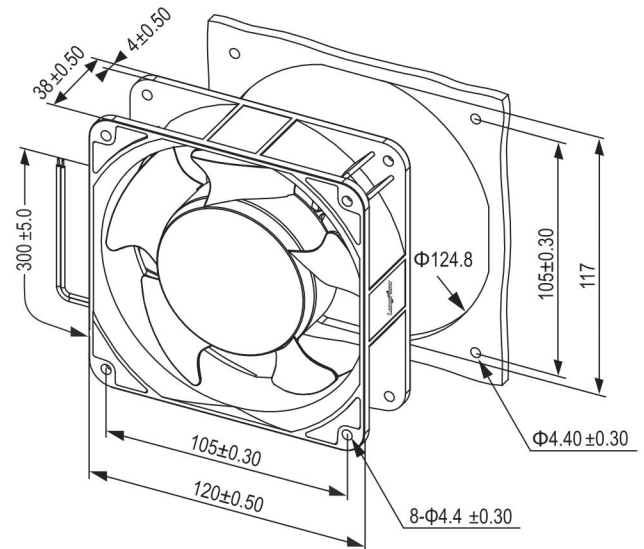


### PERFORMANCE CURVES



### OUTLINE DRAWING

unit: mm



### MODEL SPECIFICATIONS

Model	Bearing	Rated Voltage	Freq.	Rated Current	Input Power	Speed	Max. Air Flow		Max. Air Pressure			Noise Level	Weight
	● Ball ◎ SLEEVE	(V)	(Hz)	(A)	(W)	RPM	CFM	M³/MIN	mm H <sub>2</sub> O	in H <sub>2</sub> O	Pa	dBA	(G)
LFE1238NB23H	●	220-240	50/60	0.07	7.0	3000	100.0	2.83	8.88	0.35	87	43	290
LFE1238NS23H	◎	220-240	50/60	0.07	7.0	3000	100.0	2.83	8.88	0.35	87	43	290