

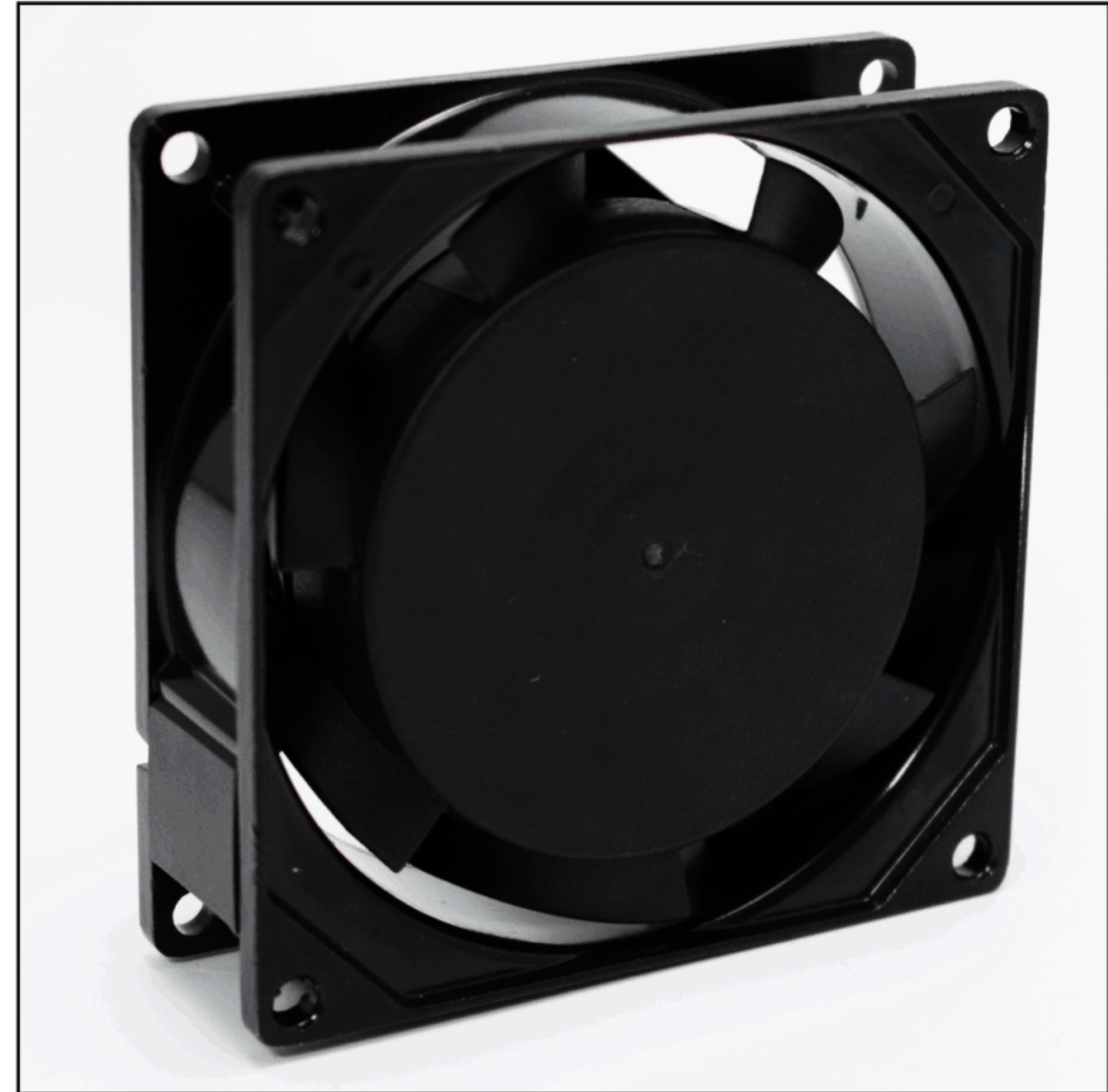
80x80x25mm
3.15"x3.15"x1.00"

GENERAL SPECIFICATIONS

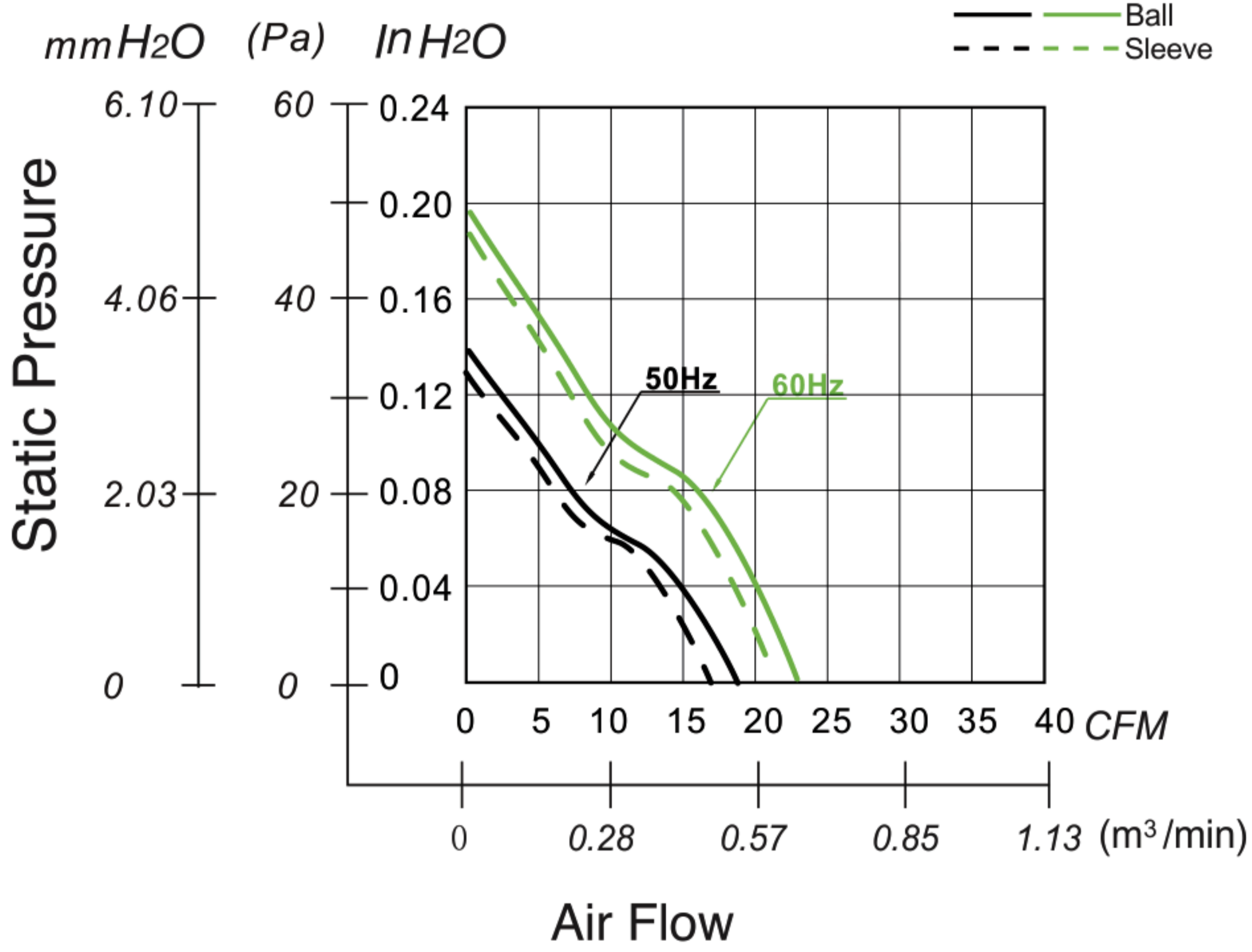
Motor Structure: Shaded Pole Induction Motor
 Motor Protection: Impedance Protection
 Insulation Type: CLASS B
 Dielectric Withstand Voltage: 50/60Hz, 1500VAC 1 MIN
 (Between Input Terminal and Frame)
 Allowable Ambient Temperature Range:
 -10°C ~ +70°C (Operating)
 -40°C ~ +70°C (Storage)
 (non-condensing environment)

MATERIAL

Casing : Aluminum Alloy
 Impeller : PBT+30% GF
 Bearing : Sleeve Bearing or Ball Bearing
 Lead Wire : AWG#22 UL1007 Black (Optional)



PERFORMANCE CURVES



LIFE EXPECTANCY

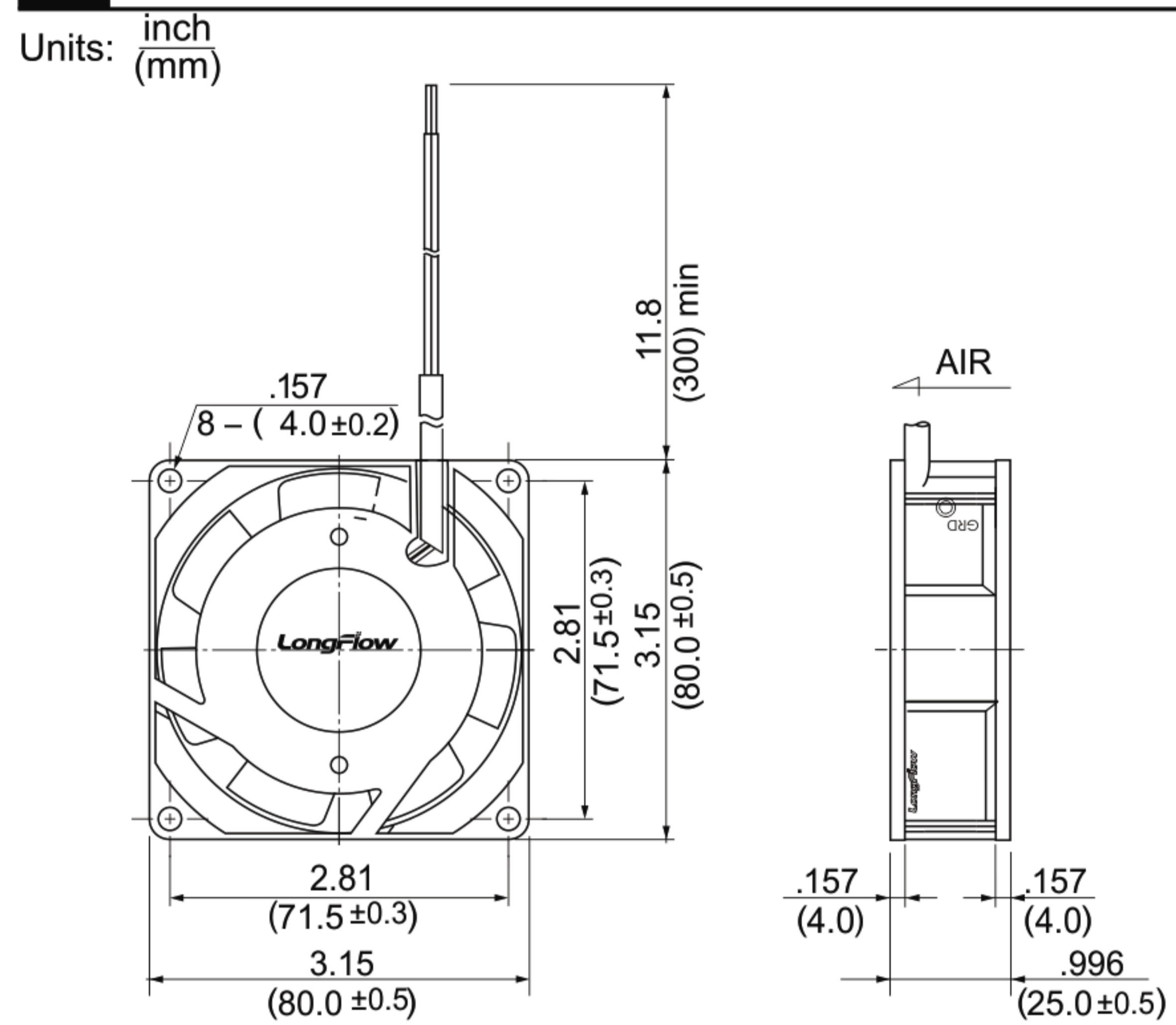
40°C Sleeve Bearing 30,000 Hours
 40°C Ball Bearing 50,000 Hours

MODEL SPECIFICATIONS

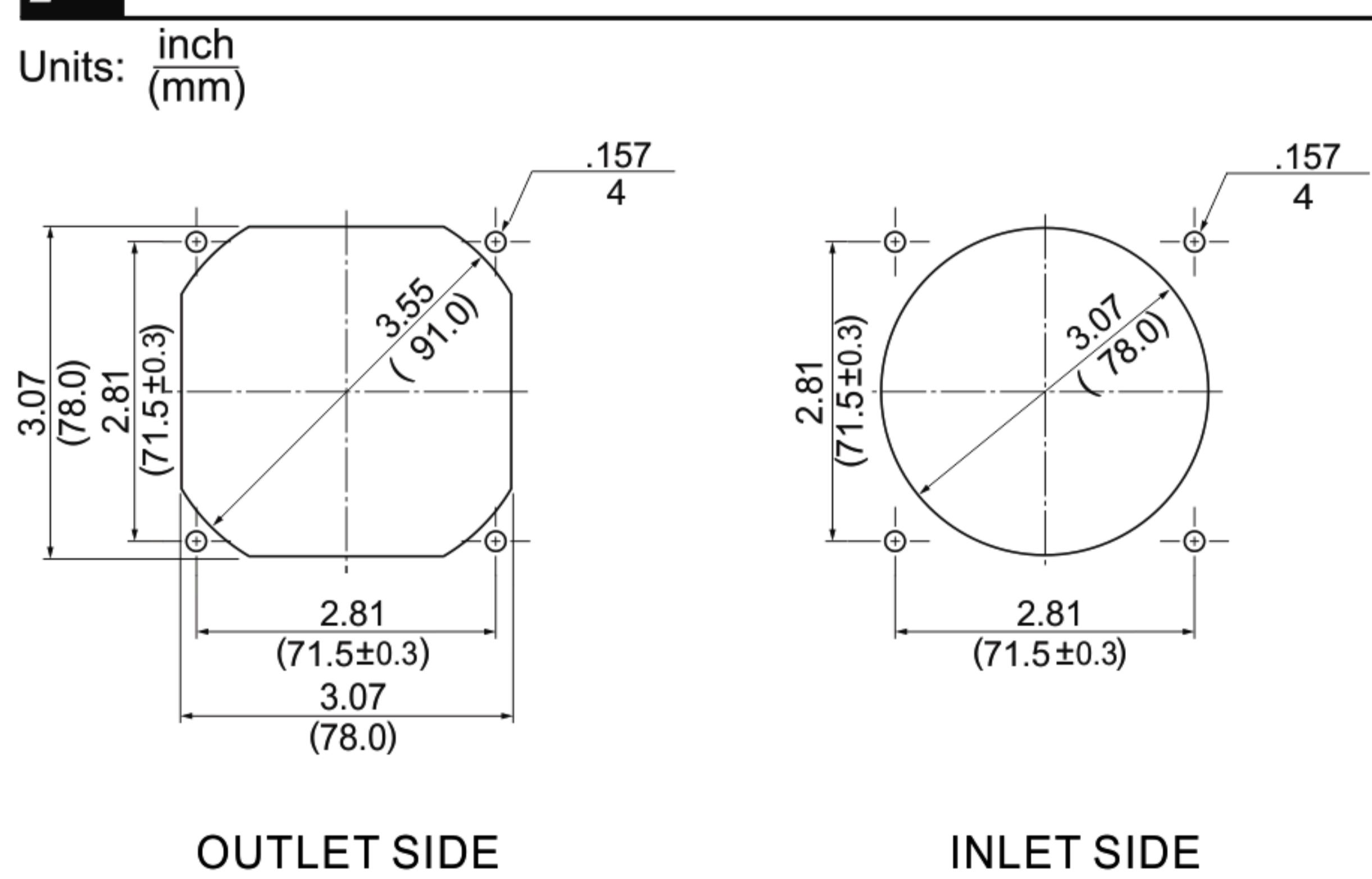
Model	Bearing ● Ball ○ SLEEVE	Rated Voltage (V)	Freq. (Hz)	Rated Current (A)	Input Power (W)	Speed RPM	Noise Level dBA	Max. Air Flow [50 60Hz]		Max. Air Pressure[50 60Hz]			Weight (G)					
								CFM	M ³ /MIN	mm H ₂ O	in H ₂ O	Pa						
LFA8025AS11	○	110-120	50/60	0.14/0.12	15/12	2300/2700	30/34	17	21	0.48	0.59	4	5.5	0.13	0.18	39	54	240
LFA8025AS23	○	220-240	50/60	0.07/0.06	15/12	2300/2700	30/34	17	21	0.48	0.59	4	5.5	0.13	0.18	39	54	240
LFA8025AB11	●	110-120	50/60	0.14/0.12	15/12	2400/2800	31/35	18	22	0.51	0.62	4	5.5	0.14	0.19	39	54	240
LFA8025AB23	●	220-240	50/60	0.07/0.06	15/12	2400/2800	31/35	18	22	0.51	0.62	4	5.5	0.14	0.19	39	54	240

*Important Note: All specifications and descriptions are for reference only and may be subject to change without prior notice. Please contact us for any update or further information at marketing@ventilation-fan.com
 Copyright © 2009-2017 LONGFLOW All Rights Reserved.

OUTLINE DRAWING



PANEL CUT-OUT



OUTLET SIDE

INLET SIDE