

**35x35x10mm**  
1.38"x1.38"x0.40"

### GENERAL SPECIFICATIONS

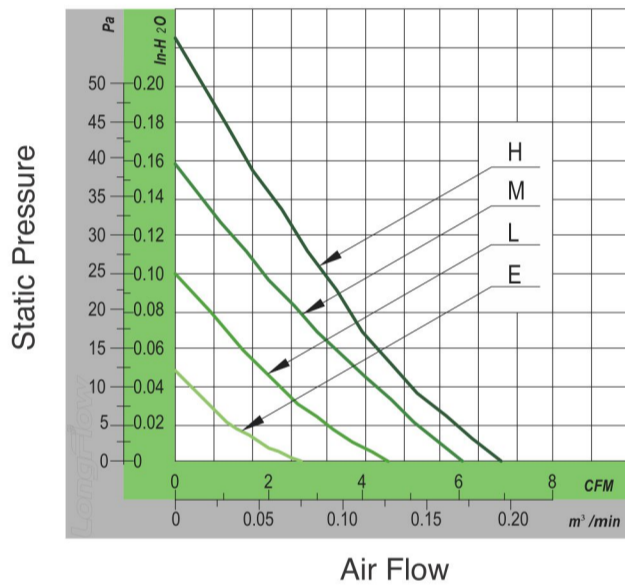
Motor Structure: Brushless DC Motor  
 Motor Protection: Auto-Restart | Polarity Protection(Optional)  
 Allowable Ambient Temperature Range:  
 -10°C ~ +70°C (Operating)  
 -40°C ~ +70°C (Storage)  
 (non-condensing environment)  
 Safety Standard: UL | TUV | ROHS | CE (Optional)  
 Customized Fan Features: FG | RD | IP56 (Optional)



### MATERIAL

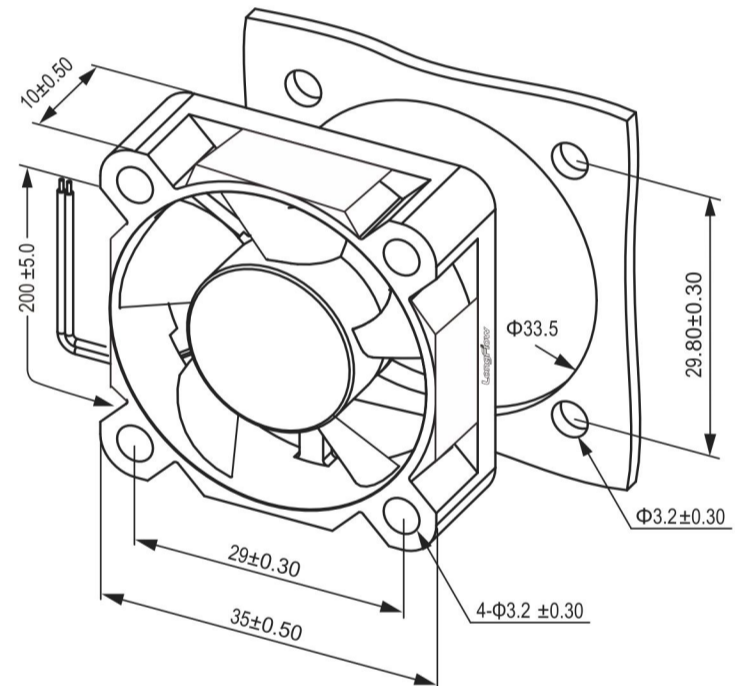
Frame : Plastic (UL94V-0)  
 Impeller : Plastic (UL94V-0)  
 Bearing&Expected Life:  
 Sleeve Bearing 30,000hrs (40°C)  
 Lead Wire : UL1571AWG#28 or Equivalent (+) Red, (-) Black

### PERFORMANCE CURVES



### OUTLINE DRAWING

unit: mm



### MODEL SPECIFICATIONS

Model	Rated Voltage	Operating Voltage	Input Current	Input Power	Speed	Max. Air Flow		Max. Air Pressure			Noise Level	Weight
	(V)	(V)	(A)	(W)	RPM	CFM	M³/MIN	mm H <sub>2</sub> O	in H <sub>2</sub> O	Pa	dBA	(G)
LFD3510NS05M	5	3.5-5.5	0.25	1.25	8000	6.51	0.18	4.06	0.16	40	29.0	10.0
LFD3510NS05L	5	3.5-5.5	0.18	0.90	6000	4.88	0.14	2.54	0.10	25	26.0	10.0
LFD3510NS05E	5	3.5-5.5	0.12	0.60	4000	3.15	0.09	1.02	0.04	10	22.0	10.0
LFD3510NS12H	12	7.0-13.8	0.18	2.16	10000	7.48	0.21	5.58	0.22	55	32.0	10.0
LFD3510NS12M	12	7.0-13.8	0.14	1.68	8000	6.51	0.18	4.06	0.16	40	29.0	10.0
LFD3510NS12L	12	7.0-13.8	0.10	1.20	6000	4.88	0.14	2.54	0.10	25	26.0	10.0