

**25x25x10mm**  
1.00"x1.00"x0.40"

### GENERAL SPECIFICATIONS

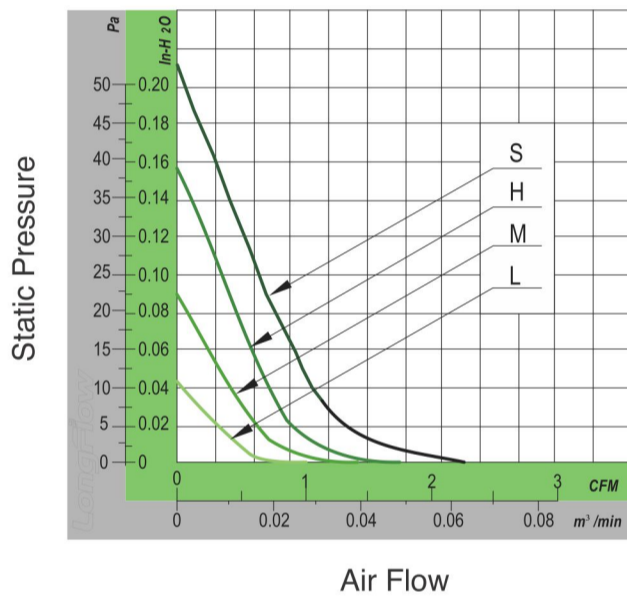
Motor Structure: Brushless DC Motor  
 Motor Protection: Auto-Restart | Polarity Protection(Optional)  
 Allowable Ambient Temperature Range:  
 -10°C ~ +70°C (Operating)  
 -40°C ~ +70°C (Storage)  
 (non-condensing environment)  
 Safety Standard: UL | TUV | ROHS | CE (Optional)  
 Customized Fan Features: FG | RD | IP56 (Optional)



### MATERIAL

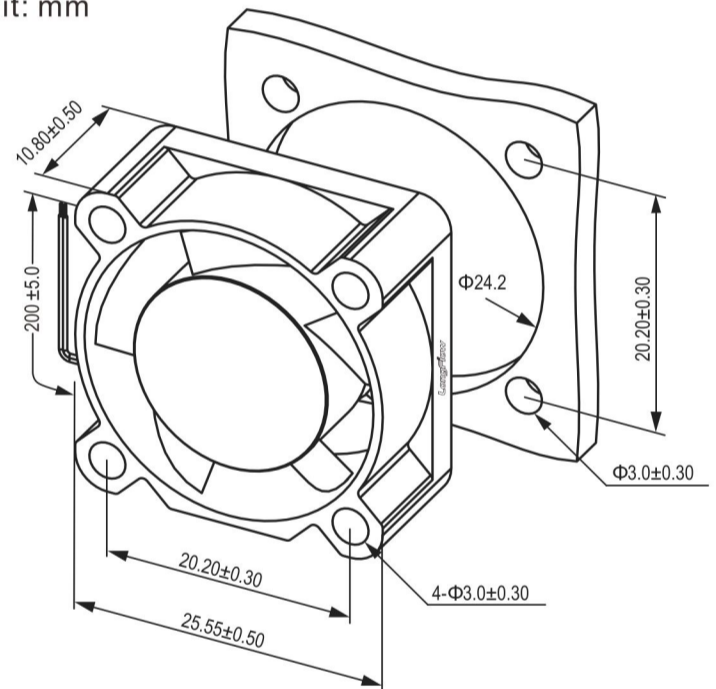
Frame : Plastic (UL94V-0)  
 Impeller : Plastic (UL94V-0)  
 Bearing&Expected Life:  
 Sleeve Bearing 30,000hrs (40°C)  
 Lead Wire : UL1571AWG#28 or Equivalent (+) Red, (-) Black

### PERFORMANCE CURVES



### OUTLINE DRAWING

unit: mm



### MODEL SPECIFICATIONS

Model	Rated Voltage	Operating Voltage	Input Current	Input Power	Speed	Max. Air Flow		Max. Air Pressure			Noise Level	Weight
	(V)	(V)	(A)	(W)	RPM	CFM	M <sup>3</sup> /MIN	mm H <sub>2</sub> O	in H <sub>2</sub> O	Pa	dBA	(G)
LFD2510NS05S	5	3.5-5.5	0.20	1.00	12000	2.24	0.06	5.33	0.21	52	27.0	6.0
LFD2510NS05H	5	3.5-5.5	0.18	0.90	10000	1.91	0.05	4.06	0.16	40	25.0	6.0
LFD2510NS05M	5	3.5-5.5	0.14	0.70	8000	1.46	0.04	2.28	0.09	22	22.0	6.0
LFD2510NS05L	5	3.5-5.5	0.10	0.50	6000	1.00	0.03	1.27	0.05	12	19.0	6.0
LFD2510NS12S	12	7.0-13.8	0.10	1.20	12000	2.24	0.06	5.33	0.21	52	27.0	6.0
LFD2510NS12H	12	7.0-13.8	0.08	0.96	10000	1.91	0.05	4.06	0.16	40	25.0	6.0
LFD2510NS12M	12	7.0-13.8	0.06	0.72	8000	1.46	0.04	2.28	0.09	22	22.0	6.0
LFD2510NS12L	12	7.0-13.8	0.04	0.48	6000	1.00	0.03	1.27	0.05	12	19.0	6.0