

**80x80x15mm**  
3.15"x3.15"x0.60"

### GENERAL SPECIFICATIONS

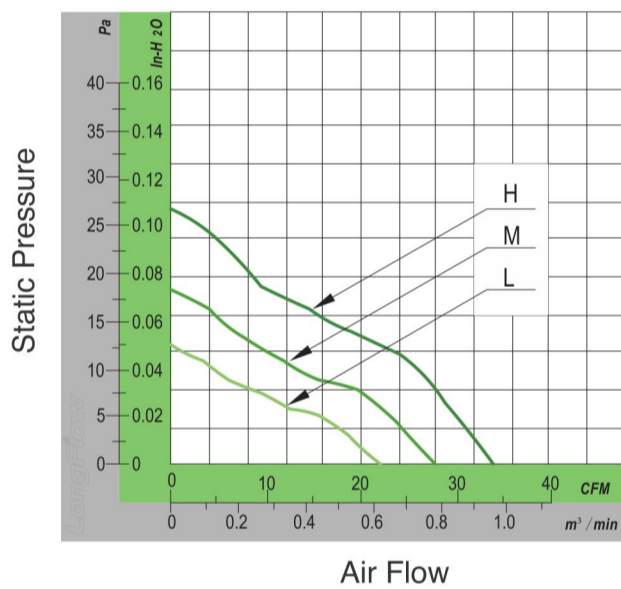
Motor Structure: Brushless DC Motor  
 Motor Protection: Auto-Restart | Polarity Protection(Optional)  
 Allowable Ambient Temperature Range:  
 -10°C ~ +70°C (Operating)  
 -40°C ~ +70°C (Storage)  
 (non-condensing environment)  
 Safety Standard: UL | TUV | ROHS | CE (Optional)  
 Customized Fan Features: FG | RD | IP56|PWM (Optional)



### MATERIAL

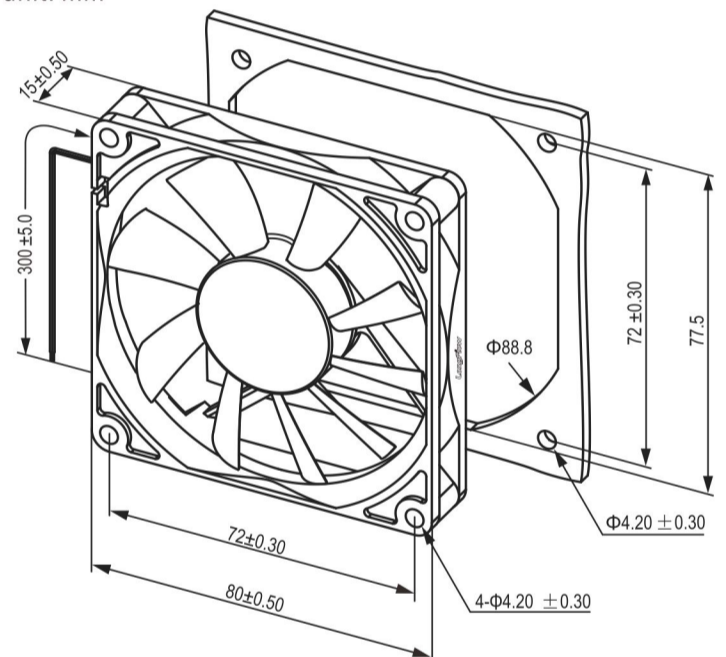
Frame : Plastic (UL94V-0)  
 Impeller : Plastic (UL94V-0)  
 Bearing&Expected Life:  
 Sleeve Bearing 30,000hrs (40°C);  
 Ball Bearing 70,000hrs (40°C)  
 Lead Wire : UL1007AWG#24 or Equivalent (+) Red, (-) Black

### PERFORMANCE CURVES



### OUTLINE DRAWING

unit: mm



### MODEL SPECIFICATIONS

Model	Rated Voltage	Operating Voltage	Input Current	Input Power	Speed	Max. Air Flow		Max. Air Pressure			Noise Level	Weight
	(V)	(V)	(A)	(W)	RPM	CFM	M <sup>3</sup> /MIN	mm H <sub>2</sub> O	in H <sub>2</sub> O	Pa	dBA	(G)
LFD8015NX12H	12	7.0-13.8	0.30	3.60	3000	34.33	0.97	2.79	0.11	27	33.0	54.0
LFD8015NX12M	12	7.0-13.8	0.20	2.40	2500	27.45	0.78	2.03	0.08	20	27.0	54.0
LFD8015NX12L	12	7.0-13.8	0.12	1.44	2000	22.07	0.62	1.27	0.05	12	23.0	54.0
LFD8015NX24H	24	14.0-27.6	0.18	4.32	3000	34.33	0.97	2.79	0.11	27	33.0	54.0
LFD8015NX24M	24	14.0-27.6	0.15	3.60	2500	27.45	0.78	2.03	0.08	20	27.0	54.0
LFD8015NX24L	24	14.0-27.6	0.10	2.40	2000	22.07	0.62	1.27	0.05	12	23.0	54.0

\* X refers to bearing type and can be B or S (B: ball bearing; S: sleeve bearing)