



**80x80x38mm**  
3.15"x3.15"x1.50"

### GENERAL SPECIFICATIONS

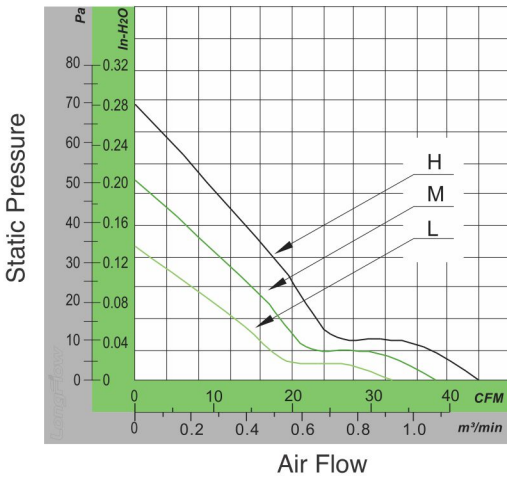
Motor Structure: EC (Electronically Commutated) Motor or Efficient DC Motor with Integrated AC to DC Converter  
 Motor Protection: Auto-Restart | Soft-Start (Optional)  
 Dielectric Strength: 50/60Hz 1500VAC 1min Between Input Terminal and Frame  
 Allowable Ambient Temperature Range: -20°C ~ +70°C (Operating) -40°C ~ +70°C (Storage) (non-condensing environment)  
 Safety Standard: UL | TUV | ROHS | CE (Optional)  
 Customized Fan Features: FG | RD | IP54 | PWM (Optional)

### MATERIAL

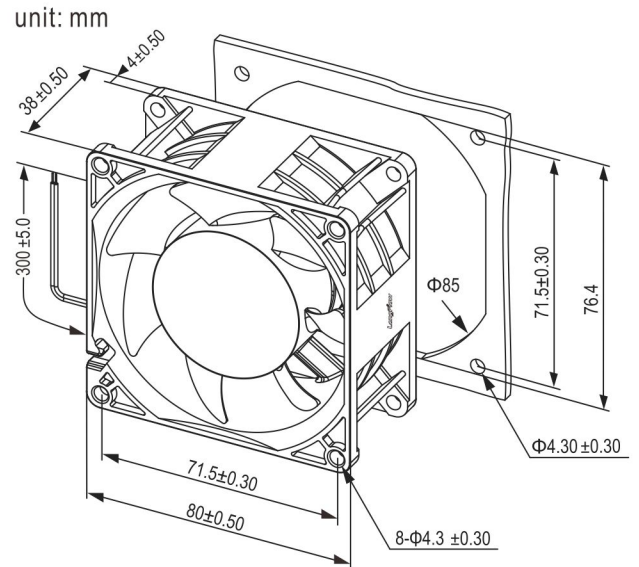
Frame : Plastic (UL94V-0)  
 Impeller : Plastic (UL94V-0)  
 Bearing & Expected Life: Ball Bearing 70,000hrs (40°C)  
 Lead Wire : UL1007AWG#24 300mm



### PERFORMANCE CURVES



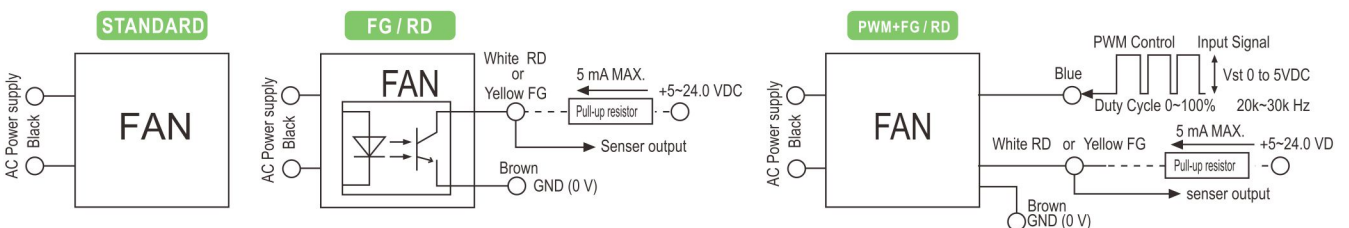
### OUTLINE DRAWING



### MODEL SPECIFICATIONS

Model	Rated Voltage	Freq.	Rated Current	Input Power	Speed	Max. Air Flow		Max. Air Pressure			Noise Level	Weight
	(V)					(Hz)	(A)	(W)	RPM	CFM		
LFE8038PB12H	110~240	50/60	0.06	6.0	3500	45.1	1.28	6.60	0.26	65	43	155
LFE8038PB12M	110~240	50/60	0.04	3.8	3000	39.0	1.10	4.82	0.19	47	40	155
LFE8038PB12L	110~240	50/60	0.03	2.2	2500	32.5	0.92	3.30	0.13	32	37	155

### WIRING DIAGRAM



\*Important Note: All specifications and descriptions are for reference only and may be subject to change without prior notice. Please contact us for any update or further information at [marketing@ventilation-fan.com](mailto:marketing@ventilation-fan.com)  
 Copyright © 2009-2017 LONGFLOW All Rights Reserved.