

**135x135x38mm**  
5.31"x5.31"x1.50"

AXIAL AC FANS

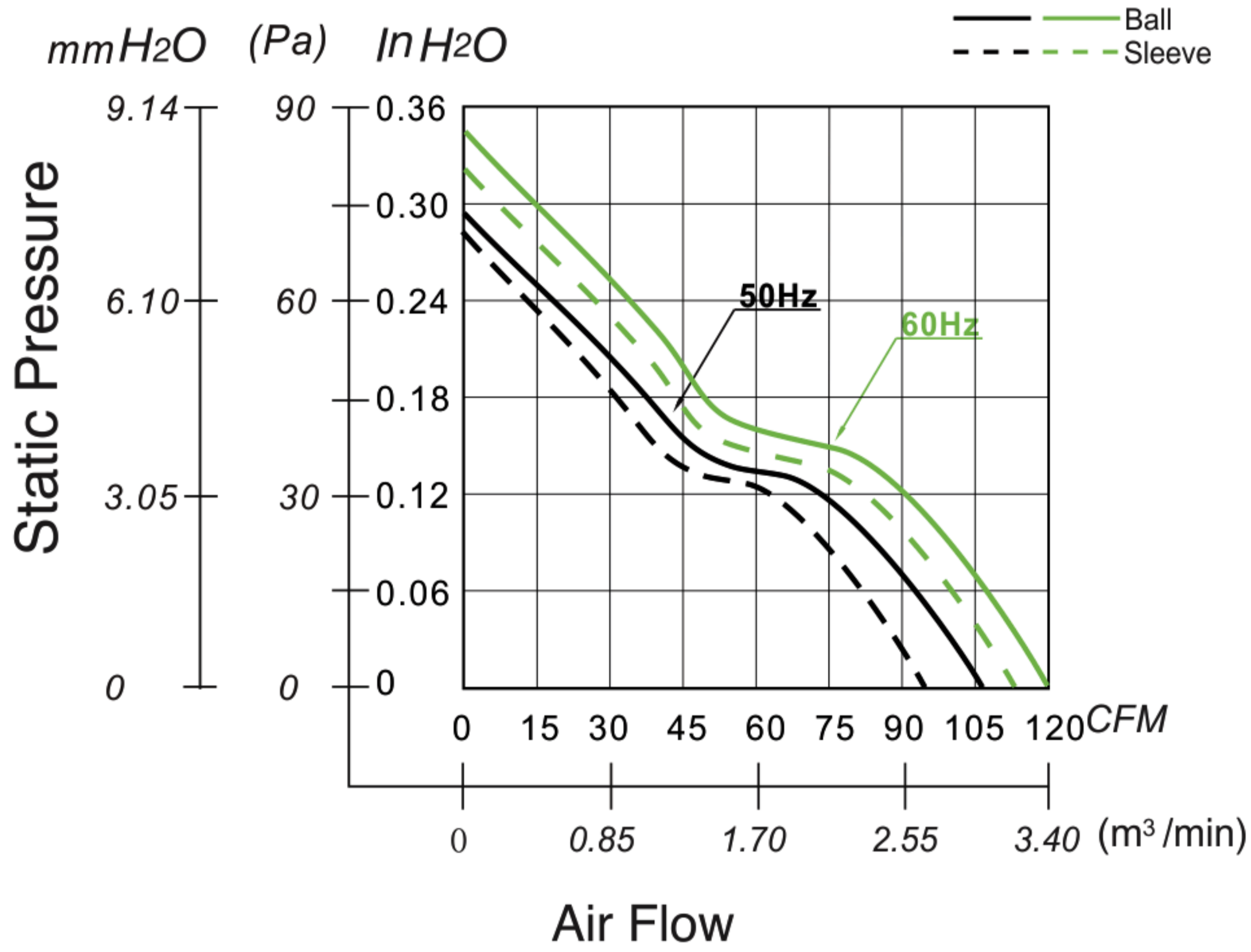
## GENERAL SPECIFICATIONS

Motor Structure: Shaded Pole Induction Motor  
 Motor Protection: Impedance Protection  
 Insulation Type: CLASS B  
 Dielectric Withstand Voltage: 50/60Hz, 1500VAC 1 MIN  
 (Between Input Terminal and Frame)  
 Allowable Ambient Temperature Range:  
 -10°C ~ +70°C (Operating)  
 -40°C ~ +70°C (Storage)  
 (non-condensing environment)

## MATERIAL

Casing : Aluminum Alloy  
 Impeller : PBT+30% GF  
 Bearing : Sleeve Bearing or Ball Bearing  
 Lead Wire : AWG#22 UL1007 Black (Optional)

## PERFORMANCE CURVES



## LIFE EXPECTANCY

40°C Sleeve Bearing 30,000 Hours  
 40°C Ball Bearing 50,000 Hours

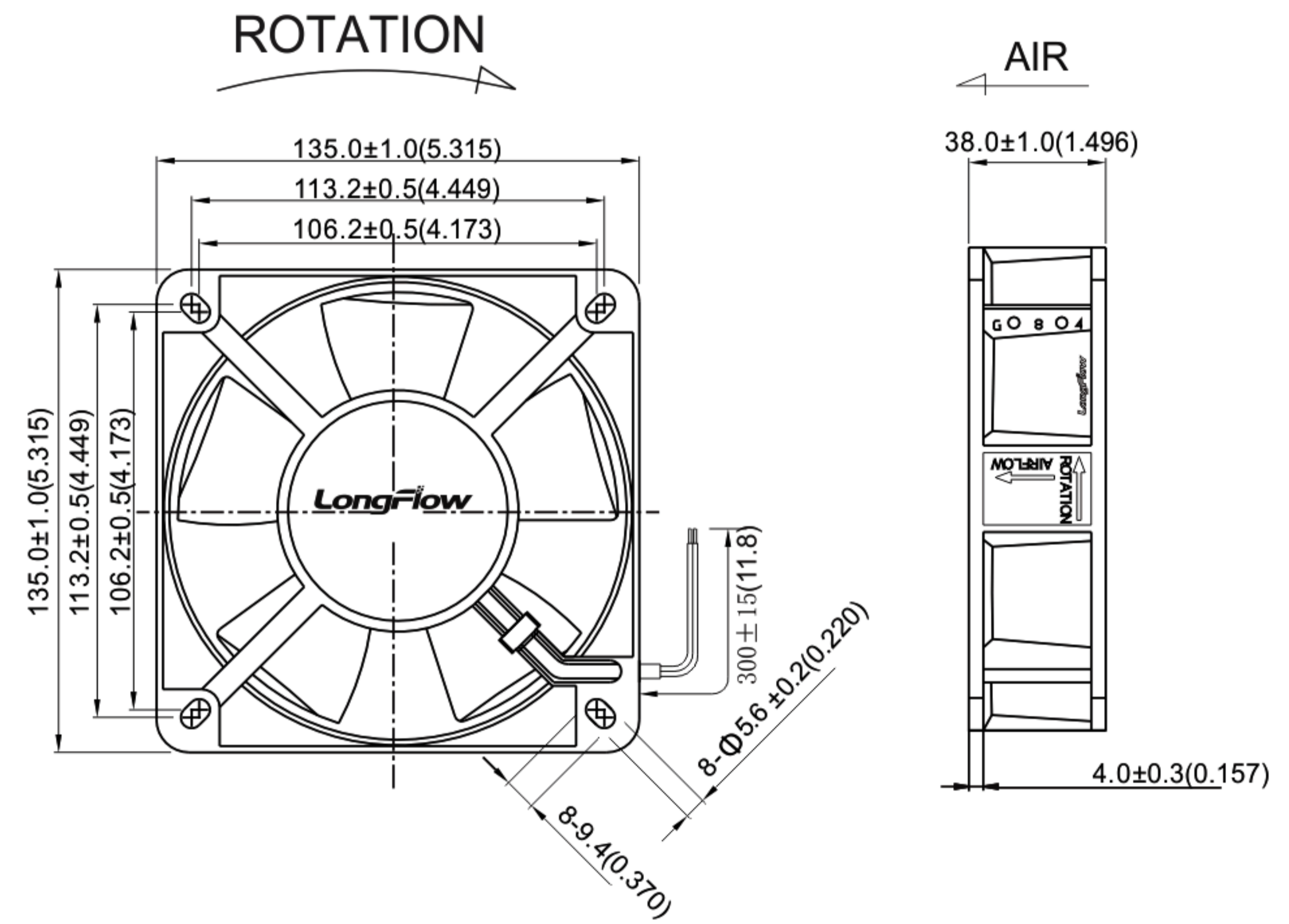
## MODEL SPECIFICATIONS

Model	Bearing ● Ball ○ SLEEVE	Rated Voltage (V)	Freq. (Hz)	Rated Current (A)	Input Power (W)	Speed RPM	Noise Level dBA	Max. Air Flow [50 60Hz]		Max. Air Pressure[50 60Hz]			Weight (G)					
								CFM	M <sup>3</sup> /MIN	mm H <sub>2</sub> O	in H <sub>2</sub> O	Pa						
LFA1338AS11	○	110-120	50/60	0.34/0.30	25/20	2300/2600	39/41	93	107	2.63	3.03	7.11	8.12	0.28	0.32	70	80	570
LFA1338AS23	○	220-240	50/60	0.18/0.14	25/20	2300/2600	39/41	93	107	2.63	3.03	7.11	8.12	0.28	0.32	70	80	570
LFA1338AB11	●	110-120	50/60	0.34/0.30	25/20	2400/2700	43/45	107	120	3.03	3.40	7.36	8.38	0.29	0.33	72	82	570
LFA1338AB23	●	220-240	50/60	0.18/0.14	25/20	2400/2700	43/45	107	120	3.03	3.40	7.36	8.38	0.29	0.33	72	82	570



## OUTLINE DRAWING

Units: mm(inch)



## PANEL CUT-OUT

Units: mm(inch)

