

80x80x38mm
3.15"x3.15"x1.50"

GENERAL SPECIFICATIONS

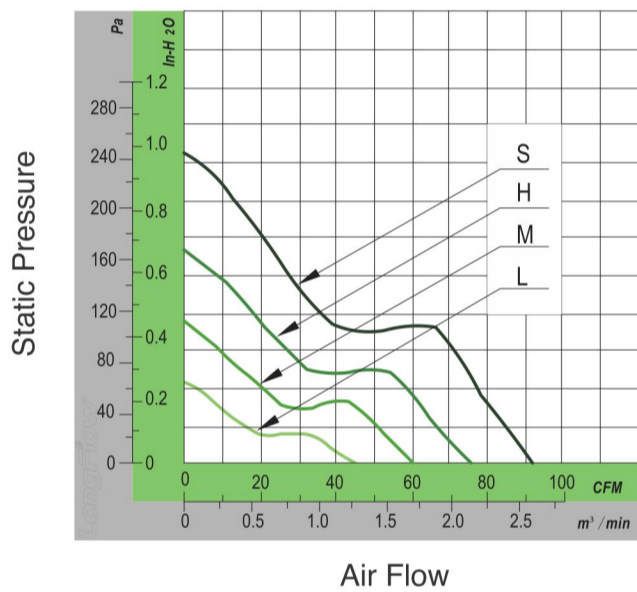
Motor Structure: Brushless DC Motor
 Motor Protection:
 Auto-Restart | Polarity Protection|Soft Start(Optional)
 Allowable Ambient Temperature Range:
 -10°C ~ +70°C (Operating)
 -40°C ~ +70°C (Storage)
 (non-condensing environment)
 Safety Standard: UL | TUV | ROHS | CE (Optional)
 Customized Fan Features: FG | RD | IP56|PWM (Optional)

MATERIAL

Frame : Plastic (UL94V-0)
 Impeller : Plastic (UL94V-0)
 Bearing&Expected Life:
 Ball Bearing 70,000hrs (40°C)
 Lead Wire : UL1007AWG#24 or Equivalent (+) Red, (-) Black

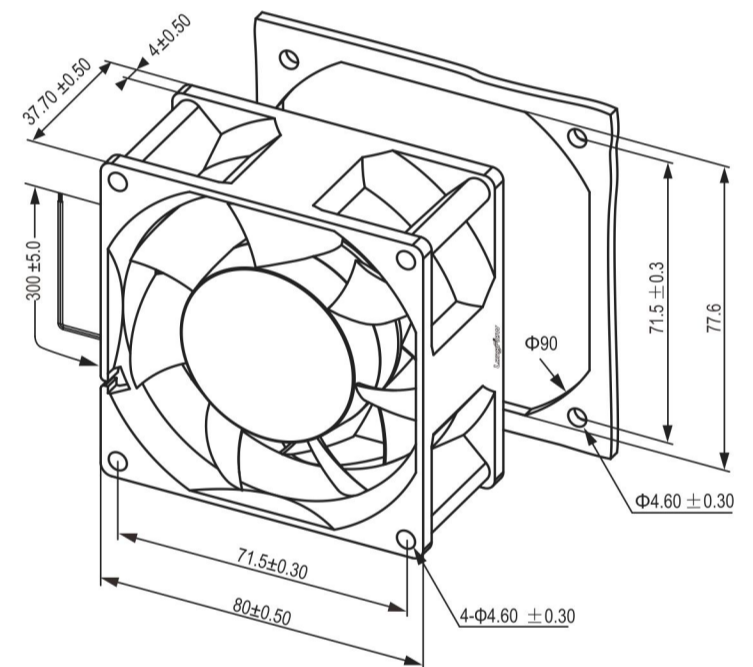


PERFORMANCE CURVES



OUTLINE DRAWING

unit: mm



MODEL SPECIFICATIONS

Model	Rated Voltage	Operating Voltage	Input Current	Input Power	Speed	Max. Air Flow		Max. Air Pressure			Noise Level	Weight
	(V)	(V)	(A)	(W)	RPM	CFM	M³/MIN	mm H ₂ O	in H ₂ O	Pa	dBA	(G)
LFD8038PB12S	12	7.0-13.8	1.50	18.00	6500	90.60	2.56	25.13	0.99	246	59.0	153.0
LFD8038PB12H	12	7.0-13.8	0.90	10.80	5500	74.46	2.11	17.26	0.68	169	53.0	153.0
LFD8038PB12M	12	7.0-13.8	0.60	7.20	4500	60.08	1.70	11.68	0.46	115	47.0	153.0
LFD8038PB12L	12	7.0-13.8	0.40	4.80	3500	45.11	1.28	6.60	0.26	65	43.0	153.0
LFD8038PB24S	24	14.0-27.6	0.80	19.20	6500	90.60	2.56	25.13	0.99	246	59.0	153.0
LFD8038PB24H	24	14.0-27.6	0.50	12.00	5500	74.46	2.11	17.26	0.68	169	53.0	153.0
LFD8038PB24M	24	14.0-27.6	0.30	7.20	4500	60.08	1.70	11.68	0.46	115	47.0	153.0
LFD8038PB24L	24	14.0-27.6	0.20	4.80	3500	45.11	1.28	6.60	0.26	65	43.0	153.0
LFD8038PB48S	48	28.0-56.0	0.50	24.00	6500	90.60	2.56	25.13	0.99	246	59.0	153.0
LFD8038PB48H	48	28.0-56.0	0.30	14.40	5500	74.46	2.11	17.26	0.68	169	53.0	153.0
LFD8038PB48M	48	28.0-56.0	0.20	9.60	4500	60.08	1.70	11.68	0.46	115	47.0	153.0
LFD8038PB48L	48	28.0-56.0	0.10	4.80	3500	45.11	1.28	6.60	0.26	65	43.0	153.0