

**Φ254x89mm**  
**Φ10" x 3.5"**

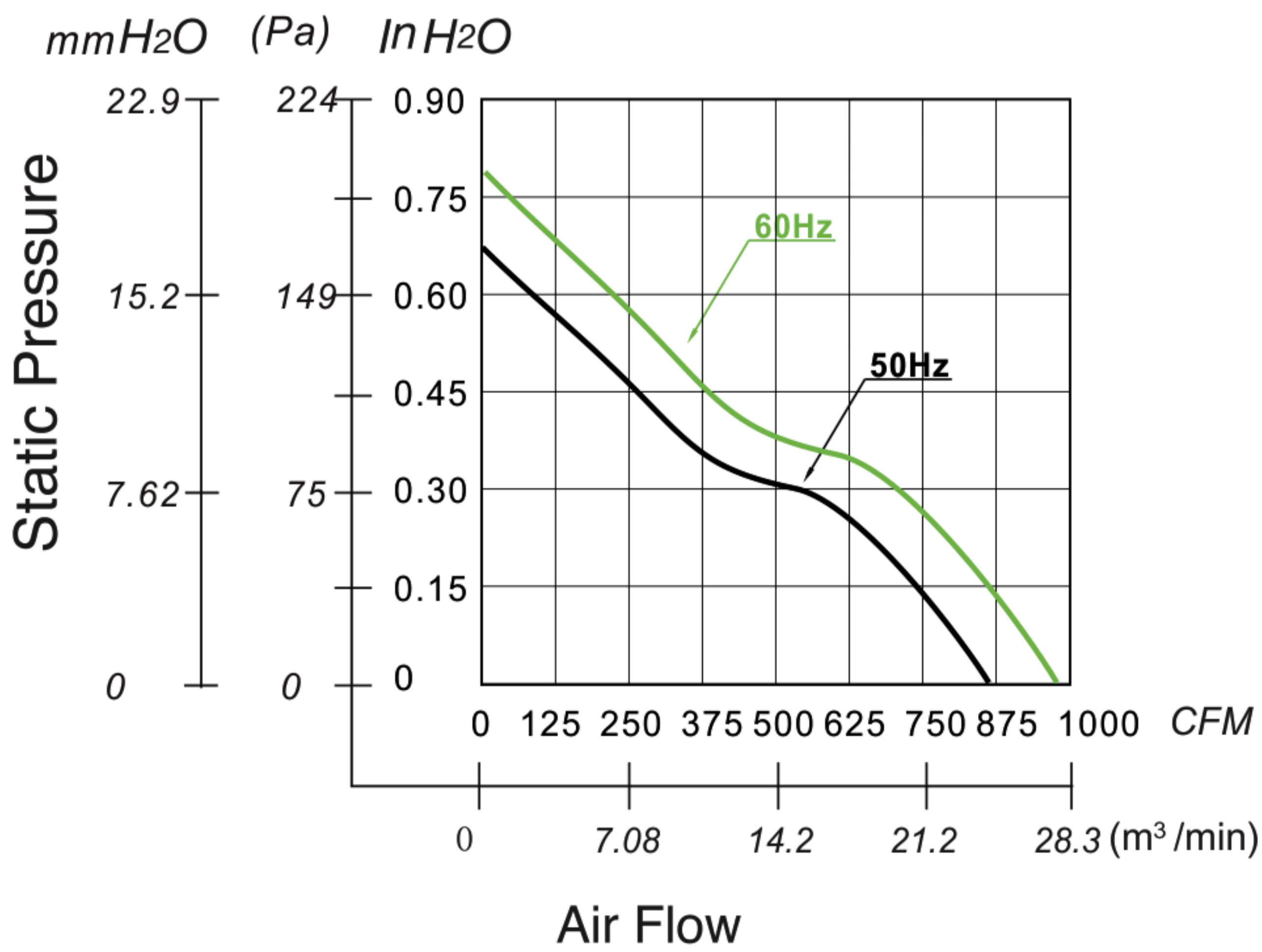
### GENERAL SPECIFICATIONS

Motor Structure: Alveolate Motor  
 Motor Protection: Impedance Protection  
 Insulation Type: CLASS B  
 Dielectric Withstand Voltage: 50/60Hz, 1500VAC 1 MIN  
 (Between Input Terminal and Frame)  
 Allowable Ambient Temperature Range:  
 -10°C ~ +70°C (Operating)  
 -40°C ~ +70°C (Storage)  
 (non-condensing environment)

### MATERIAL

Casing : Aluminum Alloy  
 Impeller : PBT+30% GF  
 Bearing : Ball Bearing  
 Lead Wire : AWG#20 UL1015 Black (Optional)

### PERFORMANCE CURVES



### LIFE EXPECTANCY

40°C Ball Bearing 50,000 Hours

### MODEL SPECIFICATIONS

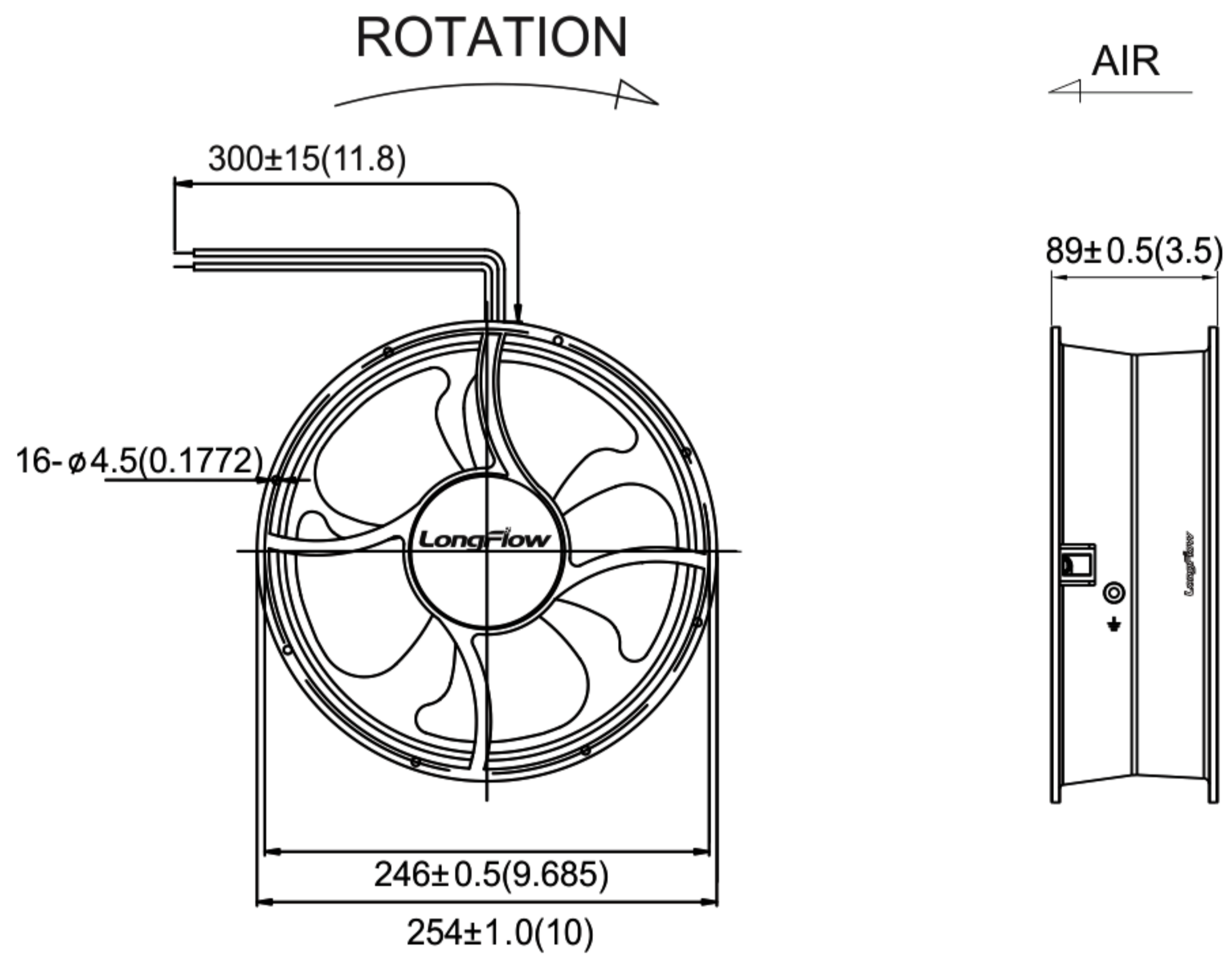
Model	Bearing ● Ball ○ SLEEVE	Rated Voltage (V)	Freq. (Hz)	Rated Current (A)	Input Power (W)	Speed RPM	Noise Level dBA	Max. Air Flow [50/60Hz]		Max. Air Pressure[50/60Hz]			Weight (G)					
								CFM	M <sup>3</sup> /MIN	mm H <sub>2</sub> O	in H <sub>2</sub> O	Pa						
LFA2589AB11	●	110-120	50/60	0.45/0.56	55/68	2600/3000	66/69	860	940	24.34	26.60	17.01	21.07	0.67	0.83	167	207	1900
LFA2589AB23	●	220-240	50/60	0.25/0.32	55/68	2600/3000	66/69	860	940	24.34	26.60	17.01	21.07	0.67	0.83	167	207	1900

\*Important Note: All specifications and descriptions are for reference only and may be subject to change without prior notice. Please contact us for any update or further information at [marketing@ventilation-fan.com](mailto:marketing@ventilation-fan.com)  
 Copyright © 2009-2017 LONGFLOW All Rights Reserved.



### OUTLINE DRAWING

Units: mm(inch)



### PANEL CUT-OUT

Units: mm(inch)

