

92x92x38mm
3.62"x3.62"x1.50"

GENERAL SPECIFICATIONS

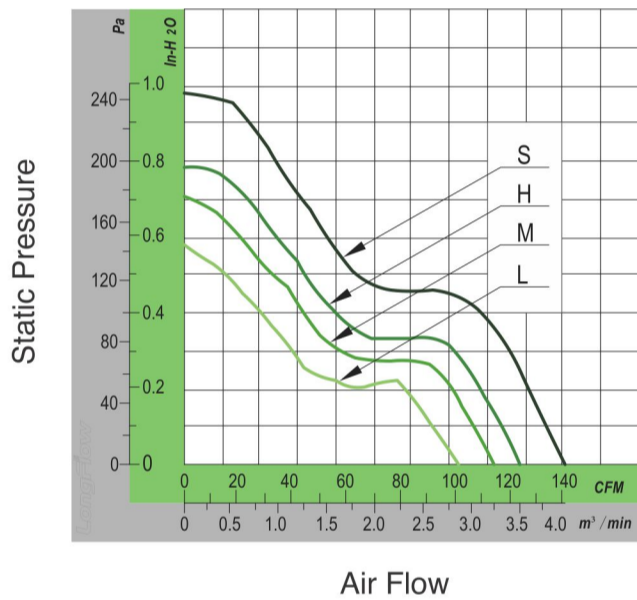
Motor Structure: Brushless DC Motor
 Motor Protection:
 Auto-Restart | Polarity Protection|Soft Start(Optional)
 Allowable Ambient Temperature Range:
 -10°C ~ +70°C (Operating)
 -40°C ~ +70°C (Storage)
 (non-condensing environment)
 Safety Standard: UL | TUV | ROHS | CE (Optional)
 Customized Fan Features: FG | RD | IP56|PWM (Optional)

MATERIAL

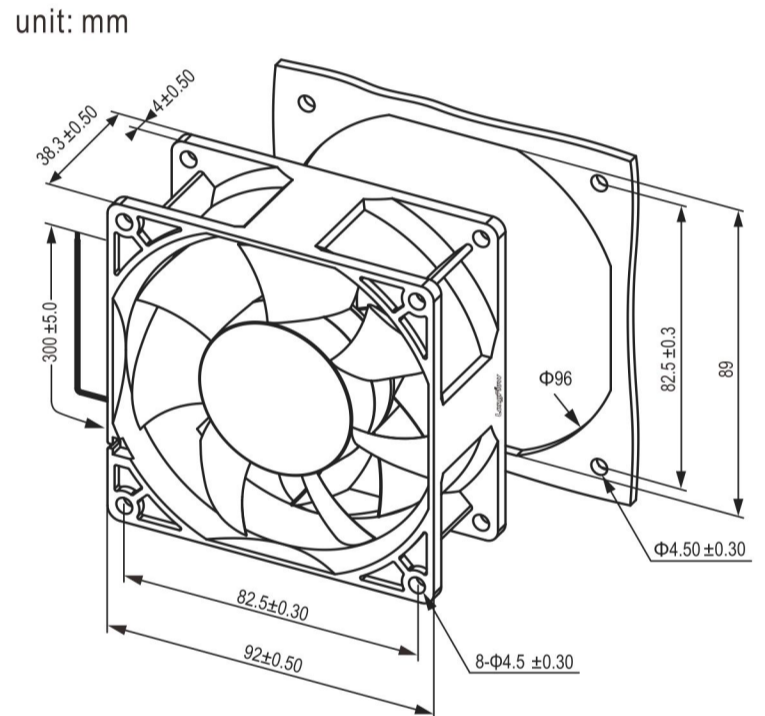
Frame : Plastic (UL94V-0)
 Impeller : Plastic (UL94V-0)
 Bearing&Expected Life:
 Ball Bearing 70,000hrs (40°C)
 Lead Wire : UL1007AWG#24 or Equivalent (+) Red, (-) Black



PERFORMANCE CURVES



OUTLINE DRAWING



MODEL SPECIFICATIONS

Model	Rated Voltage	Operating Voltage	Input Current	Input Power	Speed	Max. Air Flow		Max. Air Pressure			Noise Level	Weight
	(V)	(V)	(A)	(W)	RPM	CFM	M³/MIN	mm H ₂ O	in H ₂ O	Pa	dBA	(G)
LFD9238PB12S	12	7.0-13.8	2.50	30.00	6000	139.87	3.96	24.37	0.96	239	61.0	166.0
LFD9238PB12H	12	7.0-13.8	1.80	21.60	5500	124.56	3.53	20.05	0.79	197	56.0	166.0
LFD9238PB12M	12	7.0-13.8	1.20	14.40	5000	115.09	3.26	18.02	0.71	177	50.0	166.0
LFD9238PB12L	12	7.0-13.8	0.90	10.80	4500	102.73	2.91	14.72	0.58	144	45.0	166.0
LFD9238PB24S	24	14.0-27.6	1.50	36.00	6000	139.87	3.96	24.37	0.96	239	61.0	166.0
LFD9238PB24H	24	14.0-27.6	1.00	24.00	5500	124.56	3.53	20.05	0.79	197	56.0	166.0
LFD9238PB24M	24	14.0-27.6	0.80	19.20	5000	115.09	3.26	18.02	0.71	177	50.0	166.0
LFD9238PB24L	24	14.0-27.6	0.60	14.40	4500	102.73	2.91	14.72	0.58	144	45.0	166.0
LFD9238PB48S	48	28.0-56.0	0.80	38.40	6000	139.87	3.96	24.37	0.96	239	61.0	166.0
LFD9238PB48H	48	28.0-56.0	0.60	28.80	5500	124.56	3.53	20.05	0.79	197	56.0	166.0
LFD9238PB48M	48	28.0-56.0	0.40	19.20	5000	115.09	3.26	18.02	0.71	177	50.0	166.0
LFD9238PB48L	48	28.0-56.0	0.30	14.40	4500	102.73	2.91	14.72	0.58	144	45.0	166.0