



**150x150x51mm**  
6.00"x6.00"x2.00"

### GENERAL SPECIFICATIONS

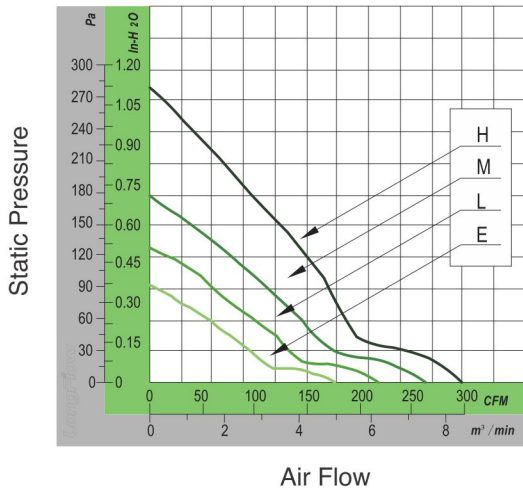
Motor Structure: EC (Electronically Commutated) Motor or Efficient DC Motor with Integrated AC to DC Converter  
 Motor Protection: Auto-Restart | Soft-Start (Optional)  
 Dielectric Strength: 50/60Hz 1500VAC 1min Between Input Terminal and Frame  
 Allowable Ambient Temperature Range: -20°C ~ +70°C (Operating) -40°C ~ +70°C (Storage) (non-condensing environment)  
 Safety Standard: UL | TUV | ROHS | CE (Optional)  
 Customized Fan Features: FG | RD | IP54 | PWM (Optional)

### MATERIAL

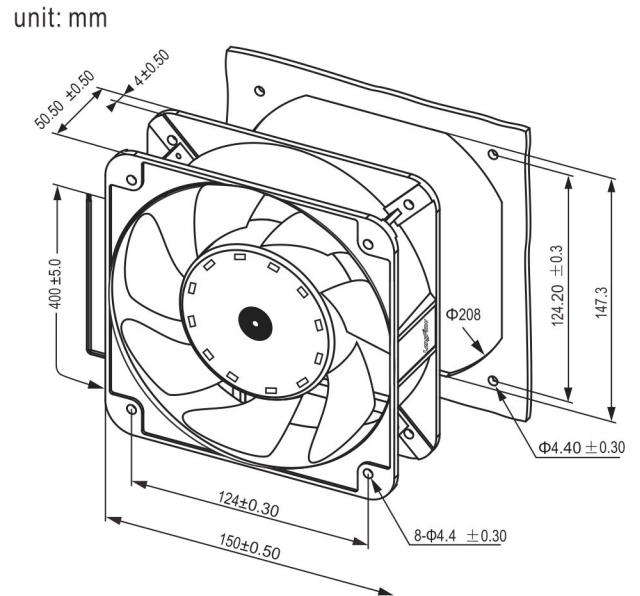
Frame : Aluminum Alloy  
 Impeller : Plastic (UL94V-0)  
 Bearing & Expected Life: Ball Bearing 70,000hrs (40°C)  
 Lead Wire : UL1007AWG#22 300mm or Terminal



### PERFORMANCE CURVES



### OUTLINE DRAWING



### MODEL SPECIFICATIONS

Model	Rated Voltage	Freq.	Rated Current	Input Power	Speed	Max. Air Flow		Max. Air Pressure			Noise Level	Weight
	(V)	(Hz)	(A)	(W)	RPM	CFM	M <sup>3</sup> /MIN	mm H <sub>2</sub> O	in H <sub>2</sub> O	Pa	dBA	(G)
LFE1551AB12H	110~240	50/60	0.32	35.0	4000	305.29	8.64	28.93	1.14	284	67.0	740.0
LFE1551AB12M	110~240	50/60	0.22	24.0	3500	257.88	7.30	18.02	0.71	177	59.0	740.0
LFE1551AB12L	110~240	50/60	0.15	15.0	3000	220.85	6.25	13.20	0.52	129	51.0	740.0
LFE1551AB12E	110~240	50/60	0.10	10.0	2500	185.24	5.24	9.39	0.37	92	44.0	740.0

### WIRING DIAGRAM

