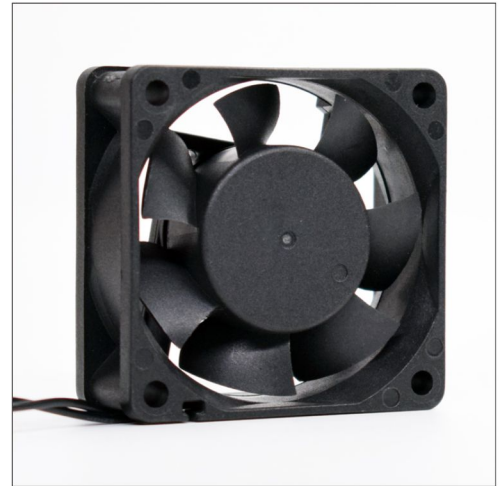




**60x60x25mm**  
2.40"x2.40"x1.00"

### GENERAL SPECIFICATIONS

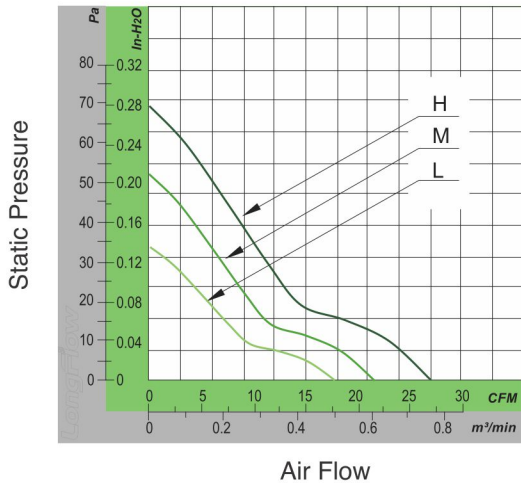
Motor Structure: EC (Electronically Commutated) Motor or Efficient DC Motor with Integrated AC to DC Converter  
 Motor Protection: Auto-Restart | Soft-Start (Optional)  
 Dielectric Strength: 50/60Hz 1500VAC 1min Between Input Terminal and Frame  
 Allowable Ambient Temperature Range: -20°C ~ +70°C (Operating) -40°C ~ +70°C (Storage) (non-condensing environment)  
 Safety Standard: UL | TUV | ROHS | CE (Optional)  
 Customized Fan Features: FG | RD | IP54 | PWM (Optional)



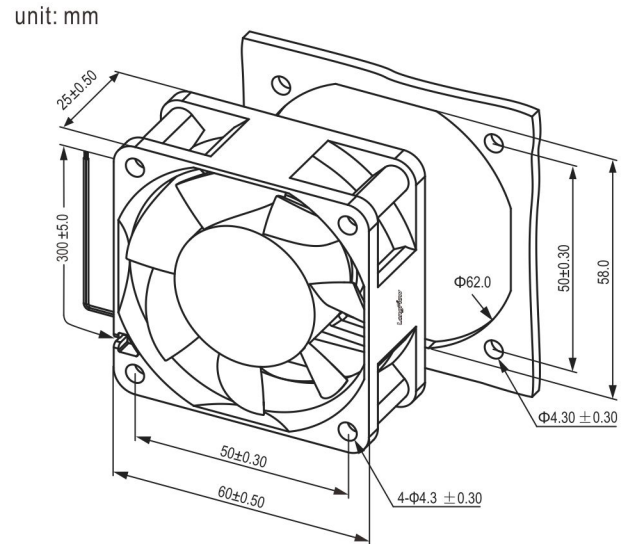
### MATERIAL

Frame : Plastic (UL94V-0)  
 Impeller : Plastic (UL94V-0)  
 Bearing & Expected Life:  
 Ball Bearing 70,000hrs (40°C)  
 Lead Wire : UL1007AWG#24 300mm

### PERFORMANCE CURVES



### OUTLINE DRAWING



### MODEL SPECIFICATIONS

Model	Rated Voltage	Freq.	Rated Current	Input Power	Speed	Max. Air Flow		Max. Air Pressure			Noise Level	Weight
	(V)					(Hz)	(A)	(W)	RPM	CFM		
LFE6025NB12H	110~240	50/60	0.06	4.0	5800	26.5	0.75	7.11	0.28	70	38	70
LFE6025NB12M	110~240	50/60	0.05	2.6	5000	22.8	0.65	5.33	0.21	52	31	70
LFE6025NB12L	110~240	50/60	0.04	1.3	4000	18.2	0.52	3.30	0.13	32	27	70

### WIRING DIAGRAM

