

200x200x60mm
8.00"x8.00"x2.36"

GENERAL SPECIFICATIONS

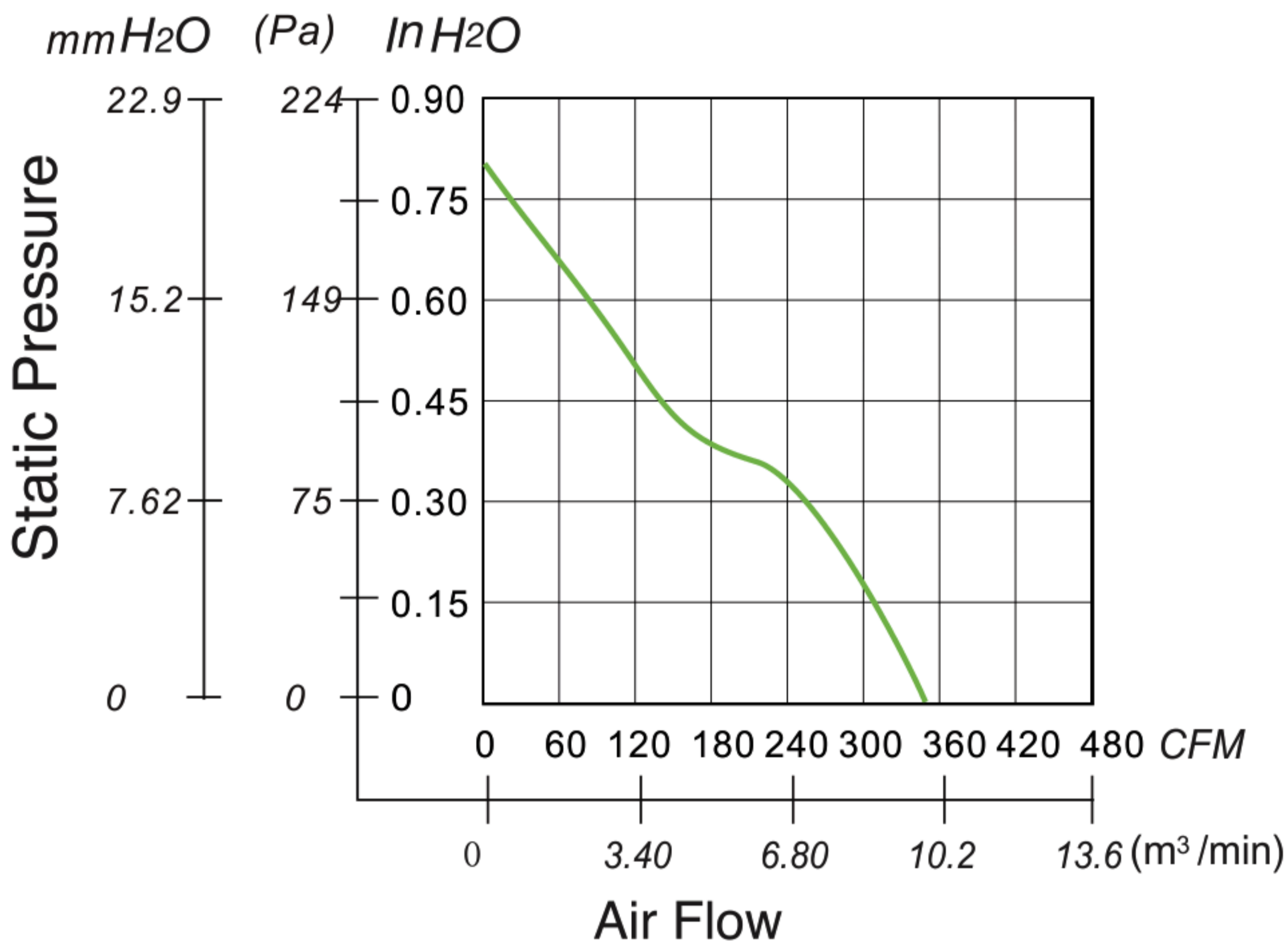
Motor Structure: Shaded Pole Induction Motor
 Motor Protection: Impedance Protection
 Insulation Type: CLASS B
 Dielectric Withstand Voltage: 50/60Hz, 1500VAC 1 MIN
 (Between Input Terminal and Frame)
 Allowable Ambient Temperature Range:
 -10°C ~ +70°C (Operating)
 -40°C ~ +70°C (Storage)
 (non-condensing environment)

MATERIAL

Casing : Aluminum Alloy
 Impeller : PBT+30% GF
 Bearing : Ball Bearing
 Lead Wire : AWG#20 UL1015 Black (Optional)

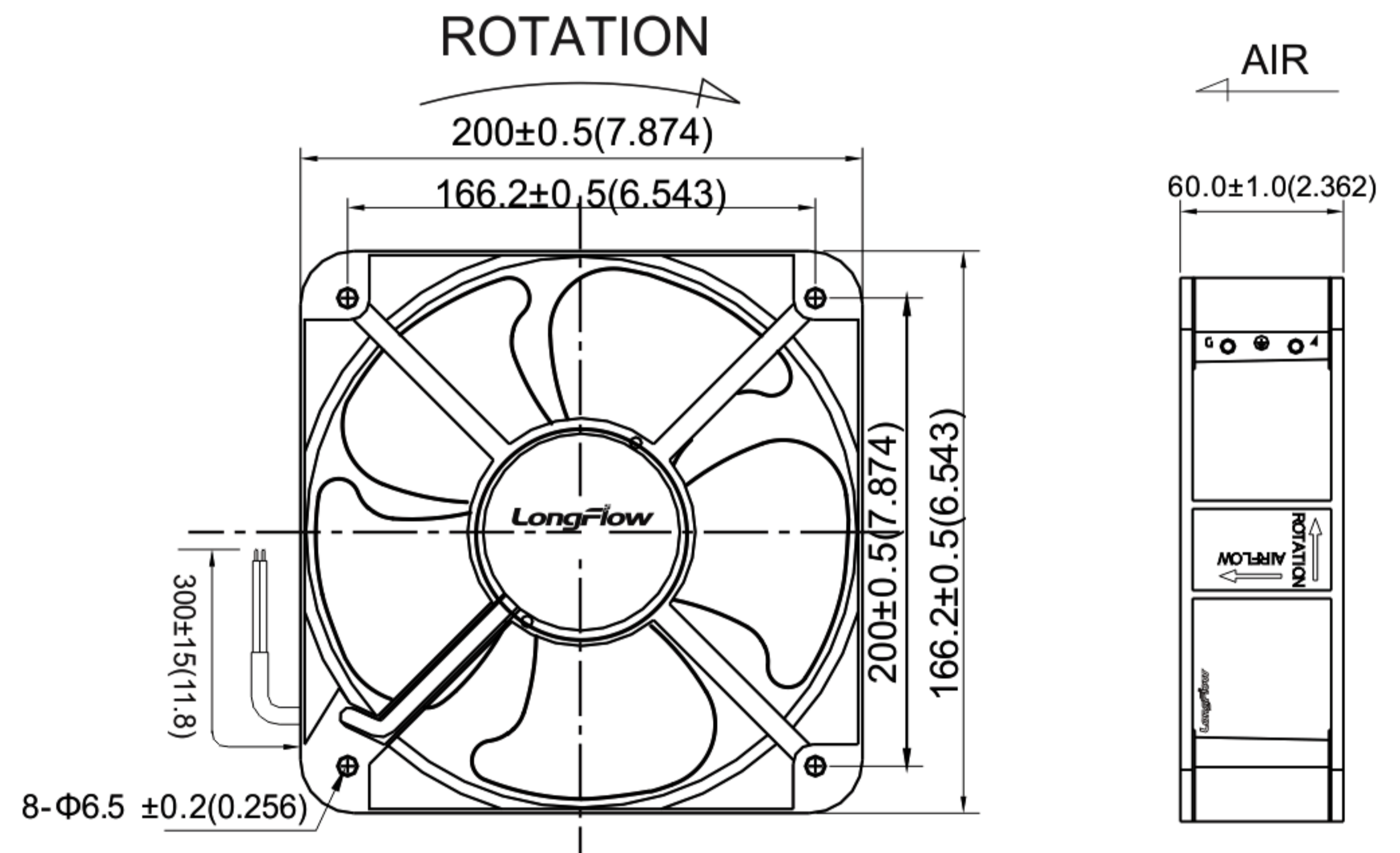


PERFORMANCE CURVES



OUTLINE DRAWING

Units: mm(inch)

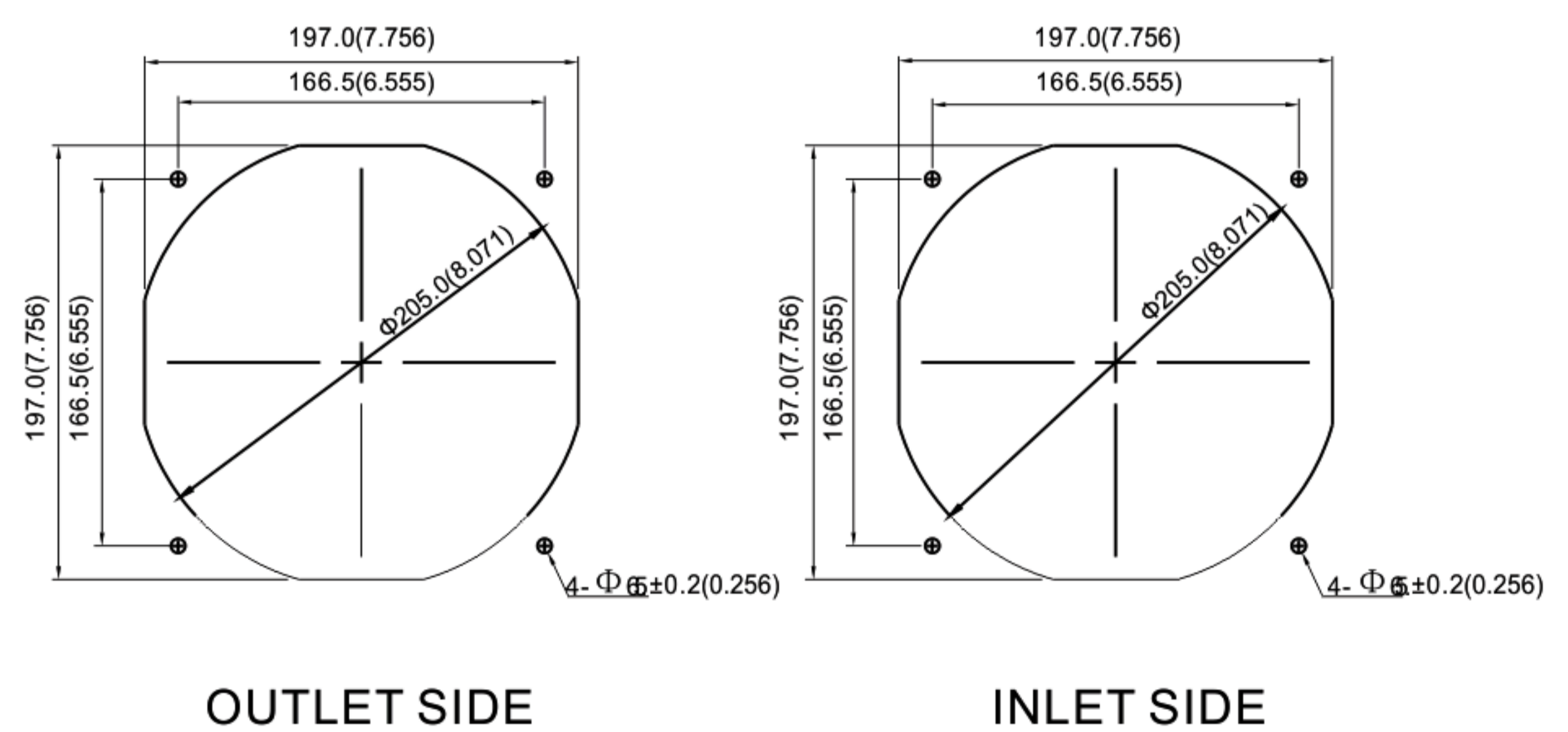


LIFE EXPECTANCY

40°C Ball Bearing 50,000 Hours

PANEL CUT-OUT

Units: mm(inch)



MODEL SPECIFICATIONS

Model	Bearing ● Ball ○ SLEEVE	Rated Voltage (V)	Freq. (Hz)	Rated Current (A)	Input Power (W)	Speed RPM	Noise Level dBA	Max. Air Flow [50 60Hz]		Max. Air Pressure[50 60Hz]				Weight (G)				
								CFM	M ³ /MIN	mm H ₂ O	in H ₂ O	Pa						
LFA2060AB11	●	110-120	50/60	0.30	65	2300	54	350	350	9.91	9.91	20.30	20.30	0.80	0.80	199	199	1540
LFA2060AB23	●	220-240	50/60	0.45	65	2300	54	350	350	9.91	9.91	20.30	20.30	0.80	0.80	199	199	1540