



**150x150x51mm**  
6.00"x6.00"x2.00"

## GENERAL SPECIFICATIONS

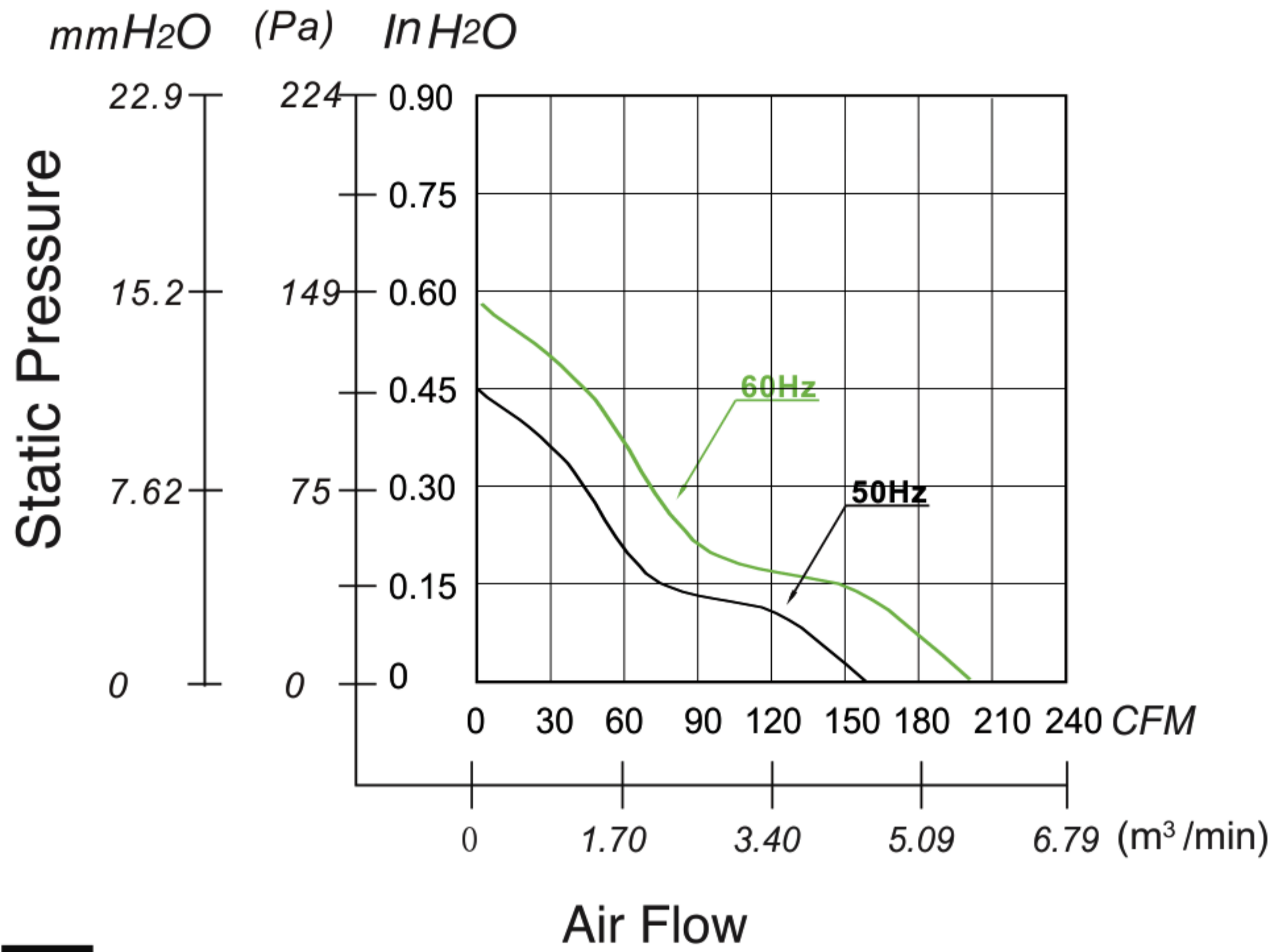
Motor Structure: Shaded Pole Induction Motor  
 Motor Protection: Impedance Protection  
 Insulation Type: CLASS B  
 Dielectric Withstand Voltage: 50/60Hz, 1500VAC 1 MIN  
 (Between Input Terminal and Frame)  
 Allowable Ambient Temperature Range:  
 -10°C ~ +70°C (Operating)  
 -40°C ~ +70°C (Storage)  
 (non-condensing environment)

## MATERIAL

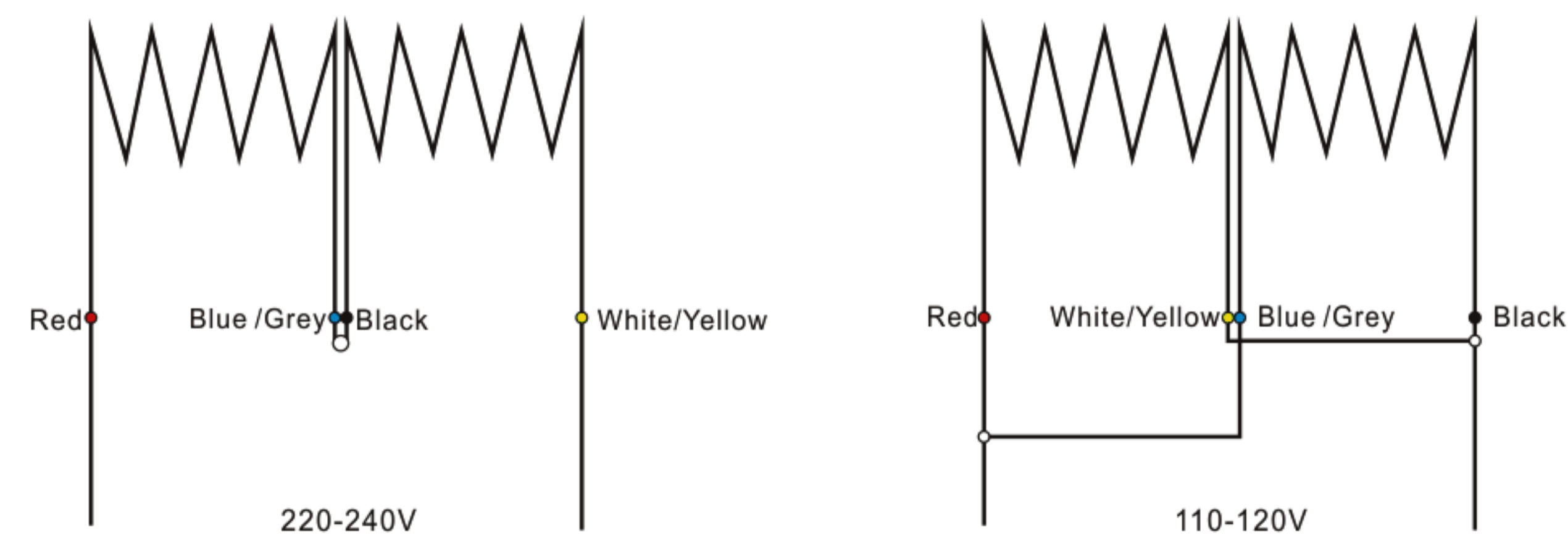
Casing : Aluminum Alloy  
 Impeller : PBT+30% GF  
 Bearing : Ball Bearing  
 Lead Wire : AWG#20 UL1015 / 4 Wires



## PERFORMANCE CURVES



## WIRING DIAGRAM



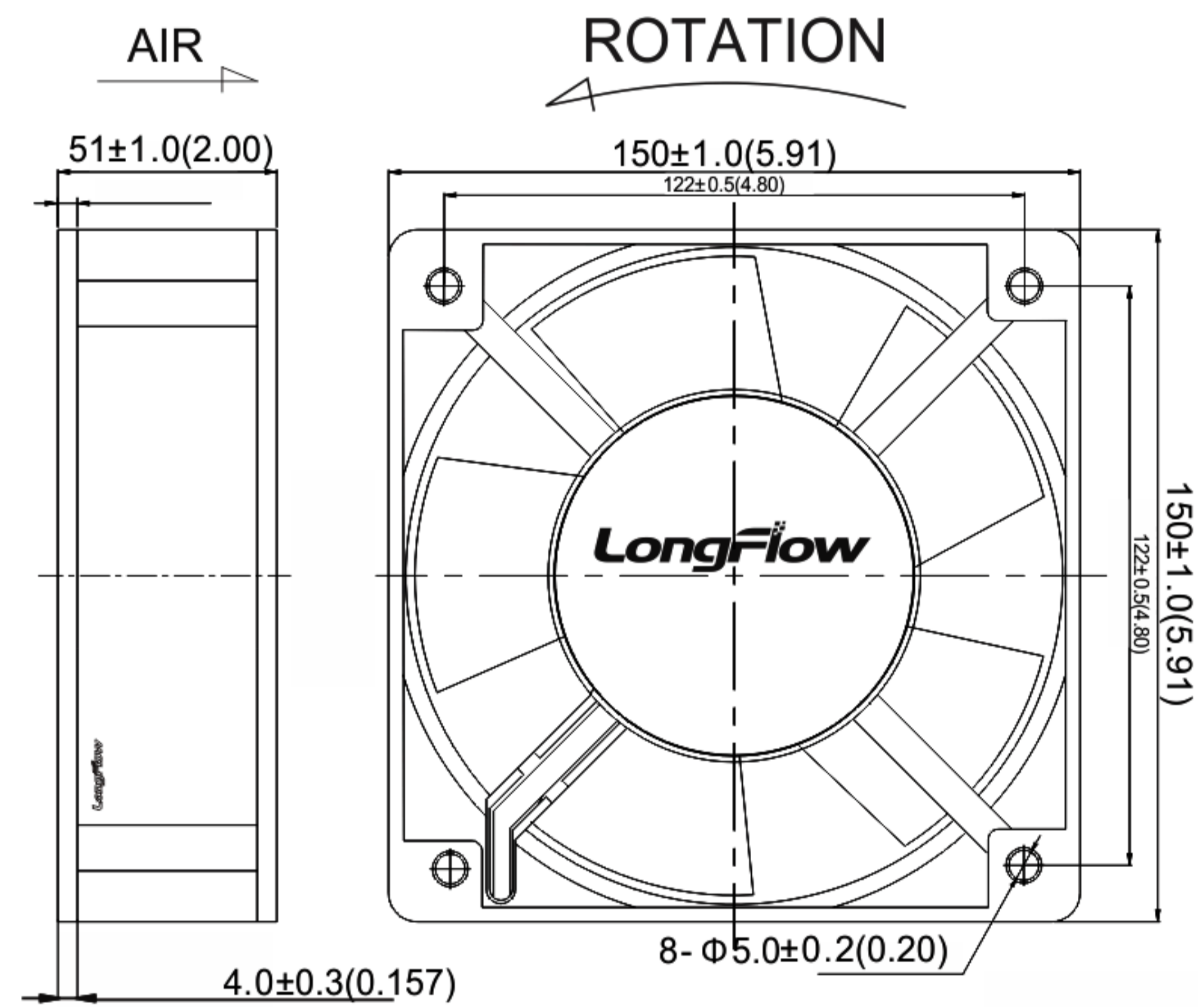
## MODEL SPECIFICATIONS

Model	Bearing ● Ball ○ SLEEVE	Rated Voltage (V)	Freq. (Hz)	Rated Current (A)	Input Power (W)	Speed RPM	Noise Level dBA	Max. Air Flow [50 60Hz]				Max. Air Pressure[50 60Hz]				Weight (G)		
								CFM	M <sup>3</sup> /MIN	mm H <sub>2</sub> O	in H <sub>2</sub> O	Pa						
LFA1551AB12	●	110-120	50/60	0.30/0.23	38/36	2400/2600	53/55	155	198	4.39	5.60	11.42	13.45	0.45	0.53	112	132	800
		220-240	50/60	0.30/0.23	38/36	2400/2600	53/55	155	198	4.39	5.60	11.42	13.45	0.45	0.53	112	132	800

\*Important Note: All specifications and descriptions are for reference only and may be subject to change without prior notice. Please contact us for any update or further information at [marketing@ventilation-fan.com](mailto:marketing@ventilation-fan.com)  
 Copyright © 2009-2017 LONGFLOW All Rights Reserved.

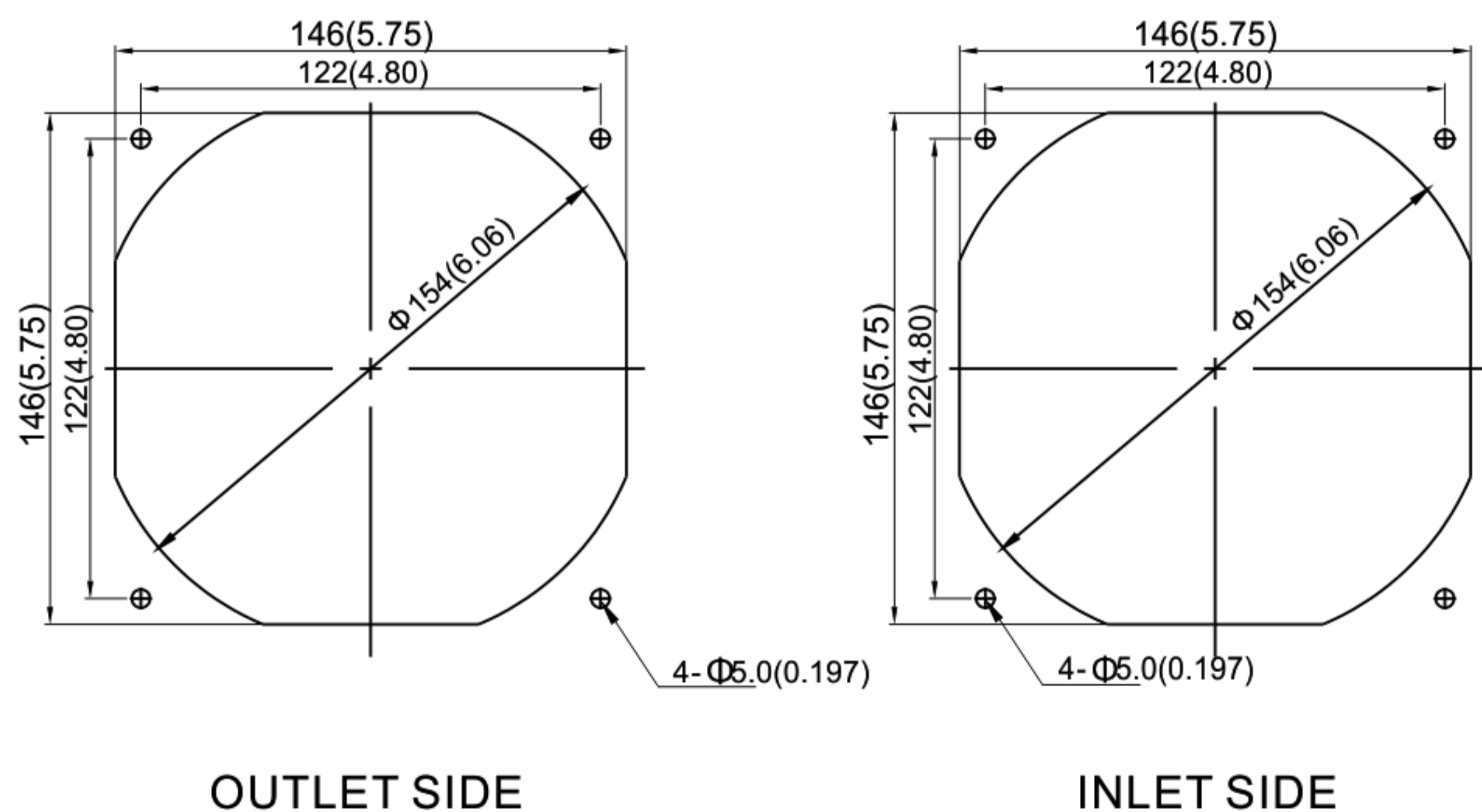
## OUTLINE DRAWING

Units: mm(inch)



## PANEL CUT-OUT

Units: mm(inch)



OUTLET SIDE

INLET SIDE