



**172x150x38mm**  
6.77"x6.00"x1.50"

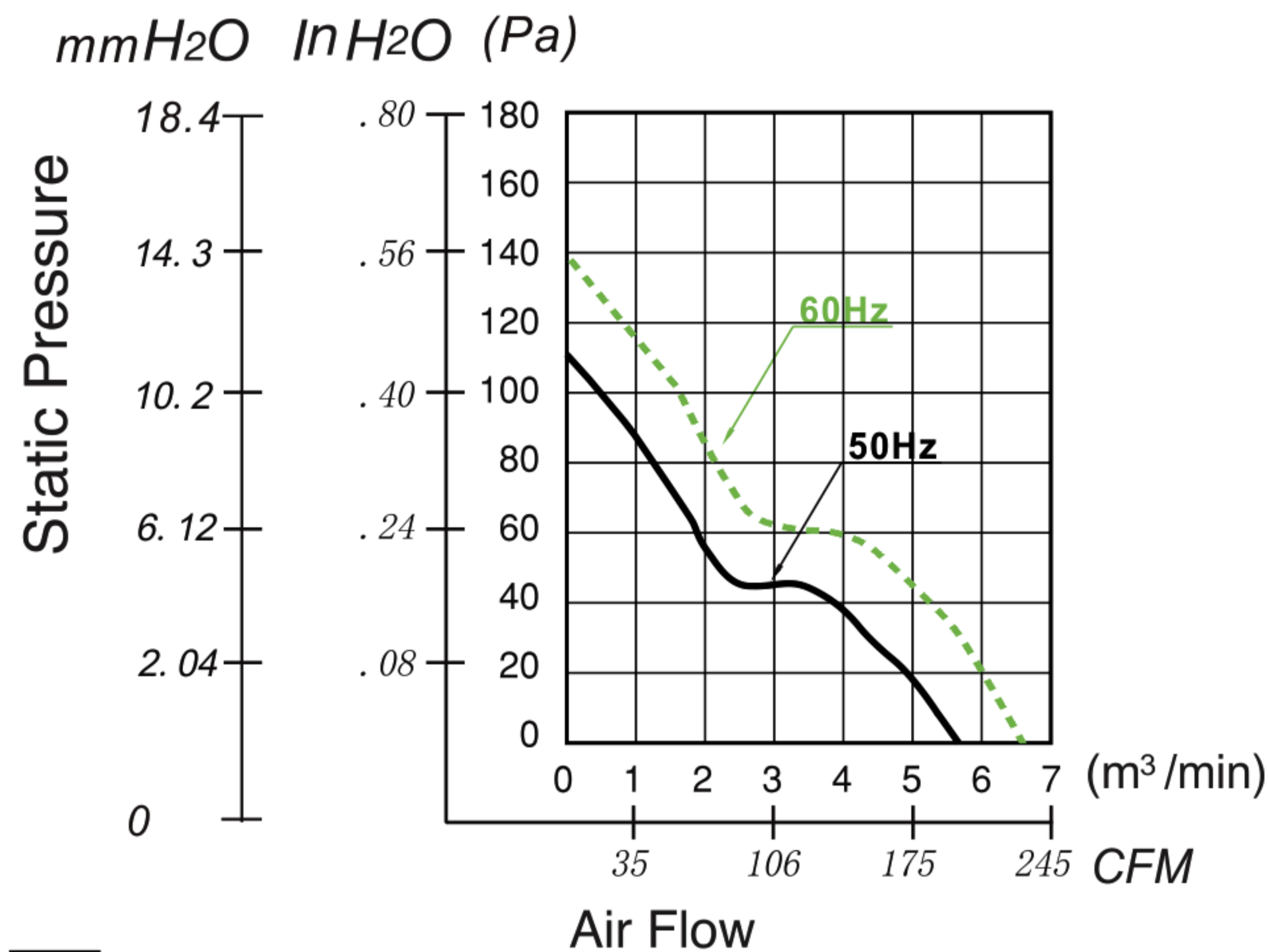
## GENERAL SPECIFICATIONS

Motor Structure: Capacitor-Run Induction Motor  
 Motor Protection: Impedance Protection  
 Insulation Type: CLASS B  
 Dielectric Withstand Voltage: 50/60Hz, 1500VAC 1 MIN  
 (Between Input Terminal and Frame)  
 Allowable Ambient Temperature Range:  
 -10°C ~ +70°C (Operating)  
 -40°C ~ +70°C (Storage)  
 (non-condensing environment)

## MATERIAL

Casing : Aluminum Alloy  
 Impeller : PBT+30% GF  
 Bearing : Ball Bearing  
 Lead Wire : No available, only with Terminal Type

## PERFORMANCE CURVES



## LIFE EXPECTANCY

40°C Ball Bearing 50,000 Hours

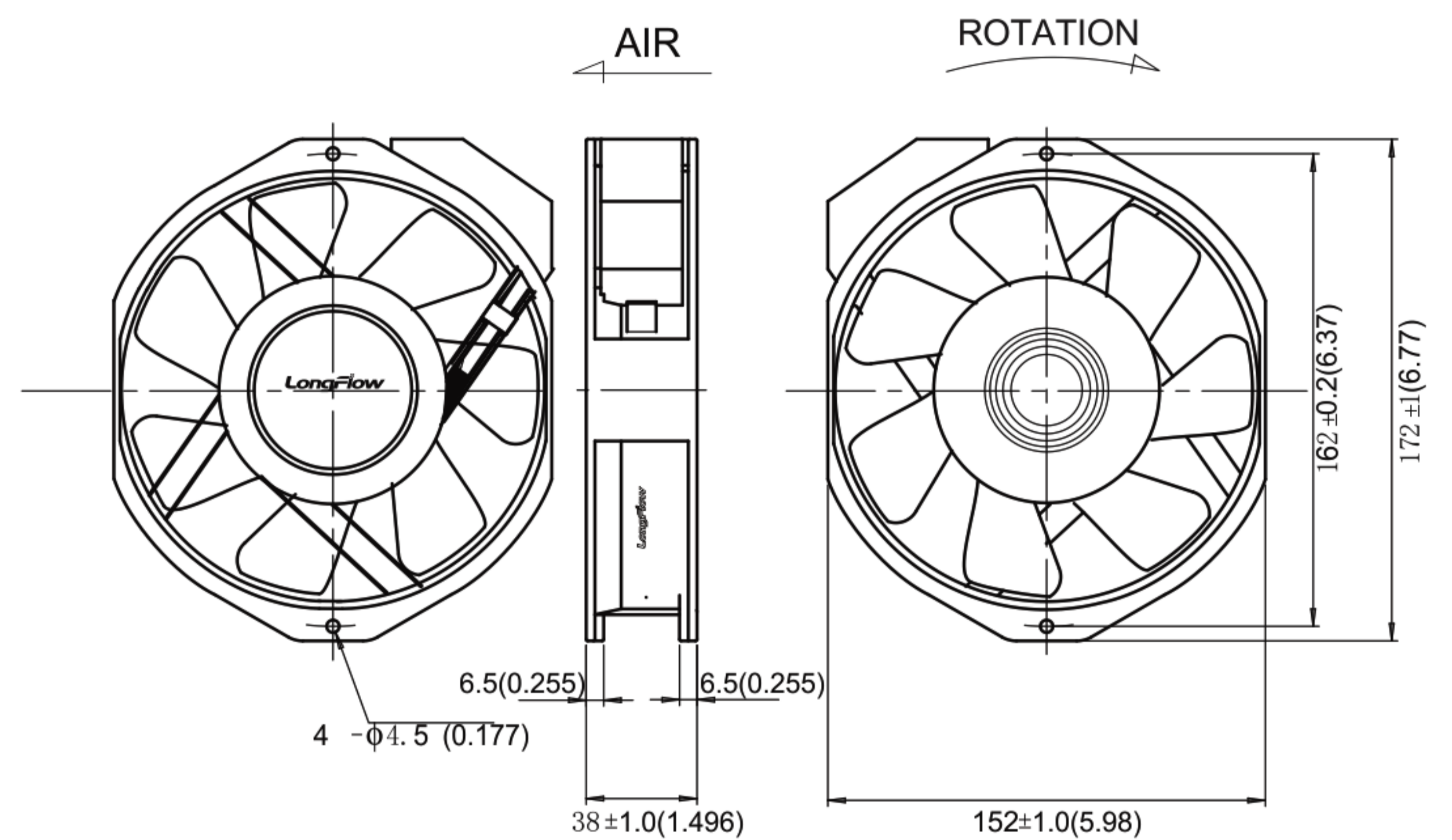
## MODEL SPECIFICATIONS

Model	Bearing ● Ball ◎ SLEEVE	Capacitor u F/v	Rated Voltage (V)	Freq. (Hz)	Rated Current (A)	Input Power (W)	Speed RPM	Noise Level dBA	Max. Air Flow [50/60Hz]				Max. Air Pressure[50/60Hz]				Weight (G)		
									CFM	M³/MIN	mm H <sub>2</sub> O	in H <sub>2</sub> O	Pa						
LFA1738AB11	●	3/400 3/400	110-120	50/60	0.36/0.50	30/50	2400/2800	60/65	194	230	5.49	6.51	10.66	13.45	0.42	0.53	105	132	740
LFA1738AB23	●	1/500 1/400	220-240	50/60	0.18/0.28	30/50	2400/2800	60/65	194	230	5.49	6.51	10.66	13.45	0.42	0.53	105	132	740



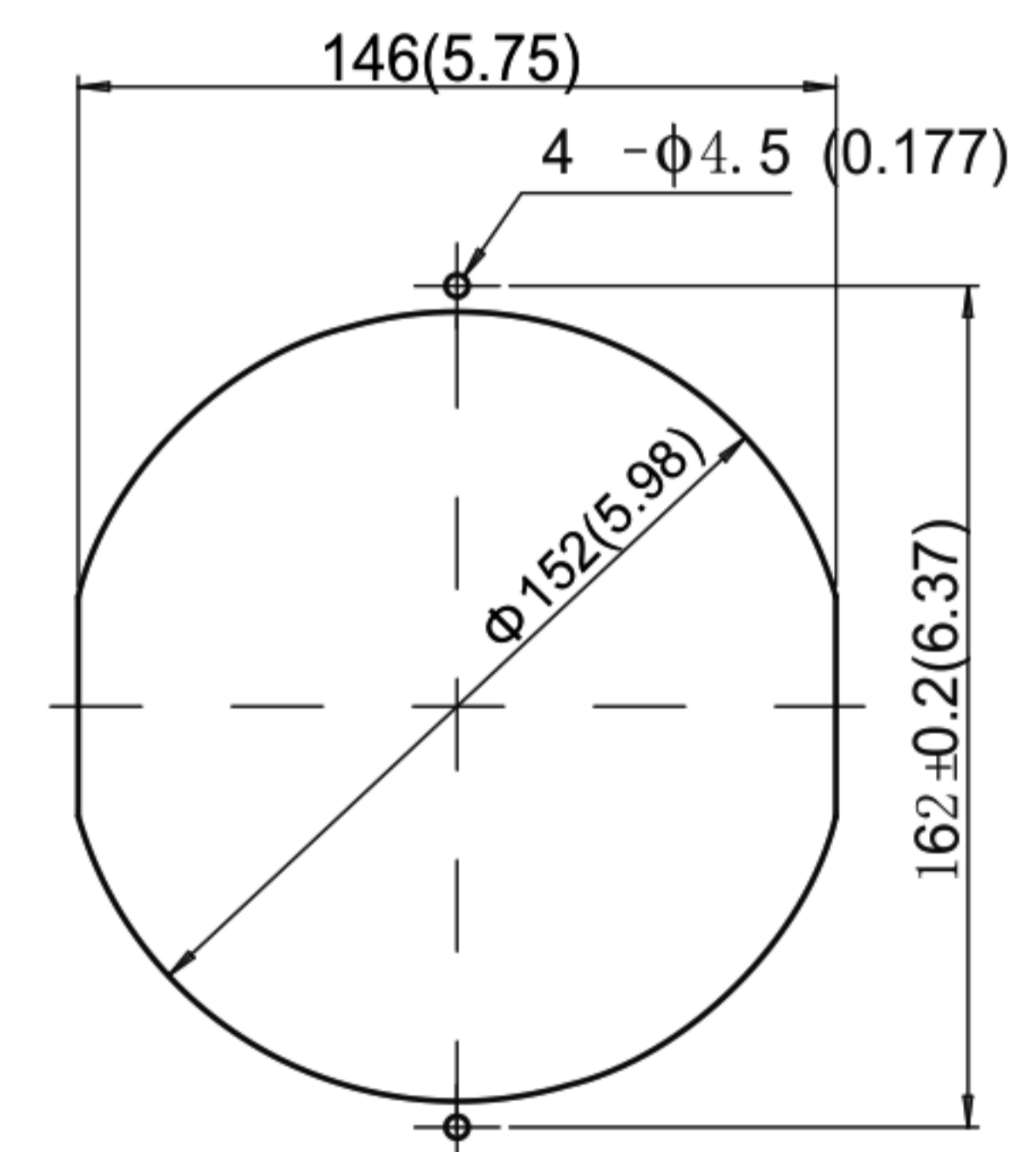
## OUTLINE DRAWING

Units: mm(inch)



## PANEL CUT-OUT

Units: mm(inch)



OUTLET SIDE / INLET SIDE