

60x60x38mm
2.40"x2.40"x1.50"

GENERAL SPECIFICATIONS

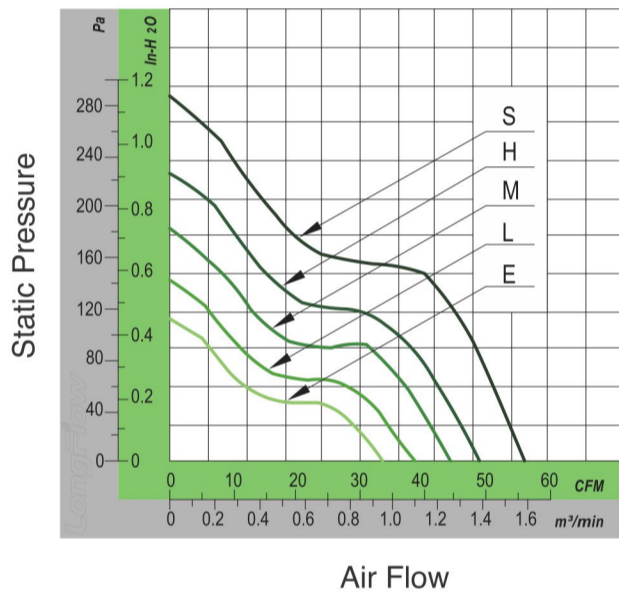
Motor Structure: Brushless DC Motor
 Motor Protection: Auto-Restart | Polarity Protection(Optional)
 Allowable Ambient Temperature Range:
 -10°C ~ +70°C (Operating)
 -40°C ~ +70°C (Storage)
 (non-condensing environment)
 Safety Standard: UL | TUV | ROHS | CE (Optional)
 Customized Fan Features: FG | RD | IP56|PWM (Optional)

MATERIAL

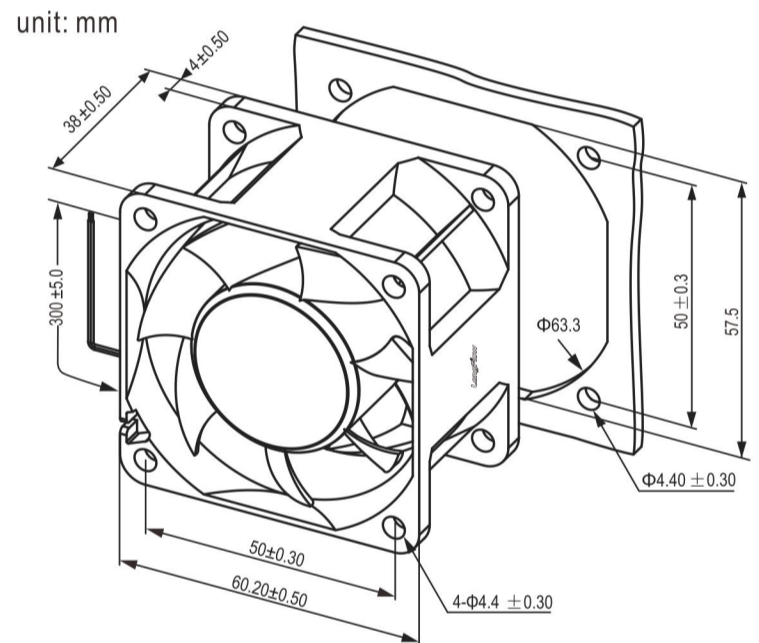
Frame : Plastic (UL94V-0)
 Impeller : Plastic (UL94V-0)
 Bearing&Expected Life:
 Ball Bearing 70,000hrs (40°C)
 Lead Wire : UL1007AWG#24 or Equivalent (+) Red, (-) Black



PERFORMANCE CURVES



OUTLINE DRAWING



MODEL SPECIFICATIONS

Model	Rated Voltage	Operating Voltage	Input Current	Input Power	Speed	Max. Air Flow		Max. Air Pressure			Noise Level	Weight
	(V)	(V)	(A)	(W)	RPM	CFM	M ³ /MIN	mm H ₂ O	in H ₂ O	Pa	dBA	(G)
LFD6038PB12H	12	7.0-13.8	1.00	12.00	9000	49.91	1.41	22.84	0.90	224	60.0	85.0
LFD6038PB12M	12	7.0-13.8	0.70	8.40	8000	44.52	1.26	18.78	0.74	184	55.0	85.0
LFD6038PB12L	12	7.0-13.8	0.50	6.00	7000	39.02	1.10	14.47	0.57	142	51.0	85.0
LFD6038PB12E	12	7.0-13.8	0.40	4.80	6000	33.51	0.95	10.91	0.43	107	47.0	85.0
LFD6038PB24S	24	14.0-27.6	0.65	15.60	10000	56.68	1.60	29.19	1.15	286	65.0	85.0
LFD6038PB24H	24	14.0-27.6	0.50	12.00	9000	49.91	1.41	22.84	0.90	224	60.0	85.0
LFD6038PB24M	24	14.0-27.6	0.35	8.40	8000	44.52	1.26	18.78	0.74	184	55.0	85.0
LFD6038PB24L	24	14.0-27.6	0.30	7.20	7000	39.02	1.10	14.47	0.57	142	51.0	85.0
LFD6038PB24E	24	14.0-27.6	0.25	6.00	6000	33.51	0.95	10.91	0.43	107	47.0	85.0
LFD6038PB48S	48	28.0-56.0	0.35	16.80	10000	56.68	1.60	29.19	1.15	286	65.0	85.0
LFD6038PB48H	48	28.0-56.0	0.30	14.40	9000	49.91	1.41	22.84	0.90	224	60.0	85.0
LFD6038PB48M	48	28.0-56.0	0.25	12.00	8000	44.52	1.26	18.78	0.74	184	55.0	85.0
LFD6038PB48L	48	28.0-56.0	0.20	9.60	7000	39.02	1.10	14.47	0.57	142	51.0	85.0
LFD6038PB48E	48	28.0-56.0	0.15	7.20	6000	33.51	0.95	10.91	0.43	107	47.0	85.0