



**Φ254x89mm**  
Φ10"x3.5"

### GENERAL SPECIFICATIONS

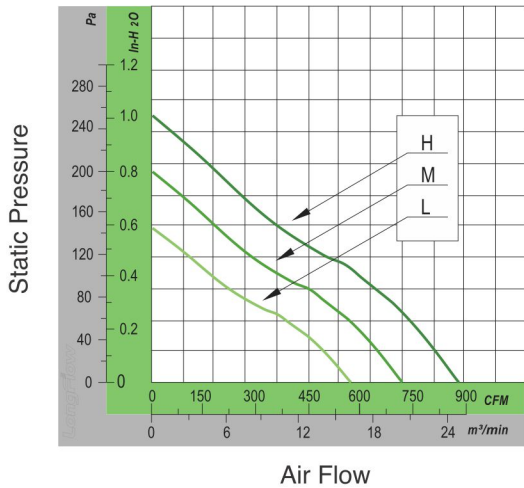
Motor Structure: EC (Electronically Commutated) Motor or Efficient DC Motor with Integrated AC to DC Converter  
 Motor Protection: Auto-Restart | Soft-Start (Optional)  
 Dielectric Strength: 50/60Hz 1500VAC 1min Between Input Terminal and Frame  
 Allowable Ambient Temperature Range: -20°C ~ +70°C (Operating) -40°C ~ +70°C (Storage) (non-condensing environment)  
 Safety Standard: UL | TUV | ROHS | CE (Optional)  
 Customized Fan Features: FG | RD | IP54 | PWM (Optional)

### MATERIAL

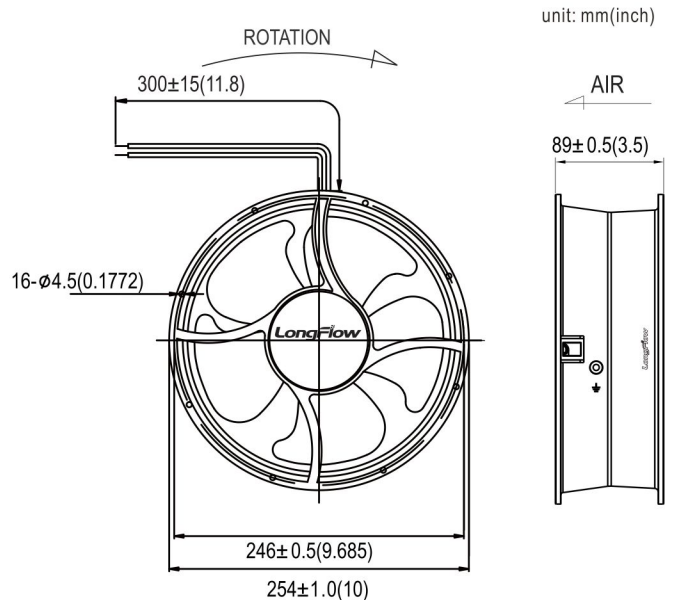
Frame : Aluminum Alloy  
 Impeller : Plastic (UL94V-0)  
 Bearing & Expected Life: Ball Bearing 70,000hrs (40°C)  
 Lead Wire : UL1007AWG#20 300mm or Terminal



### PERFORMANCE CURVES



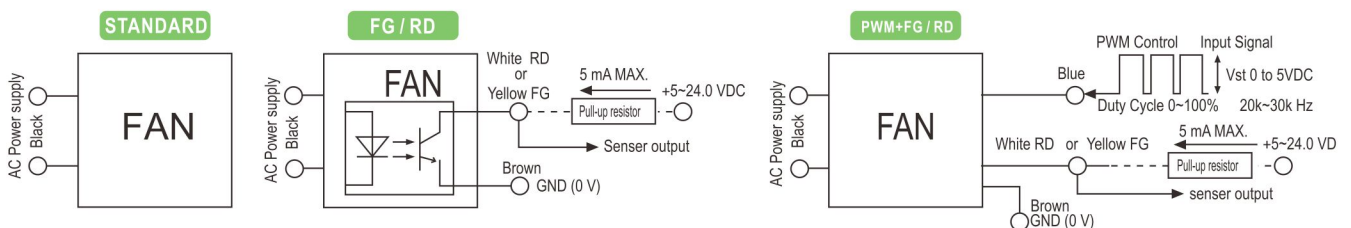
### OUTLINE DRAWING



### MODEL SPECIFICATIONS

Model	Rated Voltage	Freq.	Rated Current	Input Power	Speed	Max. Air Flow		Max. Air Pressure			Noise Level	Weight
	(V)	(Hz)	(A)	(W)	RPM	CFM	M³/MIN	mm H <sub>2</sub> O	in H <sub>2</sub> O	Pa	dBA	(G)
LFE2589AB12H	110~240	50/60	3.50	76.0	2600	890.00	25.19	25.63	1.01	251	68.0	2140.0
LFE2589AB12M	110~240	50/60	2.20	50.0	2100	718.00	20.32	20.81	0.82	204	55.0	2140.0
LFE2589AB12L	110~240	50/60	1.50	32.0	1600	547.00	15.48	15.74	0.62	154	42.0	2140.0

### WIRING DIAGRAM



\*Important Note: All specifications and descriptions are for reference only and may be subject to change without prior notice. Please contact us for any update or further information at [marketing@ventilation-fan.com](mailto:marketing@ventilation-fan.com)  
 Copyright © 2009-2017 LONGFLOW All Rights Reserved.