

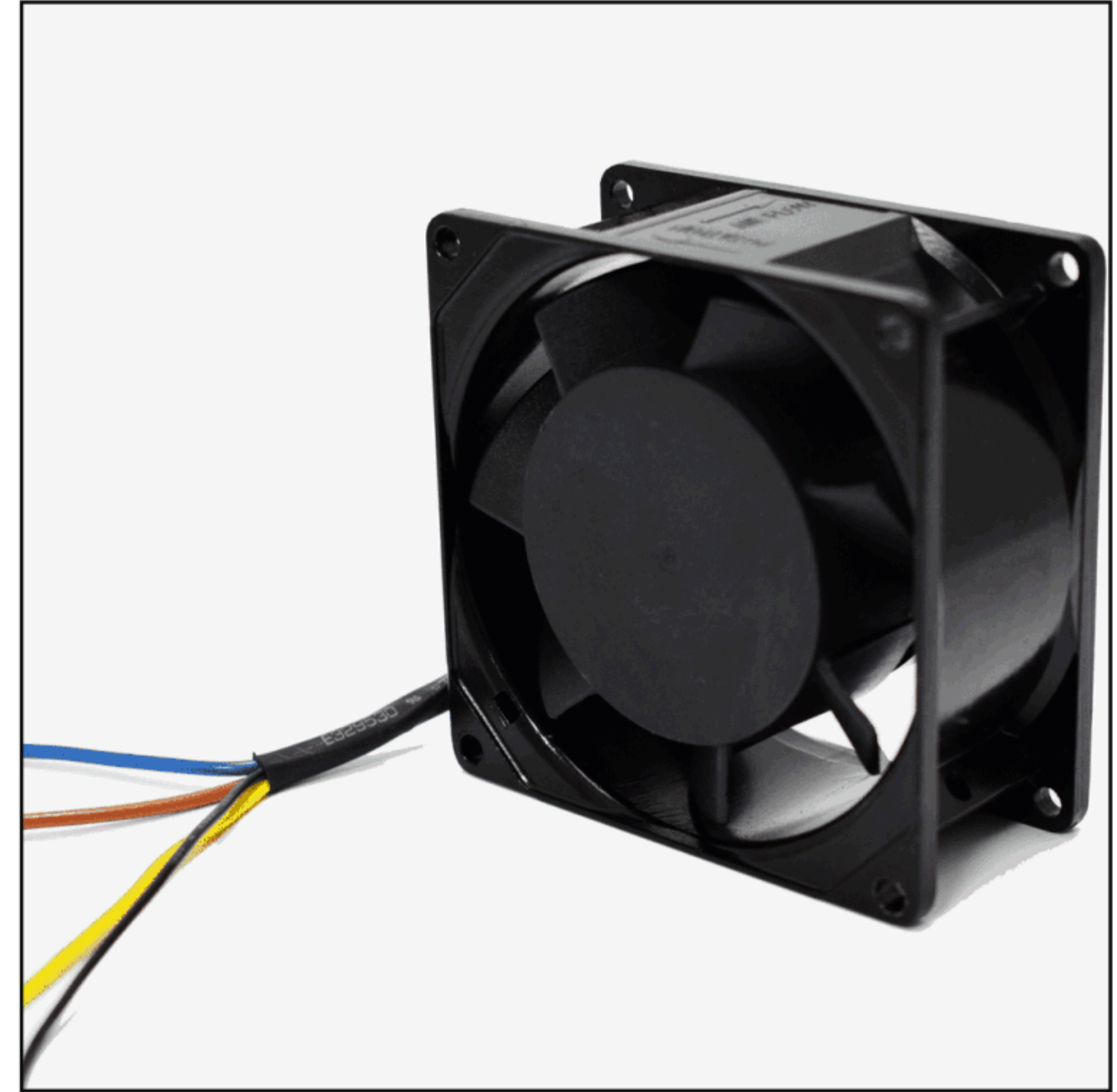
80x80x38mm
3.15"x3.15"x1.50"

GENERAL SPECIFICATIONS

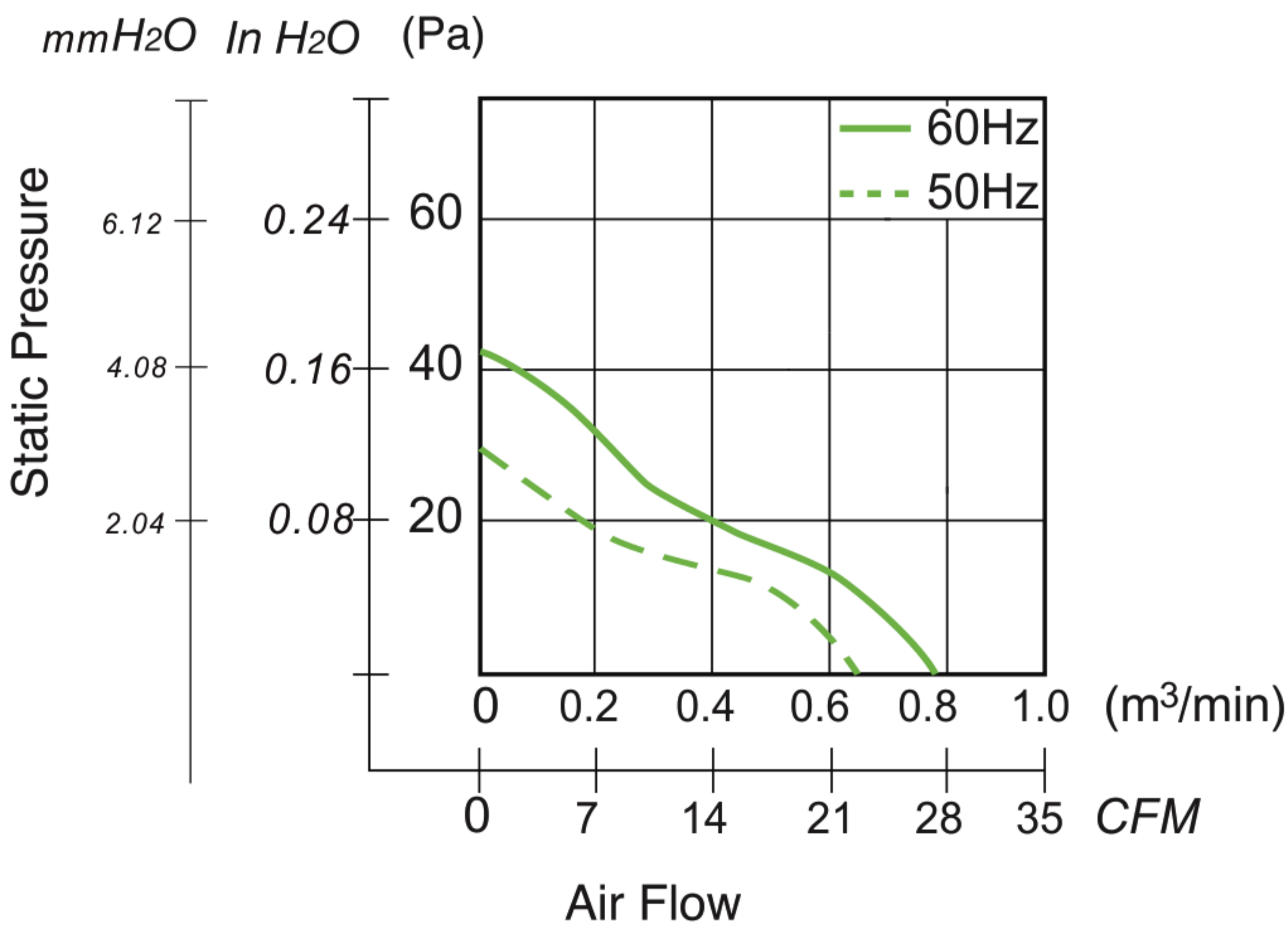
Motor Structure: Shaded Pole Induction Motor
 Motor Protection: Impedance Protection
 Insulation Type: CLASS B
 Dielectric Withstand Voltage: 50/60Hz, 1500VAC 1 MIN
 (Between Input Terminal and Frame)
 Allowable Ambient Temperature Range:
 -10°C ~ +70°C (Operating)
 -40°C ~ +70°C (Storage)
 (non-condensing environment)

MATERIAL

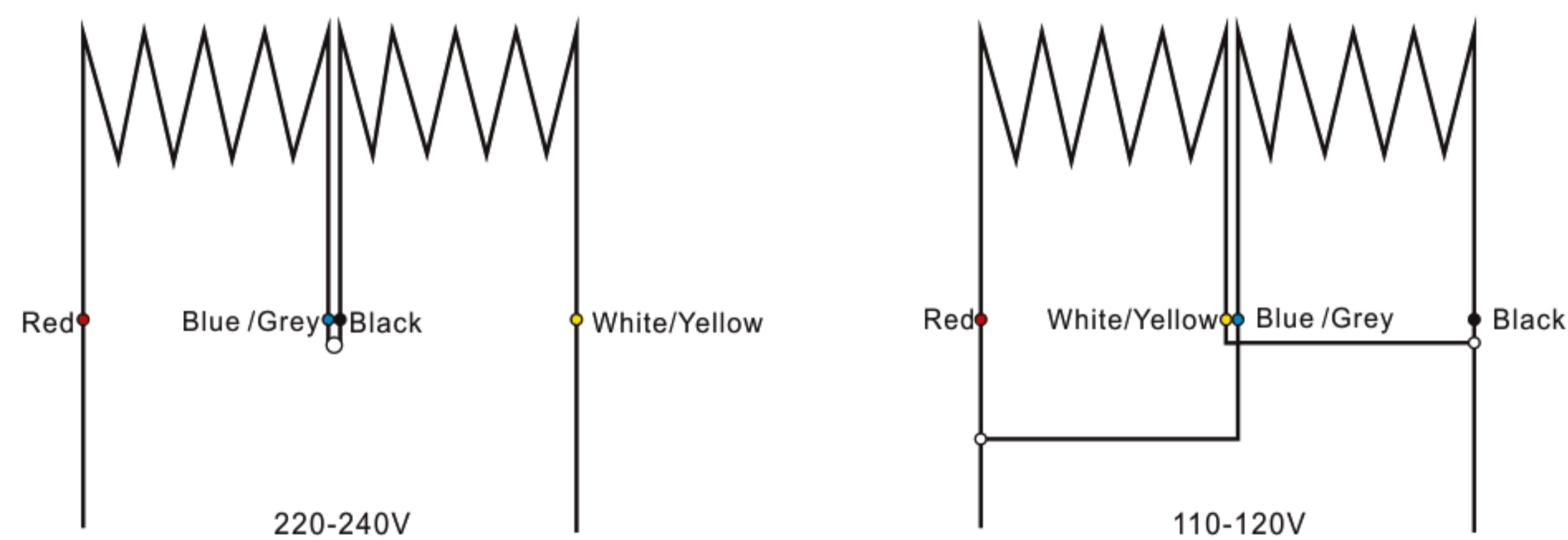
Casing : Aluminum Alloy
 Impeller : PBT+30% GF
 Bearing : Ball Bearing(50,000hours)
 Lead Wire : AWG#22 UL1007 /4 Wires



PERFORMANCE CURVES



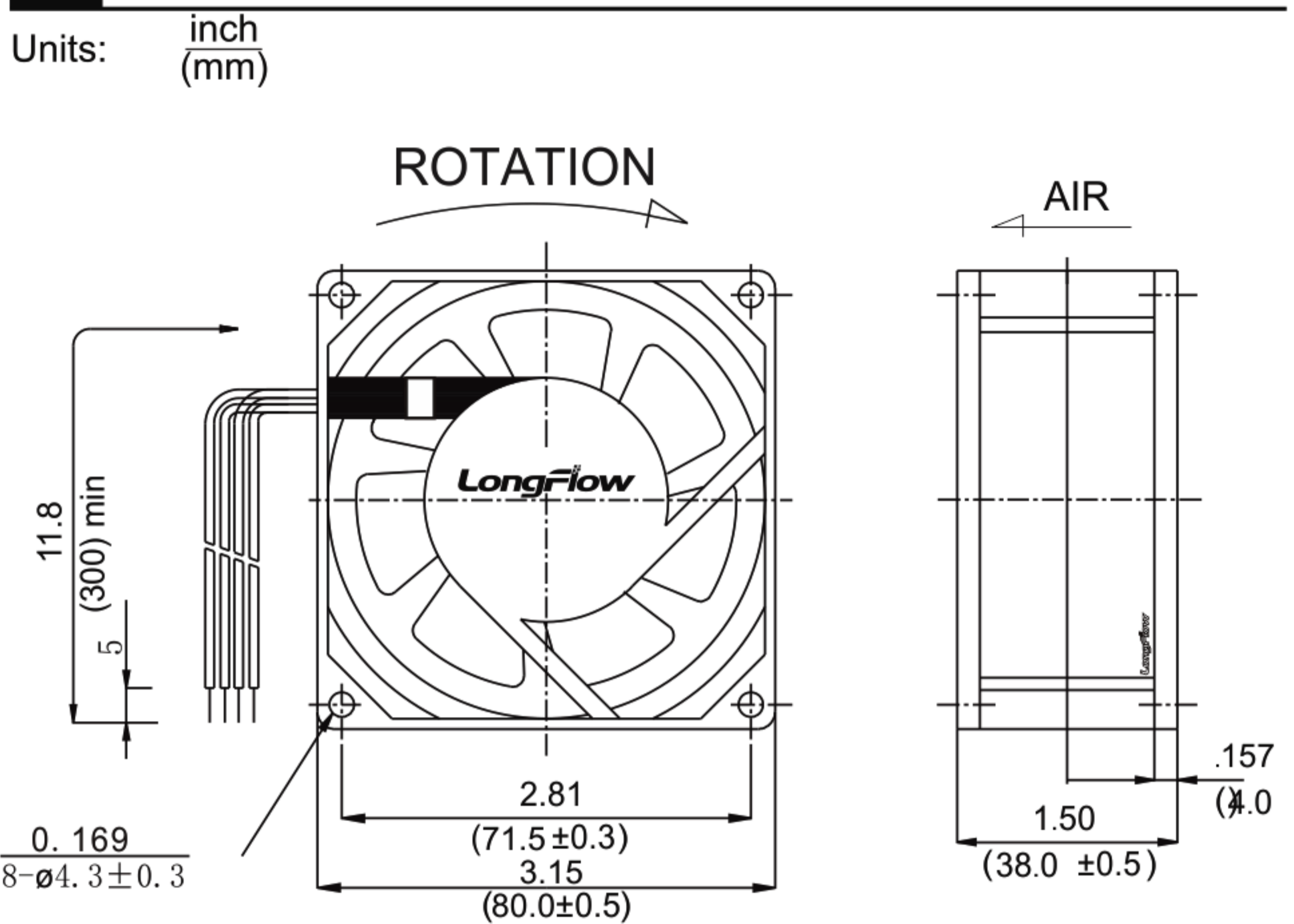
WIRING DIAGRAM



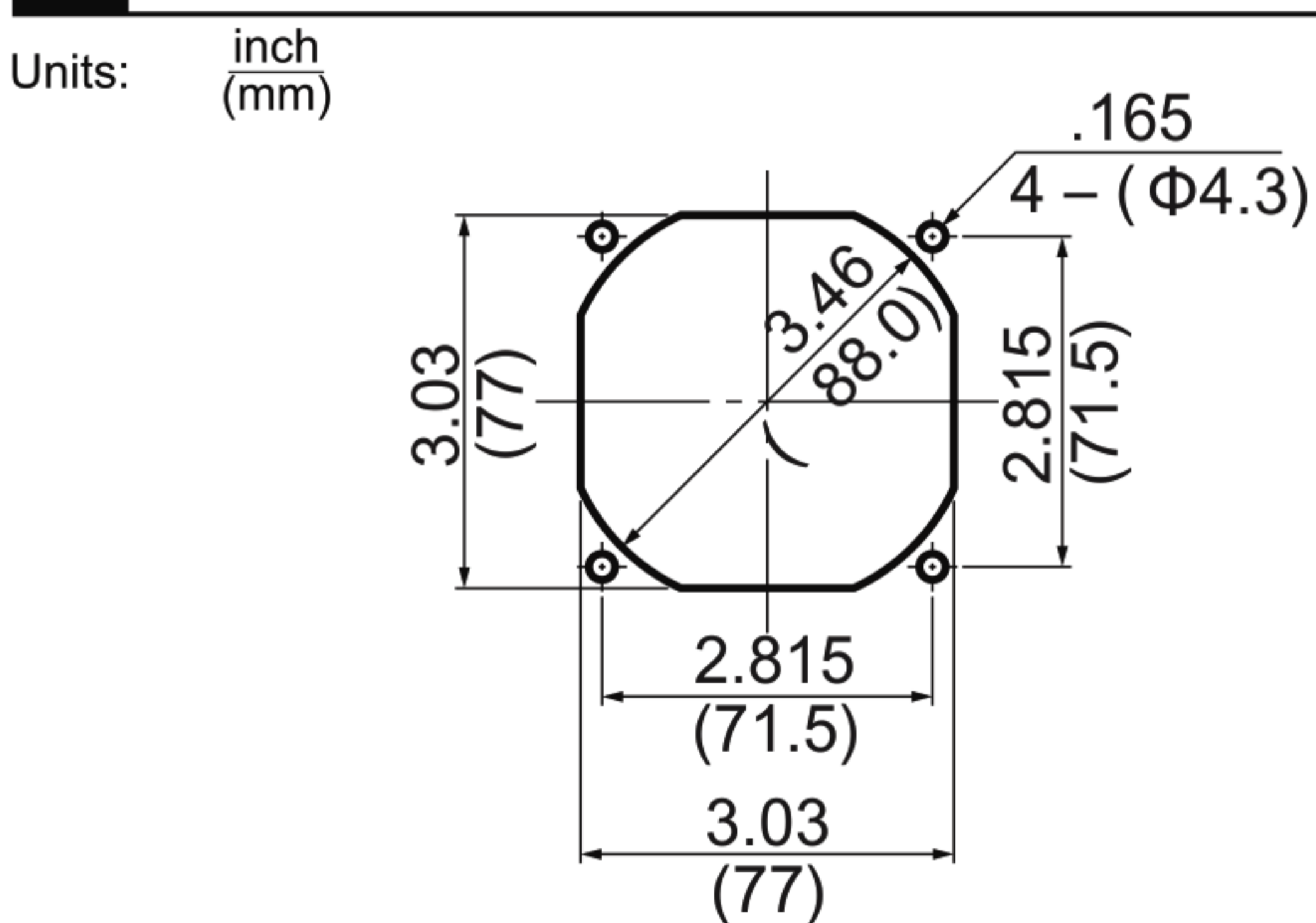
MODEL SPECIFICATIONS

Model	Bearing System ● Ball ○ SLEEVE	Rated Voltage (V)	Freq. (Hz)	Rated Current (A)	Input Power (W)	Speed RPM	Noise Level dBA	Max. Air Flow [50 60Hz]				Max. Air Pressure[50 60Hz]				Weight (G)		
								CFM		M³/MIN		mm H ₂ O		in H ₂ O			Pa	
LFA8038AB12	●	110-120	50/60	0.15/0.13	17/15	2400/2800	32/36	24	28	0.68	0.79	2.8	4.4	0.13	0.19	27	43	330
		220-240	50/60	0.07/0.06	17/15	2400/2800	32/36	24	28	0.68	0.79	2.8	4.4	0.13	0.19	27	43	330

OUTLINE DRAWING



PANEL CUT-OUT



INLET SIDE / OUTLET SIDE