

80x80x38mm
2.36"x2.36"x1.50"

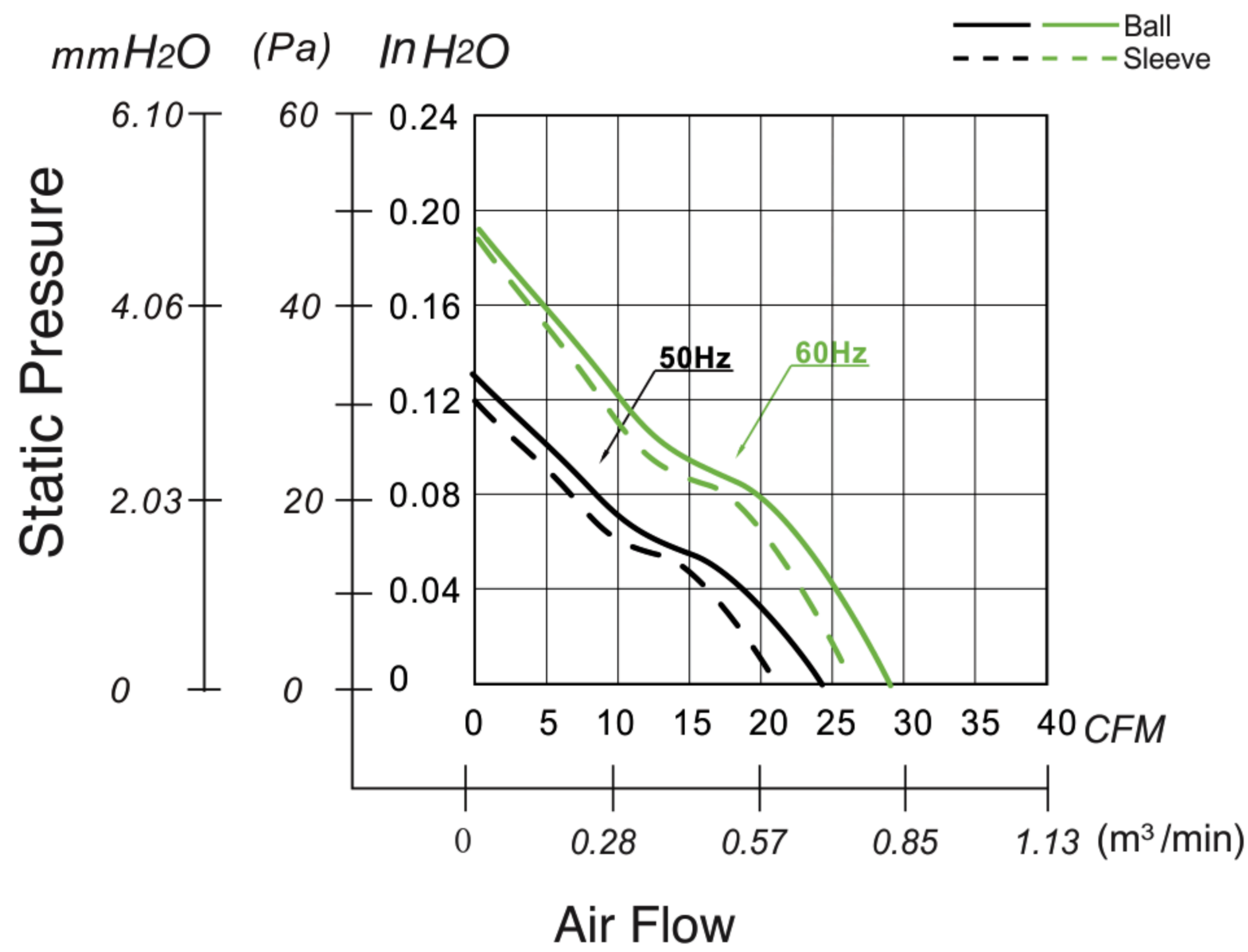
GENERAL SPECIFICATIONS

Motor Structure: Shaded Pole Induction Motor
 Motor Protection: Impedance Protection
 Insulation Type: CLASS B
 Dielectric Withstand Voltage: 50/60Hz, 1500VAC 1 MIN
 (Between Input Terminal and Frame)
 Allowable Ambient Temperature Range:
 -10°C ~ +70°C (Operating)
 -40°C ~ +70°C (Storage)
 (non-condensing environment)

MATERIAL

Casing : Aluminum Alloy
 Impeller : PBT+30% GF
 Bearing : Sleeve Bearing Or Ball Bearing
 Lead Wire : AWG#22 UL1007 Black(Optional)

PERFORMANCE CURVES



LIFE EXPECTANCY

40°C Sleeve Bearing 30,000 Hours
 40°C Ball Bearing 50,000 Hours

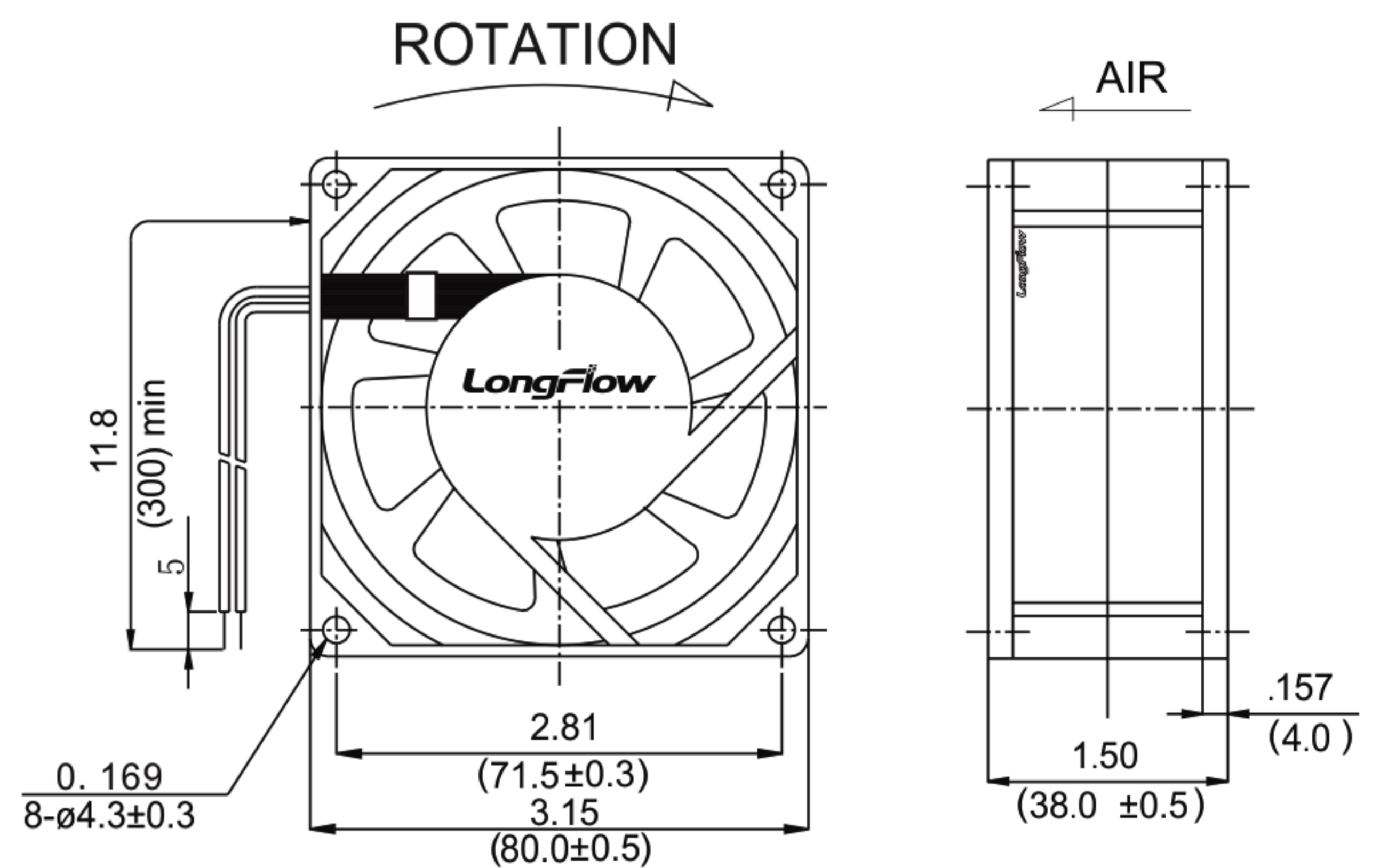
MODEL SPECIFICATIONS

Model	Bearing ● Ball ○ SLEEVE	Rated Voltage (V)	Freq. (Hz)	Rated Current (A)	Input Power (W)	Speed RPM	Noise Level dBA	Max. Air Flow [50 60Hz]		Max. Air Pressure[50 60Hz]				Weight (G)				
								CFM	M ³ /MIN	mm H ₂ O	in H ₂ O	Pa	(G)					
LFA8038AS11	○	110-120	50/60	0.15/0.13	17/15	2300/2700	30/34	22	26	0.62	0.74	2.8	4.4	0.12	0.18	27	43	320
LFA8038AS23	○	220-240	50/60	0.07/0.06	17/15	2300/2700	30/34	22	26	0.62	0.74	2.8	4.4	0.12	0.18	27	43	320
LFA8038AB11	●	110-120	50/60	0.15/0.13	17/15	2400/2800	32/36	24	28	0.68	0.79	2.8	4.4	0.13	0.19	27	43	320
LFA8038AB23	●	220-240	50/60	0.07/0.06	17/15	2400/2800	32/36	24	28	0.68	0.79	2.8	4.4	0.13	0.19	27	43	320



OUTLINE DRAWING

Units: inch (mm)



PANEL CUT-OUT

Units: inch (mm)

