

Φ254x89mm
Φ10"x3.5"

GENERAL SPECIFICATIONS

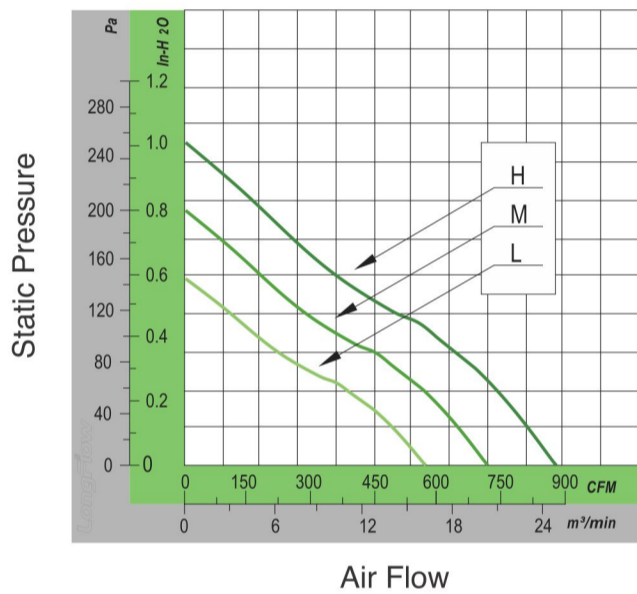
Motor Structure: 9-Poles Brushless DC Motor
 Motor Protection: Auto-Restart | Polarity Protection|Soft-Start
 Allowable Ambient Temperature Range:
 -10°C ~ +70°C (Operating)
 -40°C ~ +70°C (Storage)
 (non-condensing environment)
 Safety Standard: ROHS | CE
 Customized Fan Features:
 FG | RD | IP56 |PWM|Thermal Control (Optional)

MATERIAL

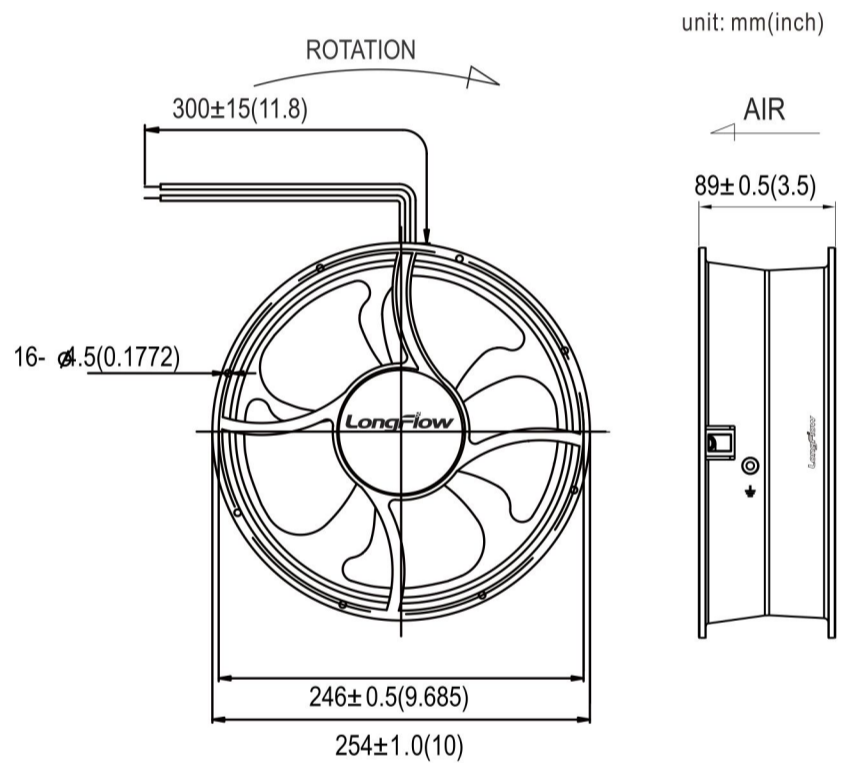
Frame : Aluminum Alloy
 Impeller : Plastic (UL94V-0)
 Bearing&Expected Life:
 Ball Bearing 70,000hrs (40°C)
 Lead Wire : UL1007AWG#22 or Equivalent (+) Red, (-) Black



PERFORMANCE CURVES



OUTLINE DRAWING



MODEL SPECIFICATIONS

Model	Rated Voltage	Operating Voltage	Input Current	Input Power	Speed	Max. Air Flow		Max. Air Pressure			Noise Level	Weight
	(V)	(V)	(A)	(W)	RPM	CFM	M³/MIN	mm H ₂ O	in H ₂ O	Pa	dBA	(G)
LFD2589AB24H	24	14.0-27.6	3.50	84.00	2600	890.00	25.19	25.63	1.01	251	68.0	2140.0
LFD2589AB24M	24	14.0-27.6	2.20	52.80	2100	718.00	20.32	20.81	0.82	204	55.0	2140.0
LFD2589AB24L	24	14.0-27.6	1.50	36.00	1600	547.00	15.48	15.74	0.62	154	42.0	2140.0
LFD2589AB48H	48	28.0-56.0	2.00	96.00	2600	890.00	25.19	25.63	1.01	251	68.0	2140.0
LFD2589AB48M	48	28.0-56.0	1.20	57.60	2100	718.00	20.32	20.81	0.82	204	55.0	2140.0
LFD2589AB48L	48	28.0-56.0	0.80	38.40	1600	547.00	15.48	15.74	0.62	154	42.0	2140.0