



80x80x25mm
3.15"x3.15"x1.00"

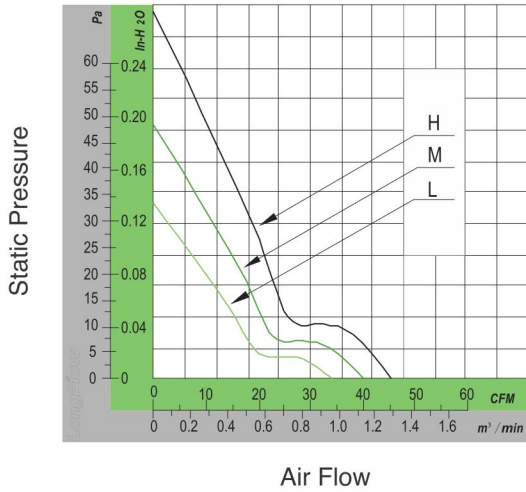
GENERAL SPECIFICATIONS

Motor Structure: EC (Electronically Commutated) Motor or Efficient DC Motor with Integrated AC to DC Converter
 Motor Protection: Auto-Restart | Soft-Start (Optional)
 Dielectric Strength: 50/60Hz 1500VAC 1min Between Input Terminal and Frame
 Allowable Ambient Temperature Range: -20°C ~ +70°C (Operating) -40°C ~ +70°C (Storage) (non-condensing environment)
 Safety Standard: UL | TUV | ROHS | CE (Optional)
 Customized Fan Features: FG | RD | IP54 | PWM (Optional)

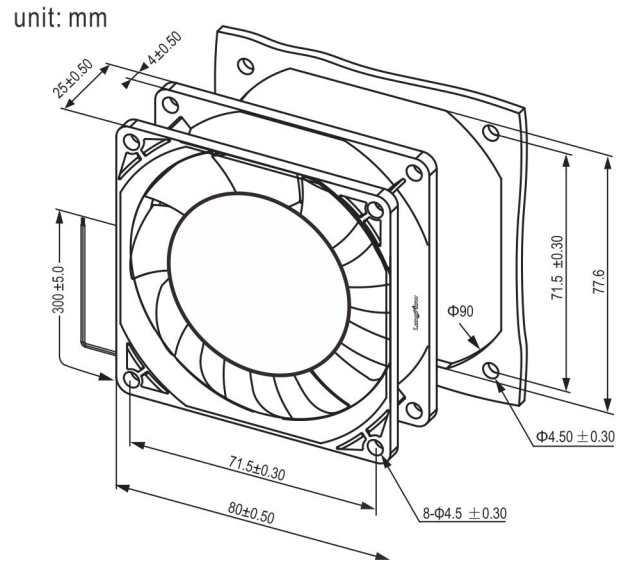
MATERIAL

Frame : Aluminum Alloy
 Impeller : Plastic (UL94V-0)
 Bearing & Expected Life: Ball Bearing 70,000hrs (40°C)
 Lead Wire : UL1007AWG#24 300mm or Terminal

PERFORMANCE CURVES



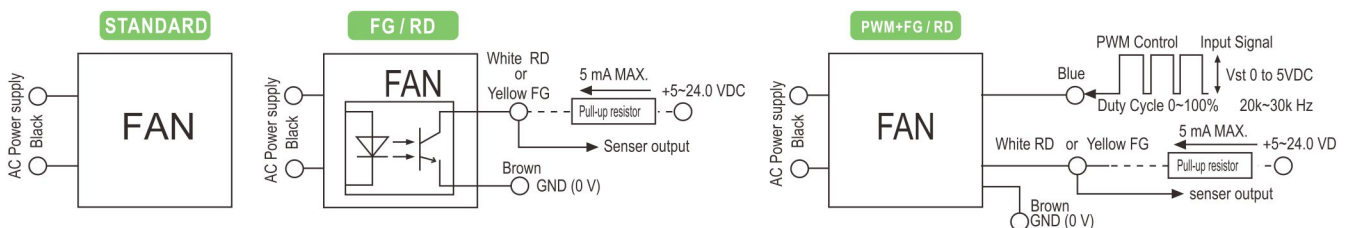
OUTLINE DRAWING



MODEL SPECIFICATIONS

Model	Rated Voltage	Freq.	Rated Current	Input Power	Speed	Max. Air Flow		Max. Air Pressure			Noise Level	Weight
	(V)					(Hz)	(A)	(W)	RPM	CFM		
LFE8025NB12H	110~240	50/60	0.05	5.0	3500	45.5	1.29	6.85	0.27	67	39	160
LFE8025NB12M	110~240	50/60	0.04	3.1	3000	39.0	1.10	5.08	0.20	50	33	160
LFE8025NB12L	110~240	50/60	0.03	1.8	2500	32.5	0.92	3.55	0.14	35	30	160

WIRING DIAGRAM



*Important Note: All specifications and descriptions are for reference only and may be subject to change without prior notice. Please contact us for any update or further information at marketing@ventilation-fan.com
 Copyright © 2009-2017 LONGFLOW All Rights Reserved.