

80x80x20mm
3.15"x3.15"x0.80"

GENERAL SPECIFICATIONS

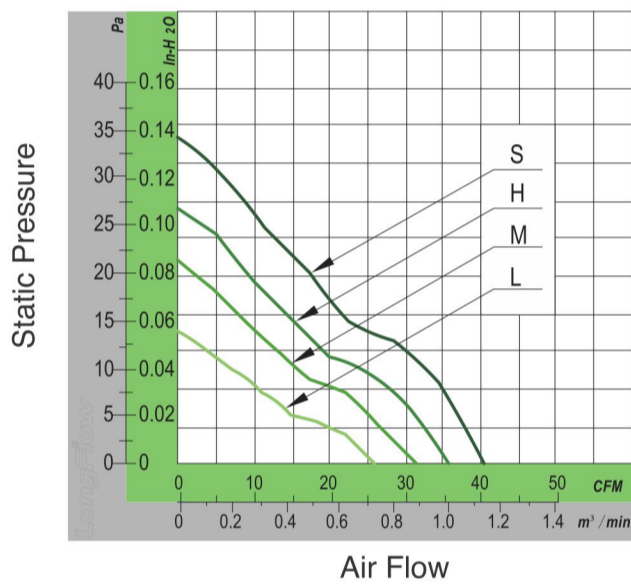
Motor Structure: Brushless DC Motor
 Motor Protection: Auto-Restart | Polarity Protection(Optional)
 Allowable Ambient Temperature Range:
 -10°C ~ +70°C (Operating)
 -40°C ~ +70°C (Storage)
 (non-condensing environment)
 Safety Standard: UL | TUV | ROHS | CE (Optional)
 Customized Fan Features: FG | RD | IP56|PWM (Optional)



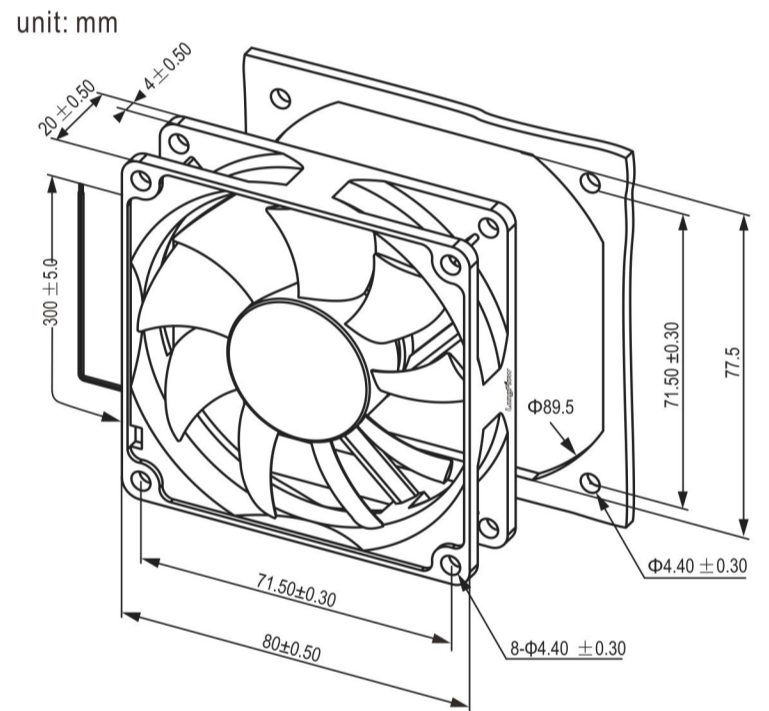
MATERIAL

Frame : Plastic (UL94V-0)
 Impeller : Plastic (UL94V-0)
 Bearing&Expected Life:
 Sleeve Bearing 30,000hrs (40°C);
 Ball Bearing 70,000hrs (40°C)
 Lead Wire : UL1007AWG#24 or Equivalent (+) Red, (-) Black

PERFORMANCE CURVES



OUTLINE DRAWING



MODEL SPECIFICATIONS

Model	Rated Voltage	Operating Voltage	Input Current	Input Power	Speed	Max. Air Flow		Max. Air Pressure			Noise Level	Weight
	(V)	(V)	(A)	(W)	RPM	CFM	M ³ /MIN	mm H ₂ O	in H ₂ O	Pa	dBA	(G)
LFD8020NX12S	12	7.0-13.8	0.35	4.20	3500	40.31	1.14	3.55	0.14	35	35.0	58.0
LFD8020NX12H	12	7.0-13.8	0.25	3.00	3000	35.09	0.99	2.79	0.11	27	32.0	58.0
LFD8020NX12M	12	7.0-13.8	0.18	2.16	2500	30.72	0.87	2.03	0.08	20	25.0	58.0
LFD80205NX12L	12	7.0-13.8	0.13	1.56	2000	25.44	0.72	1.52	0.06	15	22.0	58.0
LFD8020NX24S	24	14.0-27.6	0.18	4.32	3500	40.31	1.14	3.55	0.14	35	35.0	58.0
LFD8020NX24H	24	14.0-27.6	0.14	3.36	3000	35.09	0.99	2.79	0.11	27	32.0	58.0
LFD8020NX24M	24	14.0-27.6	0.10	2.40	2500	30.72	0.87	2.03	0.08	20	25.0	58.0
LFD8020NX24L	24	14.0-27.6	0.07	1.68	2000	25.44	0.72	1.52	0.06	15	22.0	58.0

* X refers to bearing type and can be B or S (B: ball bearing; S: sleeve bearing)