

120x120x38mm
4.72"x4.72"x1.50"

GENERAL SPECIFICATIONS

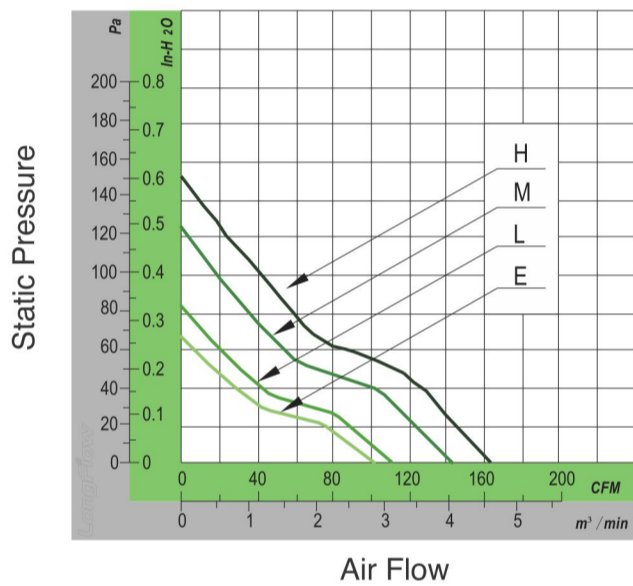
Motor Structure: Brushless DC Motor
 Motor Protection:
 Auto-Restart | Polarity Protection|Soft Start(Optional)
 Allowable Ambient Temperature Range:
 -10°C ~ +70°C (Operating)
 -40°C ~ +70°C (Storage)
 (non-condensing environment)
 Safety Standard: UL | TUV | ROHS | CE (Optional)
 Customized Fan Features: FG | RD | IP56|PWM (Optional)

MATERIAL

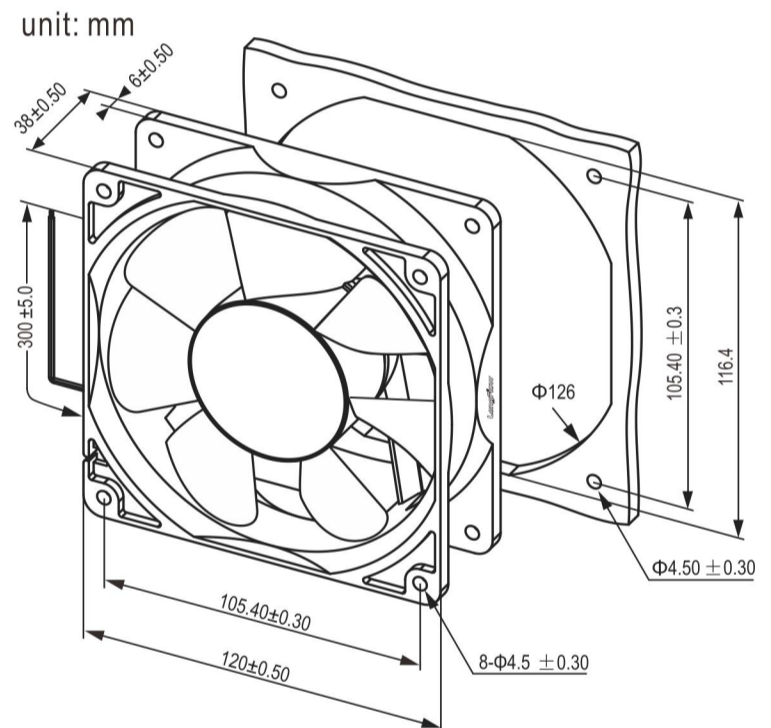
Frame : Aluminum Alloy
 Impeller : Plastic (UL94V-0)
 Bearing&Expected Life:
 Ball Bearing 70,000hrs (40°C)
 Lead Wire : UL1007AWG#24 or Equivalent (+) Red, (-) Black



PERFORMANCE CURVES



OUTLINE DRAWING



MODEL SPECIFICATIONS

Model	Rated Voltage	Operating Voltage	Input Current	Input Power	Speed	Max. Air Flow		Max. Air Pressure			Noise Level	Weight
	(V)	(V)	(A)	(W)	RPM	CFM	M ³ /MIN	mm H ₂ O	in H ₂ O	Pa	dBA	(G)
LFD1238AB12H	12	7.0-13.8	1.50	18.00	4000	165.05	4.67	15.23	0.60	149	58.0	272.0
LFD1238AB12M	12	7.0-13.8	1.00	12.00	3500	144.21	4.08	12.69	0.50	124	53.0	272.0
LFD1238AB12L	12	7.0-13.8	0.60	7.20	3000	115.29	3.26	8.63	0.34	85	48.0	272.0
LFD1238AB12E	12	7.0-13.8	0.40	4.80	2500	101.85	2.88	6.60	0.26	65	40.0	272.0
LFD1238AB24H	24	14.0-27.6	1.00	24.00	4000	165.05	4.67	15.23	0.60	149	58.0	272.0
LFD1238AB24M	24	14.0-27.6	0.60	14.40	3500	144.21	4.08	12.69	0.50	124	53.0	272.0
LFD1238AB24L	24	14.0-27.6	0.40	9.60	3000	115.29	3.26	8.63	0.34	85	48.0	272.0
LFD1238AB24E	24	14.0-27.6	0.20	4.80	2500	101.85	2.88	6.60	0.26	65	40.0	272.0
LFD1238AB48H	48	28.0-56.0	0.60	28.80	4000	165.05	4.67	15.23	0.60	149	58.0	272.0
LFD1238AB48M	48	28.0-56.0	0.40	19.20	3500	144.21	4.08	12.69	0.50	124	53.0	272.0
LFD1238AB48L	48	28.0-56.0	0.20	9.60	3000	115.29	3.26	8.63	0.34	85	48.0	272.0
LFD1238AB48E	48	28.0-56.0	0.12	5.76	2500	101.85	2.88	6.60	0.26	65	40.0	272.0