

50x50x10mm
2.00"x2.00"x0.40"

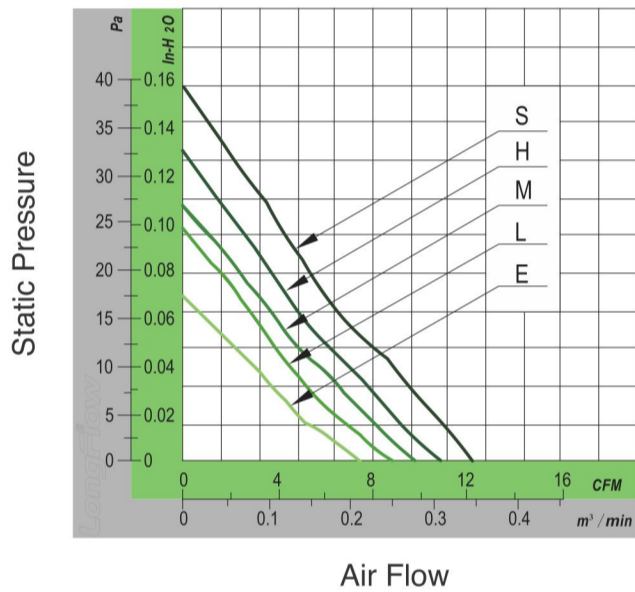
GENERAL SPECIFICATIONS

Motor Structure: Brushless DC Motor
 Motor Protection: Auto-Restart | Polarity Protection(Optional)
 Allowable Ambient Temperature Range:
 -10°C ~ +70°C (Operating)
 -40°C ~ +70°C (Storage)
 (non-condensing environment)
 Safety Standard: UL | TUV | ROHS | CE (Optional)
 Customized Fan Features: FG | RD | IP56 (Optional)

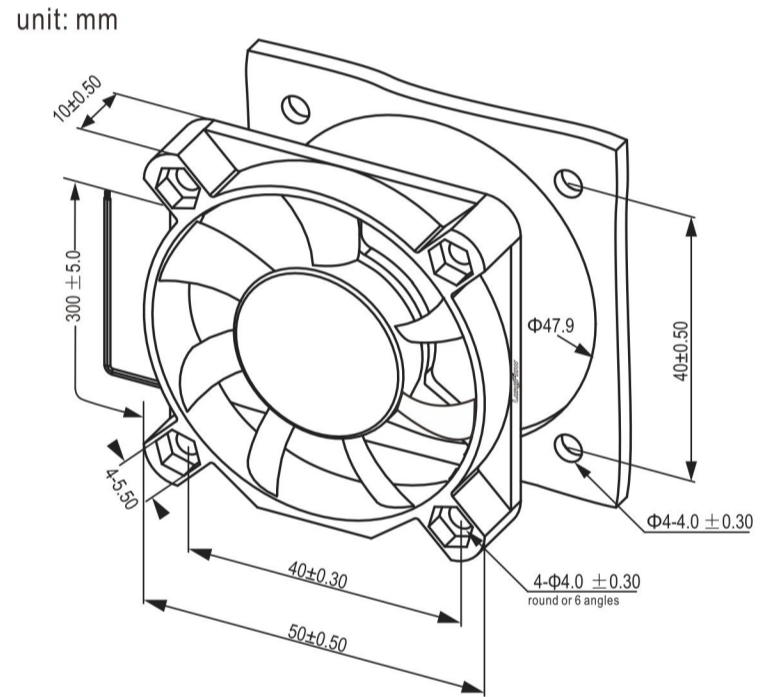
MATERIAL

Frame : Plastic (UL94V-0)
 Impeller : Plastic (UL94V-0)
 Bearing&Expected Life:
 Sleeve Bearing 30,000hrs (40°C);
 Ball Bearing 70,000hrs (40°C)
 Lead Wire : UL1007AWG#26 or Equivalent (+) Red, (-) Black

PERFORMANCE CURVES



OUTLINE DRAWING



MODEL SPECIFICATIONS

Model	Rated Voltage	Operating Voltage	Input Current	Input Power	Speed	Max. Air Flow		Max. Air Pressure			Noise Level	Weight
	(V)	(V)	(A)	(W)	RPM	CFM	M ³ /MIN	mm H ₂ O	in H ₂ O	Pa	dBA	(G)
LFD5010NX05H	5	3.5-5.5	0.25	1.25	5500	10.83	0.31	3.30	0.13	32	34.0	20.0
LFD5010NX05M	5	3.5-5.5	0.21	1.05	5000	9.91	0.28	2.79	0.11	27	31.0	20.0
LFD5010NX05L	5	3.5-5.5	0.18	0.90	4500	9.26	0.26	2.54	0.10	25	28.0	20.0
LFD5010NX05E	5	3.5-5.5	0.15	0.75	4000	7.64	0.22	1.78	0.07	17	26.0	20.0
LFD5010NX12S	12	7.0-13.8	0.16	1.92	6000	12.02	0.34	4.06	0.16	40	37.0	20.0
LFD5010NX12H	12	7.0-13.8	0.14	1.68	5500	10.83	0.31	3.30	0.13	32	34.0	20.0
LFD5010NX12M	12	7.0-13.8	0.12	1.44	5000	9.91	0.28	2.79	0.11	27	31.0	20.0
LFD5010NX12L	12	7.0-13.8	0.10	1.20	4500	9.26	0.26	2.54	0.10	25	28.0	20.0
LFD5010NX12E	12	7.0-13.8	0.08	0.96	4000	7.64	0.22	1.78	0.07	17	26.0	20.0
LFD5010NX24S	24	14.0-27.6	0.12	2.88	6000	12.02	0.34	4.06	0.16	40	37.0	20.0
LFD5010NX24H	24	14.0-27.6	0.10	2.40	5500	10.83	0.31	3.30	0.13	32	34.0	20.0
LFD5010NX24M	24	14.0-27.6	0.08	1.92	5000	9.91	0.28	2.79	0.11	27	31.0	20.0
LFD5010NX24L	24	14.0-27.6	0.06	1.44	4500	9.26	0.26	2.54	0.10	25	28.0	20.0
LFD5010NX24E	24	14.0-27.6	0.04	0.96	4000	7.64	0.22	1.78	0.07	17	26.0	20.0

* X refers to bearing type and can be B or S (B: ball bearing; S: sleeve bearing)