

92x92x38mm
3.62"x3.62"x1.50"

GENERAL SPECIFICATIONS

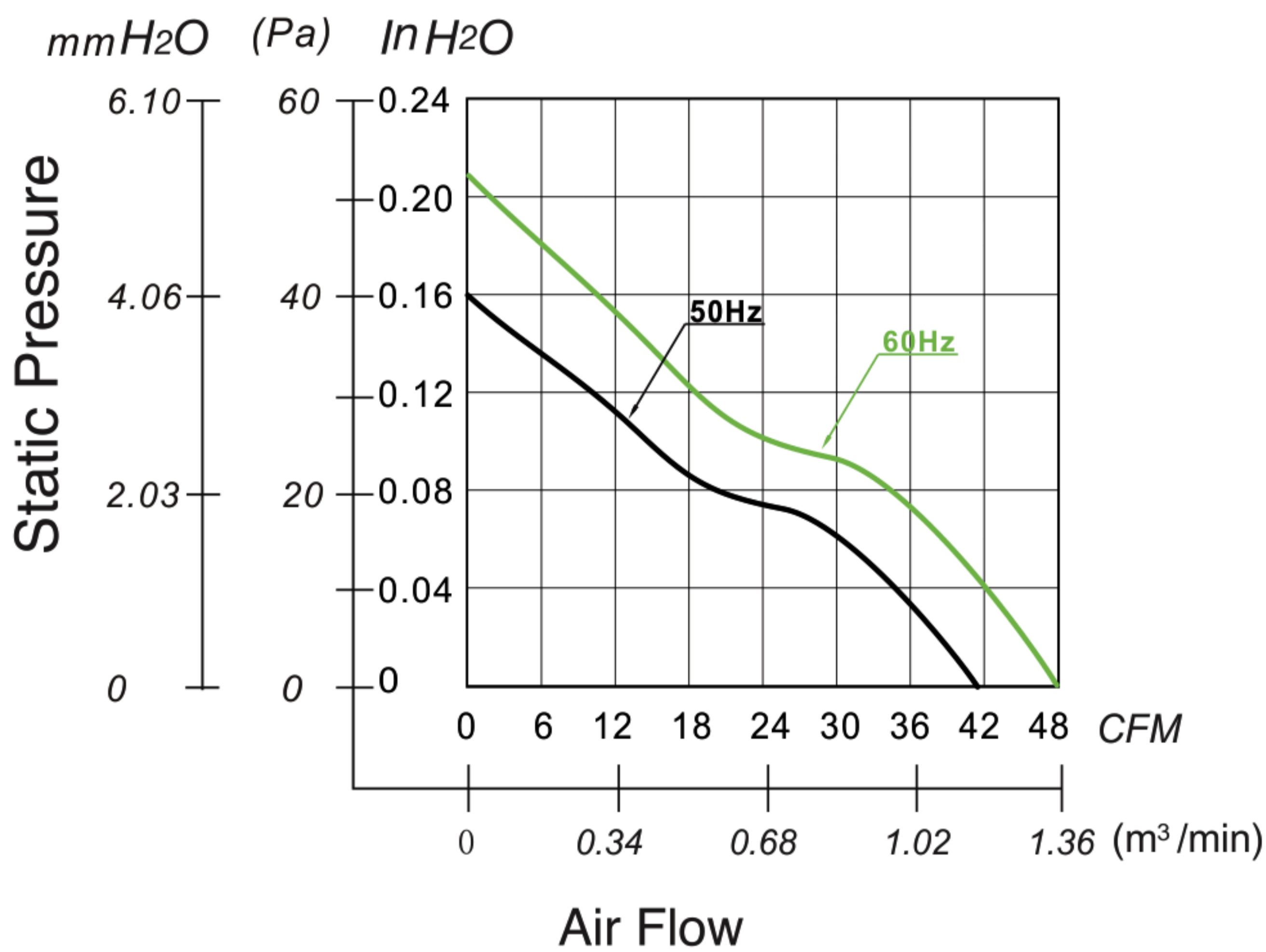
Motor Structure: Shaded Pole Induction Motor
 Motor Protection: Impedance Protection
 Insulation Type: CLASS B
 Dielectric Withstand Voltage: 50/60Hz, 1500VAC 1 MIN
 (Between Input Terminal and Frame)
 Allowable Ambient Temperature Range:
 -10°C ~ +70°C (Operating)
 -40°C ~ +70°C (Storage)
 (non-condensing environment)

MATERIAL

Casing : Aluminum Alloy
 Impeller : PBT+30% GF
 Bearing : Ball Bearing(50,000hours)
 Lead Wire : AWG#22 UL1007 /4 Wires

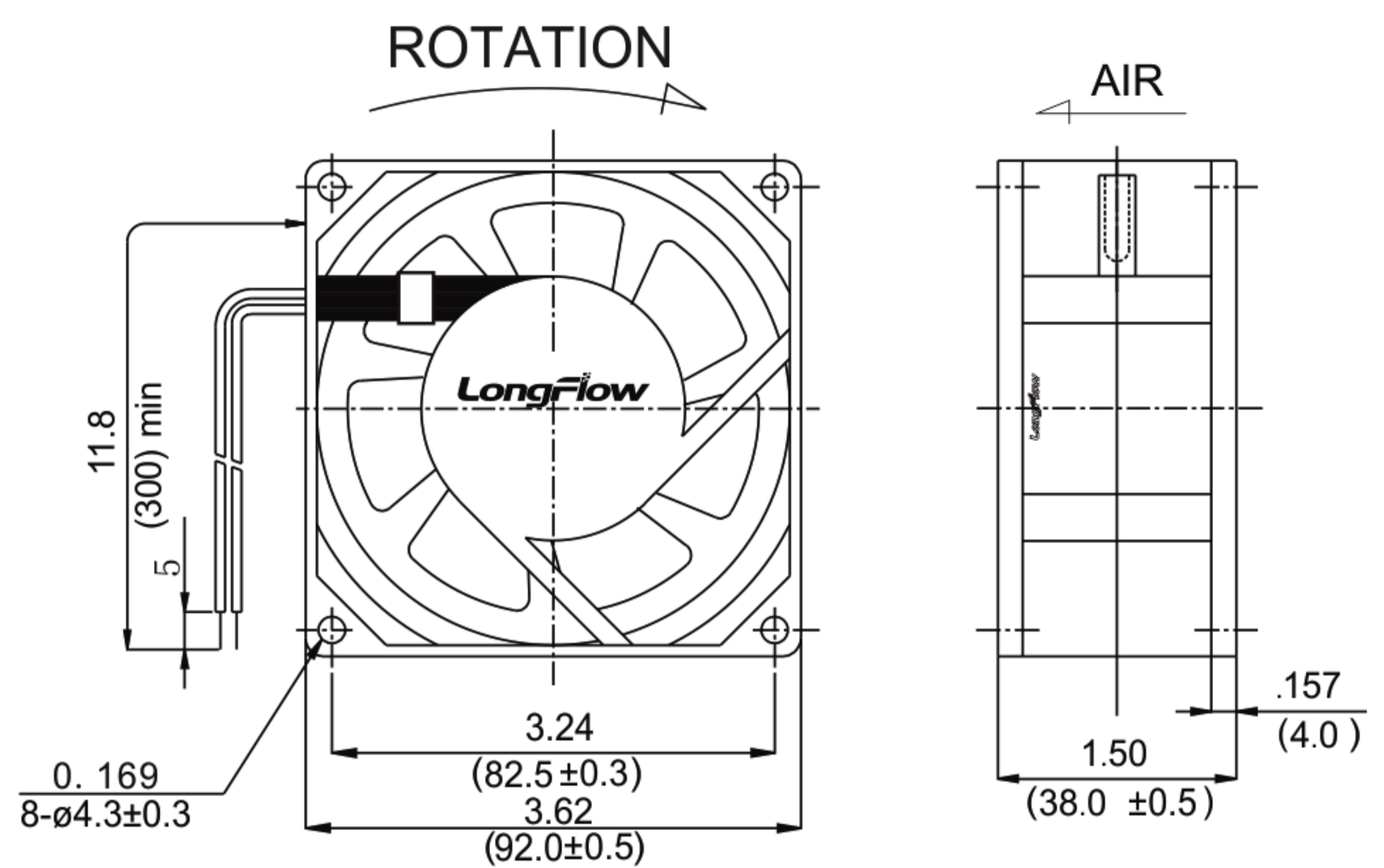


PERFORMANCE CURVES

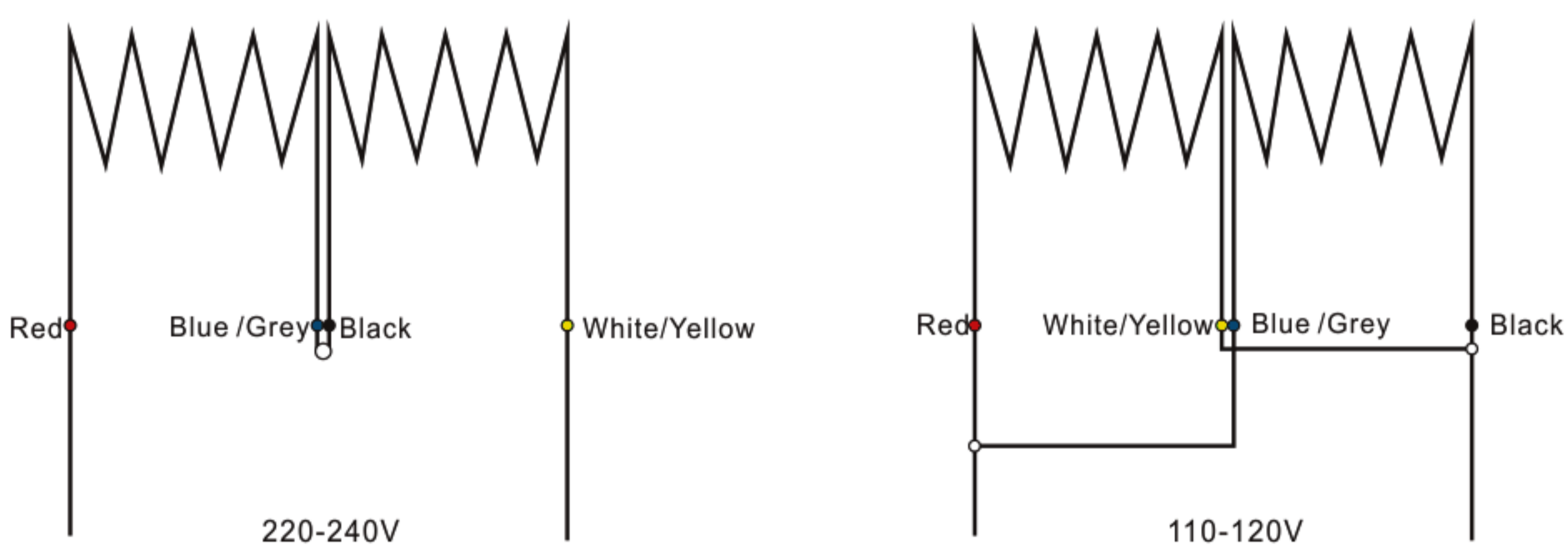


OUTLINE DRAWING

Units: $\frac{\text{inch}}{\text{mm}}$

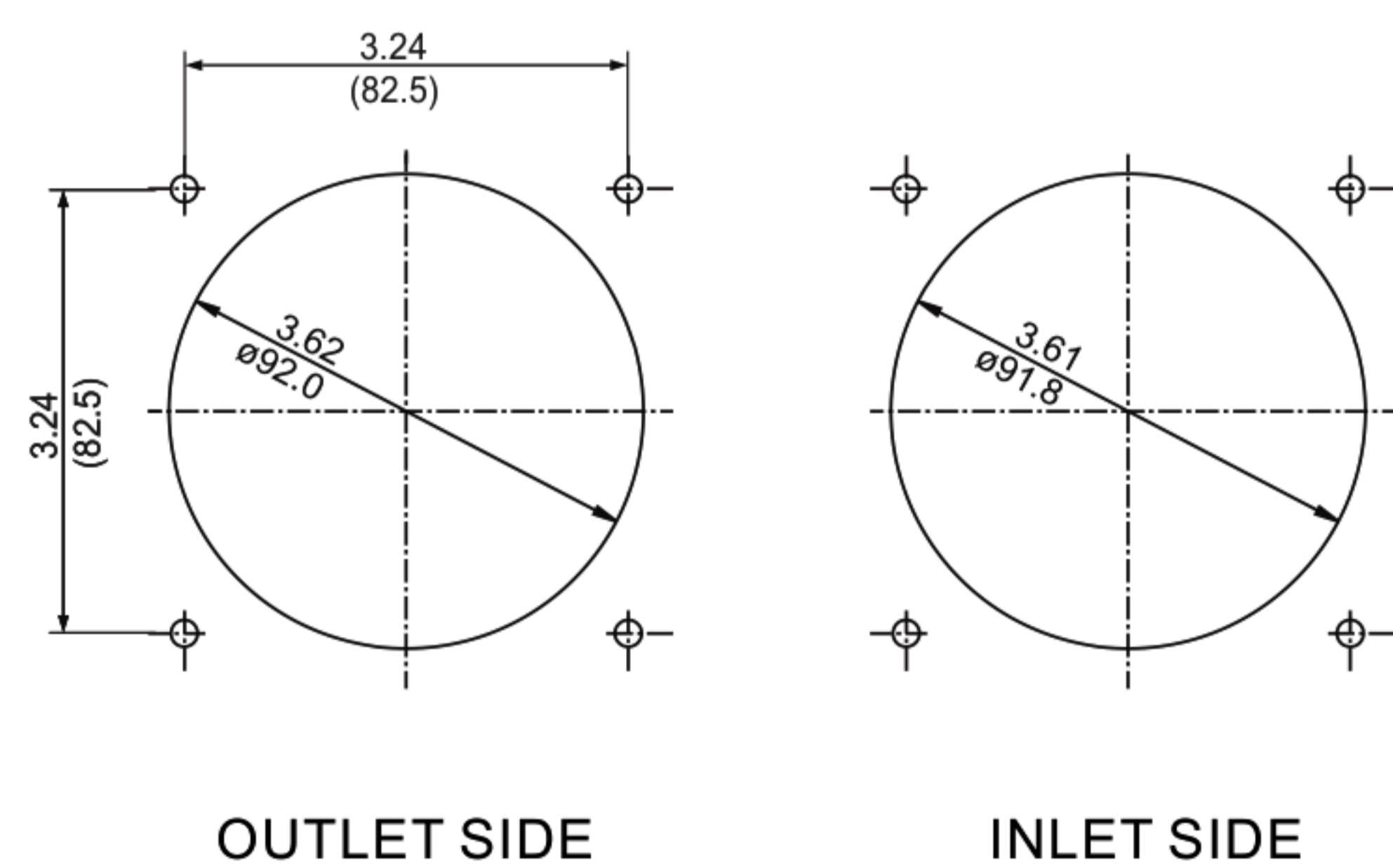


WIRING DIAGRAM



PANEL CUT-OUT

Units: $\frac{\text{inch}}{\text{mm}}$



MODEL SPECIFICATIONS

Model	Bearing ● Ball ○ SLEEVE	Rated Voltage (V)	Freq. (Hz)	Rated Current (A)	Input Power (W)	Speed RPM	Noise Level dBA	Max. Air Flow [50 60Hz]		Max. Air Pressure[50 60Hz]			Weight (G)					
								CFM	M ³ /MIN	mm H ₂ O	in H ₂ O	Pa						
LFA9238AB12	●	110-120	50/60	0.07/0.06	15/13	2400/2800	36/40	41	48	1.16	1.36	3.6	5.2	0.16	0.21	35	51	350
		220-240	50/60	0.15/0.13	15/13	2400/2800	36/40	41	48	1.16	1.36	3.6	5.2	0.16	0.21	35	51	350