

172x150x51mm
6.77"x6.00"x2.00"

GENERAL SPECIFICATIONS

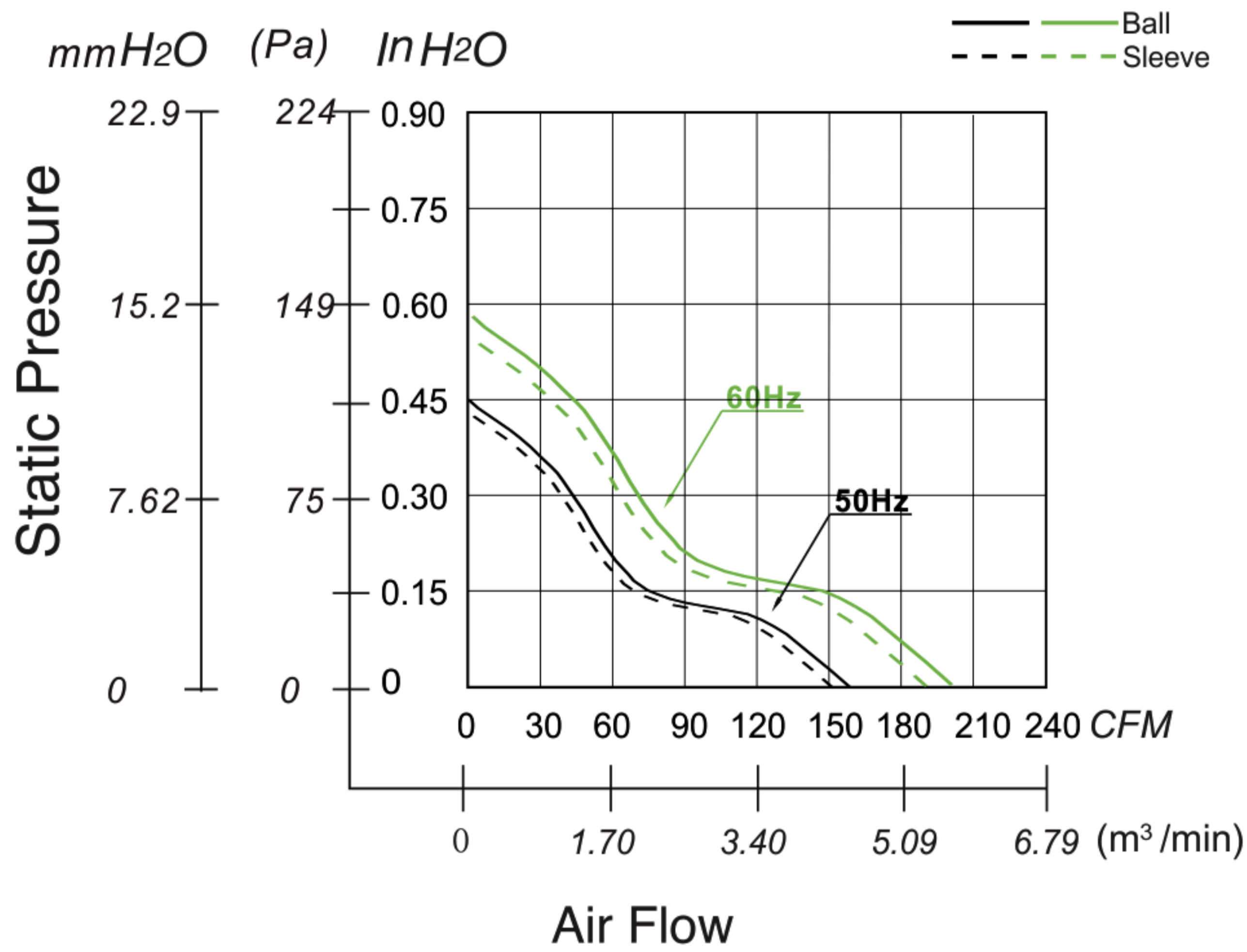
Motor Structure: Shaded Pole Induction Motor
 Motor Protection: Impedance Protection
 Insulation Type: CLASS B
 Dielectric Withstand Voltage: 50/60Hz, 1500VAC 1 MIN
 (Between Input Terminal and Frame)
 Allowable Ambient Temperature Range:
 -10°C ~ +70°C (Operating)
 -40°C ~ +70°C (Storage)
 (non-condensing environment)

MATERIAL

Casing : Aluminum Alloy
 Impeller : PBT+30% GF
 Bearing : Sleeve Bearing or Ball Bearing
 Lead Wire : AWG#20 UL1015 /Black (Optional)



PERFORMANCE CURVES



LIFE EXPECTANCY

40°C Sleeve Bearing 30,000 Hours
 40°C Ball Bearing 50,000 Hours

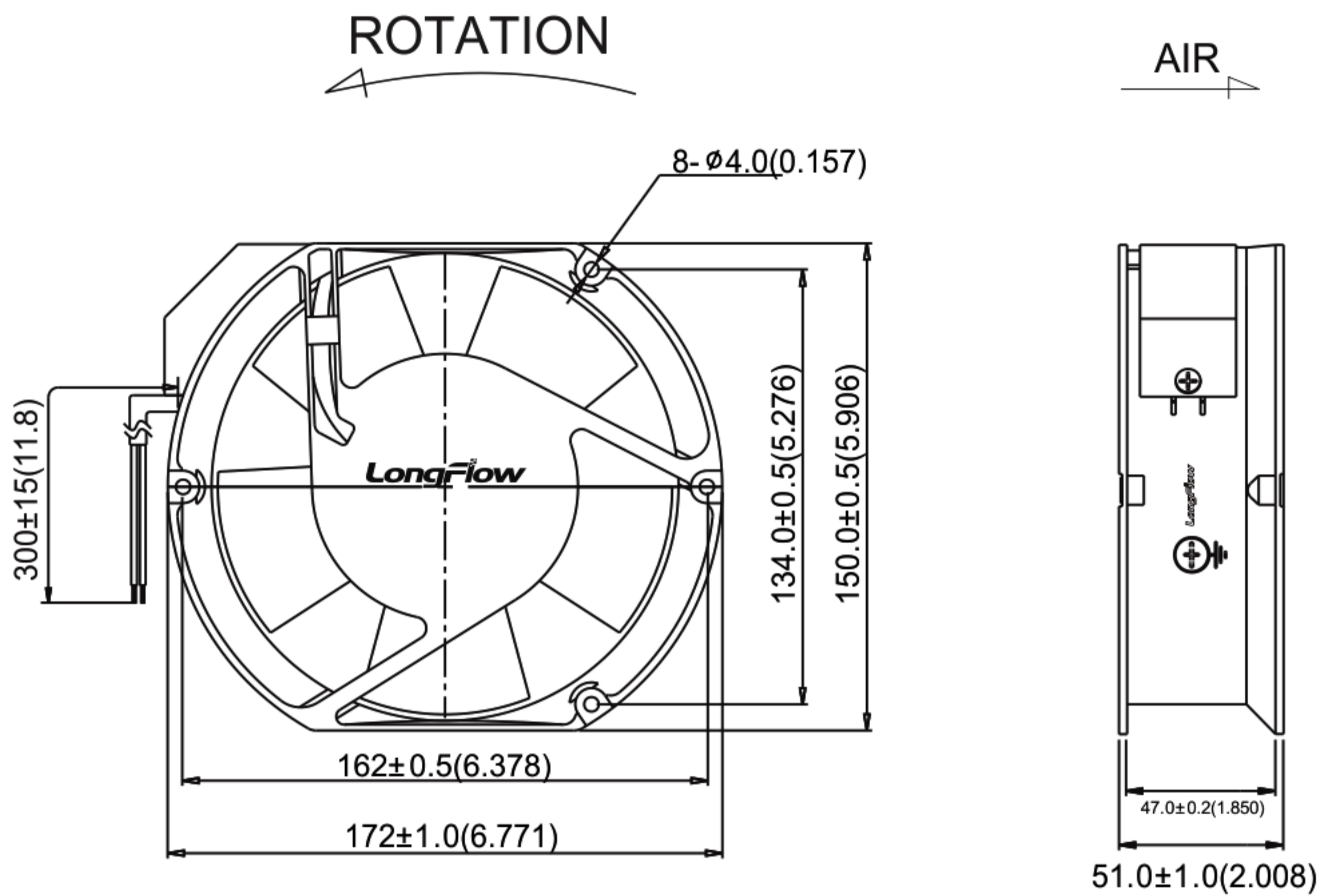
MODEL SPECIFICATIONS

Model	Bearing ● Ball ○ SLEEVE	Rated Voltage (V)	Freq. (Hz)	Rated Current (A)	Input Power (W)	Speed RPM	Noise Level dBA	Max. Air Flow [50 60Hz]		Max. Air Pressure[50 60Hz]				Weight (G)				
								CFM	M ³ /MIN	mm H ₂ O	in H ₂ O	Pa						
LFA1751AS11	○	110-120	50/60	0.24/0.21	38/36	2300/2500	52/54	150	190	4.25	5.38	10.91	12.94	0.43	0.51	107	127	800
LFA1751AS23	○	220-240	50/60	0.24/0.21	38/36	2300/2500	52/54	150	190	4.25	5.38	10.91	12.94	0.43	0.51	107	127	800
LFA1751AB11	●	110-120	50/60	0.30/0.23	38/36	2400/2600	53/55	155	198	4.39	5.60	11.42	13.45	0.45	0.53	112	132	800
LFA1751AB23	●	220-240	50/60	0.30/0.23	38/36	2400/2600	53/55	155	198	4.39	5.60	11.42	13.45	0.45	0.53	112	132	800

*Important Note: All specifications and descriptions are for reference only and may be subject to change without prior notice. Please contact us for any update or further information at marketing@ventilation-fan.com
 Copyright © 2009-2017 LONGFLOW All Rights Reserved.

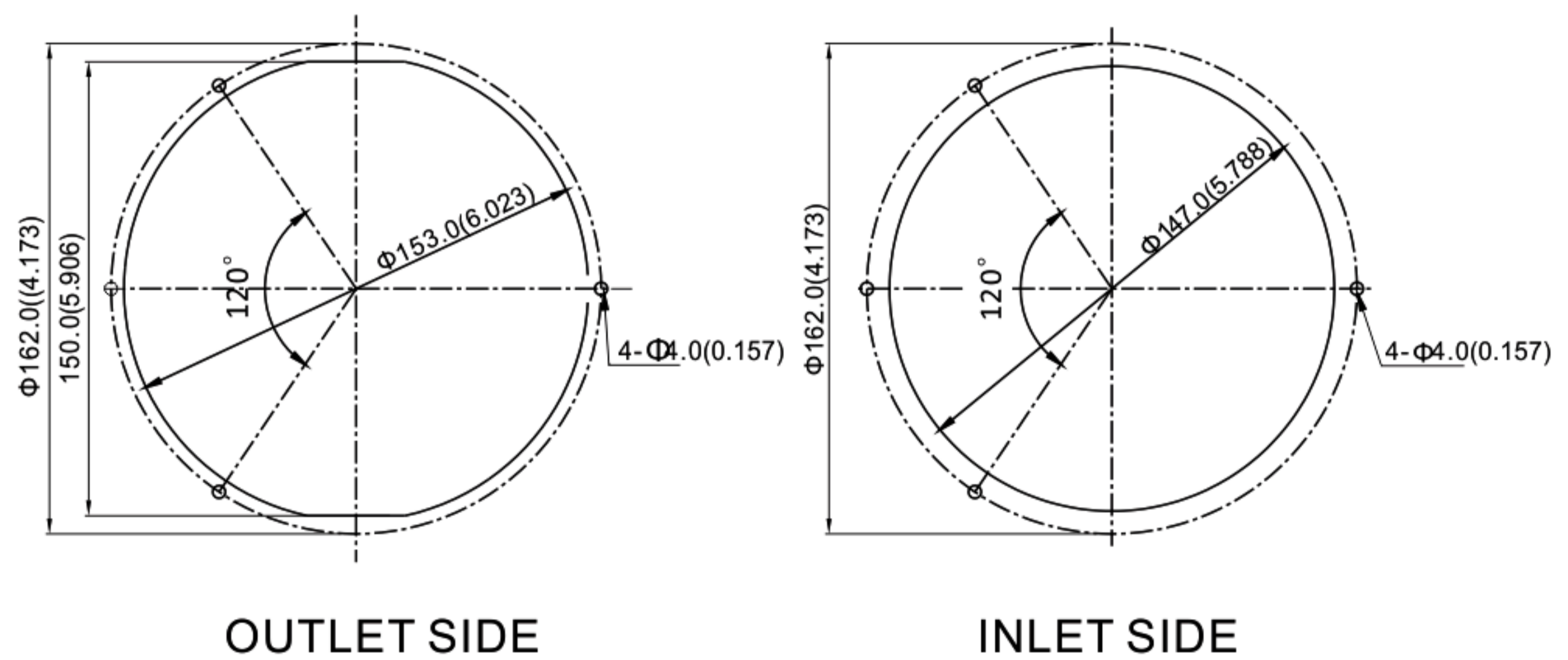
OUTLINE DRAWING

Units: mm(inch)



PANEL CUT-OUT

Units: mm(inch)



OUTLET SIDE

INLET SIDE