

30x30x10mm
1.18"x1.18"x0.40"

GENERAL SPECIFICATIONS

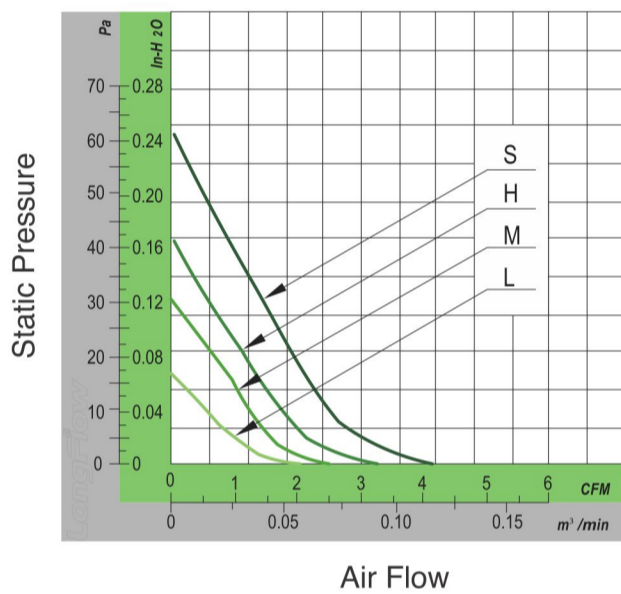
Motor Structure: Brushless DC Motor
 Motor Protection: Auto-Restart | Polarity Protection(Optional)
 Allowable Ambient Temperature Range:
 -10°C ~ +70°C (Operating)
 -40°C ~ +70°C (Storage)
 (non-condensing environment)
 Safety Standard: UL | TUV | ROHS | CE (Optional)
 Customized Fan Features: FG | RD | IP56 (Optional)



MATERIAL

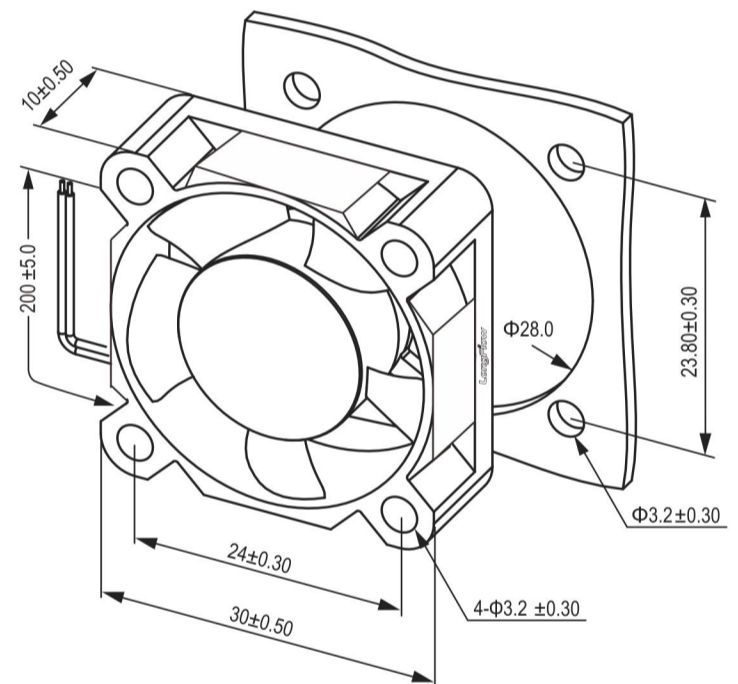
Frame : Plastic (UL94V-0)
 Impeller : Plastic (UL94V-0)
 Bearing&Expected Life:
 Sleeve Bearing 30,000hrs (40°C)
 Lead Wire : UL1571AWG#28 or Equivalent (+) Red, (-) Black

PERFORMANCE CURVES



OUTLINE DRAWING

unit: mm



MODEL SPECIFICATIONS

Model	Rated Voltage	Operating Voltage	Input Current	Input Power	Speed	Max. Air Flow		Max. Air Pressure			Noise Level	Weight
	(V)	(V)	(A)	(W)	RPM	CFM	M ³ /MIN	mm H ₂ O	in H ₂ O	Pa	dBA	(G)
LFD3010NS05S	5	3.5-5.5	0.28	1.10	12000	4.15	0.12	6.35	0.25	62	34.0	8.0
LFD3010NS05H	5	3.5-5.5	0.20	1.00	10000	3.38	0.10	4.31	0.17	42	29.0	8.0
LFD3010NS05M	5	3.5-5.5	0.15	0.75	8000	2.49	0.07	3.30	0.13	32	24.0	8.0
LFD3010NS05L	5	3.5-5.5	0.10	0.50	6000	2.01	0.06	1.78	0.07	17	21.0	8.0
LFD3010NS12S	12	7.0-13.8	0.12	1.44	12000	4.15	0.12	6.35	0.25	62	34.0	8.0
LFD3010NS12H	12	7.0-13.8	0.10	1.20	10000	3.38	0.10	4.31	0.17	42	29.0	8.0
LFD3010NS12M	12	7.0-13.8	0.08	0.96	8000	2.49	0.07	3.30	0.13	32	24.0	8.0
LFD3010NS12L	12	7.0-13.8	0.05	0.60	6000	2.01	0.06	1.78	0.07	17	21.0	8.0