



120x120x38mm
4.72"x4.72"x1.50"

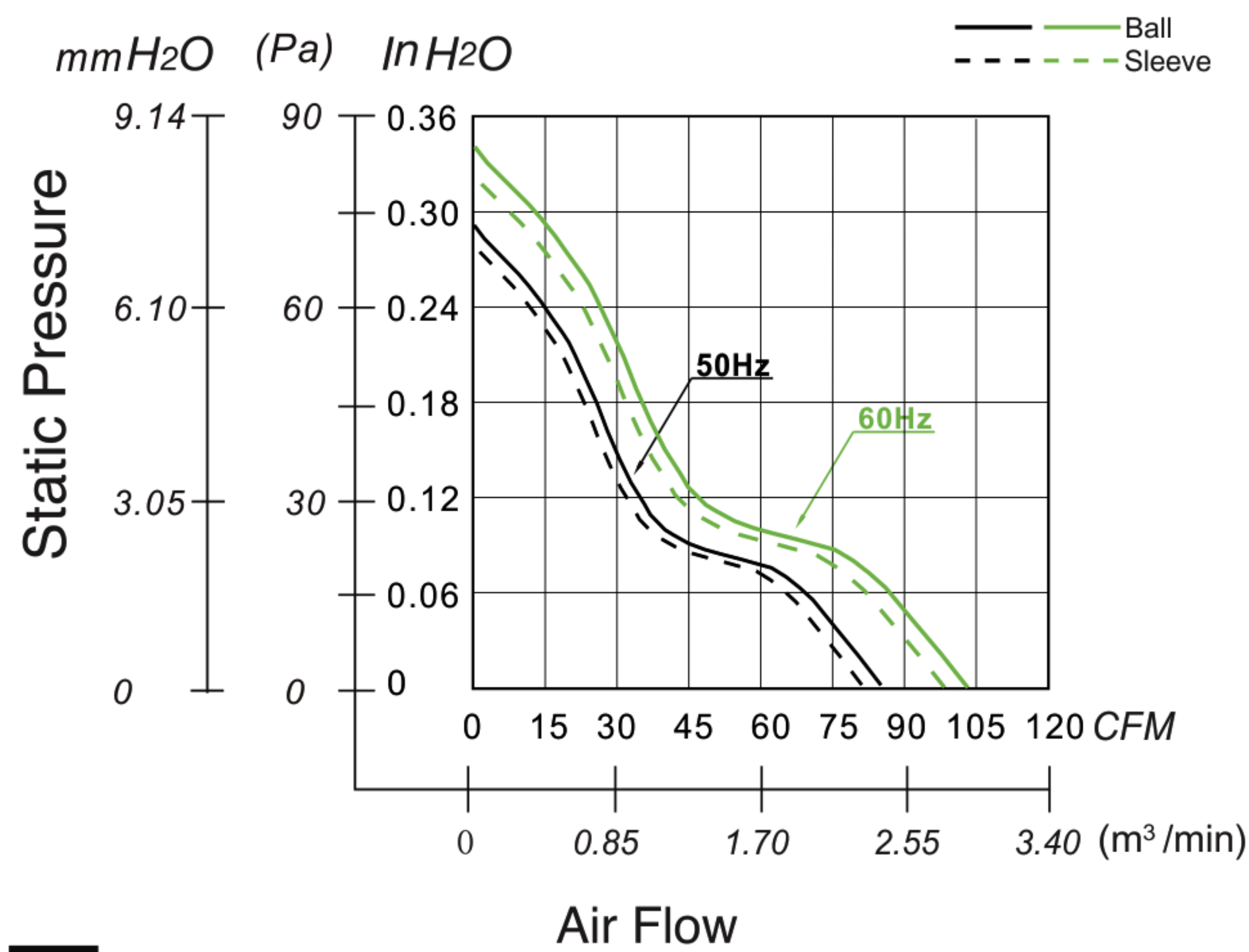
GENERAL SPECIFICATIONS

Motor Structure: Shaded Pole Induction Motor
 Motor Protection: Impedance Protection
 Insulation Type: CLASS B
 Dielectric Withstand Voltage: 50/60Hz, 1500VAC 1 MIN
 (Between Input Terminal and Frame)
 Allowable Ambient Temperature Range:
 -10°C ~ +70°C (Operating)
 -40°C ~ +70°C (Storage)
 (non-condensing environment)

MATERIAL

Casing : Aluminum Alloy
 Impeller : PBT+30% GF
 Bearing : Sleeve Bearing or Ball Bearing
 Lead Wire : AWG#22 UL1007 /Black (Optional)

PERFORMANCE CURVES



LIFE EXPECTANCY

40°C Sleeve Bearing 30,000 Hours
 40°C Ball Bearing 50,000 Hours

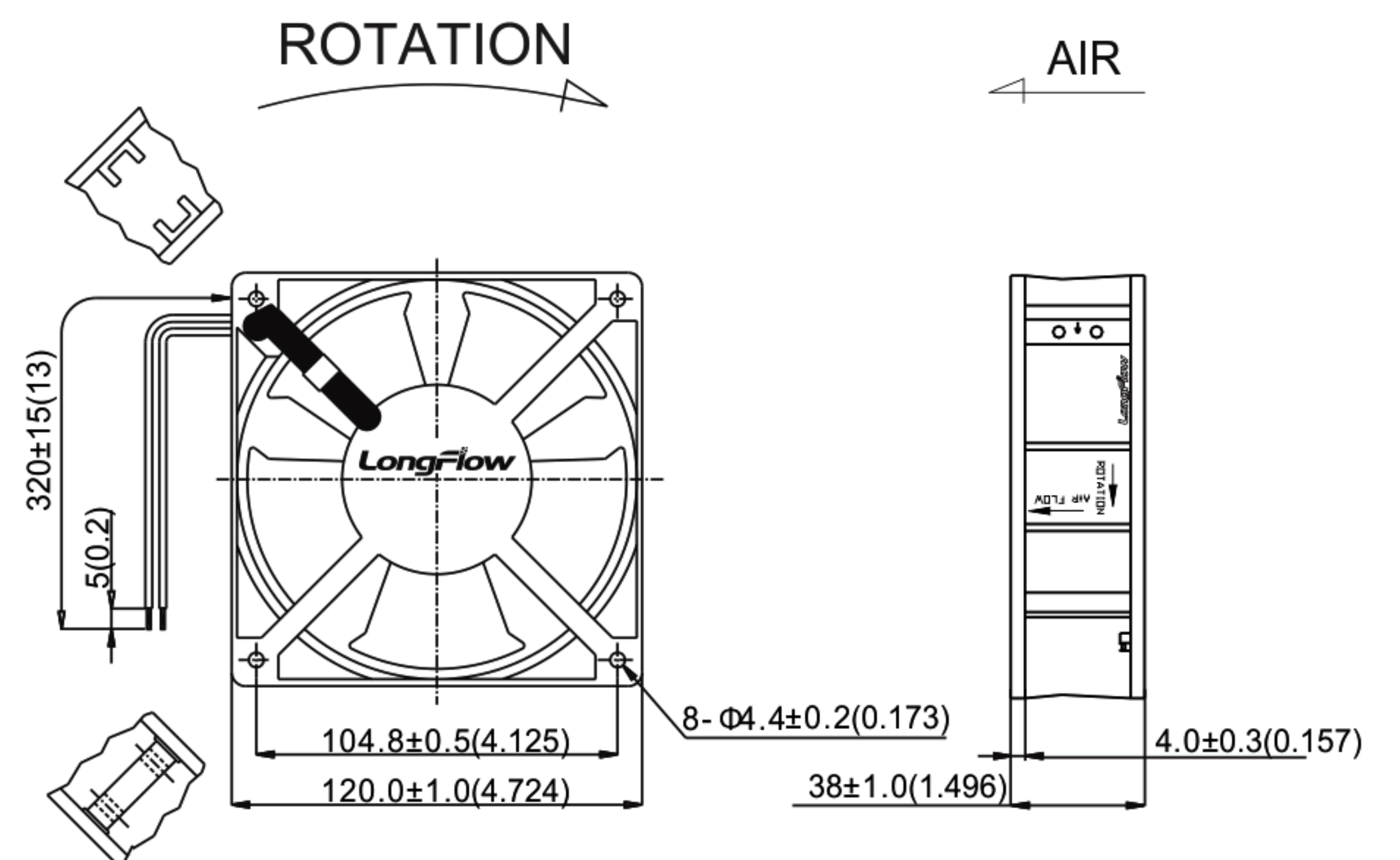
MODEL SPECIFICATIONS

Model	Bearing ● Ball ○ SLEEVE	Rated Voltage (V)	Freq. (Hz)	Rated Current (A)	Input Power (W)	Speed RPM	Noise Level dBA	Max. Air Flow [50 60Hz]		Max. Air Pressure[50 60Hz]				Weight (G)				
								CFM	M ³ /MIN	mm H ₂ O	in H ₂ O	Pa	(G)					
LFA1238AS11	○	110-120	50/60	0.24/0.21	23/20	2500/2900	40/43	82	96	2.32	2.72	6.85	8.38	0.27	0.33	67	82	470
LFA1238AS23	○	220-240	50/60	0.14/0.11	23/20	2500/2900	40/43	82	96	2.32	2.72	6.85	8.38	0.27	0.33	67	82	470
LFA1238AB11	●	110-120	50/60	0.24/0.21	23/20	2600/3000	40/43	85	100	2.41	2.83	7.11	8.88	0.28	0.35	70	87	470
LFA1238AB23	●	220-240	50/60	0.14/0.11	23/20	2600/3000	40/43	85	100	2.41	2.83	7.11	8.88	0.28	0.35	70	87	470



OUTLINE DRAWING

Units: mm(inch)



PANEL CUT-OUT

Units: mm(inch)

