

172x150x51mm
6.80"x6.00"x2.00"

GENERAL SPECIFICATIONS

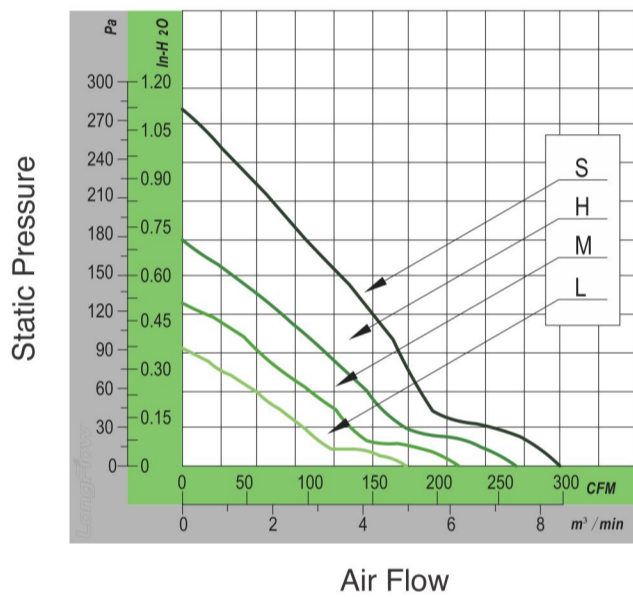
Motor Structure: Brushless DC Motor
 Motor Protection:
 Auto-Restart | Polarity Protection|Soft Start(Optional)
 Allowable Ambient Temperature Range:
 -10°C ~ +70°C (Operating)
 -40°C ~ +70°C (Storage)
 (non-condensing environment)
 Safety Standard: UL | TUV | ROHS | CE (Optional)
 Customized Fan Features: FG | RD | IP56|PWM (Optional)

MATERIAL

Frame : Aluminum Alloy
 Impeller : Plastic (UL94V-0)
 Bearing&Expected Life:
 Ball Bearing 70,000hrs (40°C)
 Lead Wire : UL1007AWG#22 or Equivalent (+) Red, (-) Black

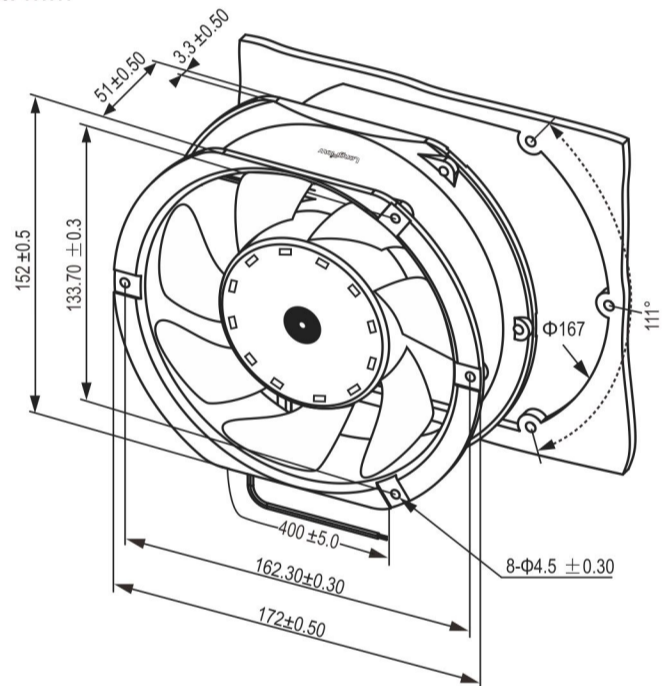


PERFORMANCE CURVES



OUTLINE DRAWING

unit: mm



MODEL SPECIFICATIONS

Model	Rated Voltage	Operating Voltage	Input Current	Input Power	Speed	Max. Air Flow		Max. Air Pressure			Noise Level	Weight
	(V)	(V)	(A)	(W)	RPM	CFM	M³/MIN	mm H ₂ O	in H ₂ O	Pa	dBA	(G)
LFD1751AB12S	12	7.0-13.8	3.00	36.00	4000	305.29	8.64	28.93	1.14	284	67.0	740.0
LFD1751AB12H	12	7.0-13.8	2.00	24.00	3500	257.88	7.30	18.02	0.71	177	59.0	740.0
LFD1751AB12M	12	7.0-13.8	1.50	18.00	3000	220.85	6.25	13.20	0.52	129	51.0	740.0
LFD1751AB12L	12	7.0-13.8	1.00	12.00	2500	185.24	5.24	9.39	0.37	92	44.0	740.0
LFD1751AB24S	24	14.0-27.6	1.50	36.00	4000	305.29	8.64	28.93	1.14	284	67.0	740.0
LFD1751AB24H	24	14.0-27.6	1.00	24.00	3500	257.88	7.30	18.02	0.71	177	59.0	740.0
LFD1751AB24M	24	14.0-27.6	0.70	16.80	3000	220.85	6.25	13.20	0.52	129	51.0	740.0
LFD1751AB24L	24	14.0-27.6	0.50	12.00	2500	185.24	5.24	9.39	0.37	92	44.0	740.0
LFD1751AB48S	48	28.0-56.0	0.80	38.40	4000	305.29	8.64	28.93	1.14	284	67.0	740.0
LFD1751AB48H	48	28.0-56.0	0.60	28.80	3500	257.88	7.30	18.02	0.71	177	59.0	740.0
LFD1751AB48M	48	28.0-56.0	0.50	24.00	3000	220.85	6.25	13.20	0.52	129	51.0	740.0
LFD1751AB48L	48	28.0-56.0	0.40	19.20	2500	185.24	5.24	9.39	0.37	92	44.0	740.0