

60x60x15mm
2.40"x2.40"x0.60"

GENERAL SPECIFICATIONS

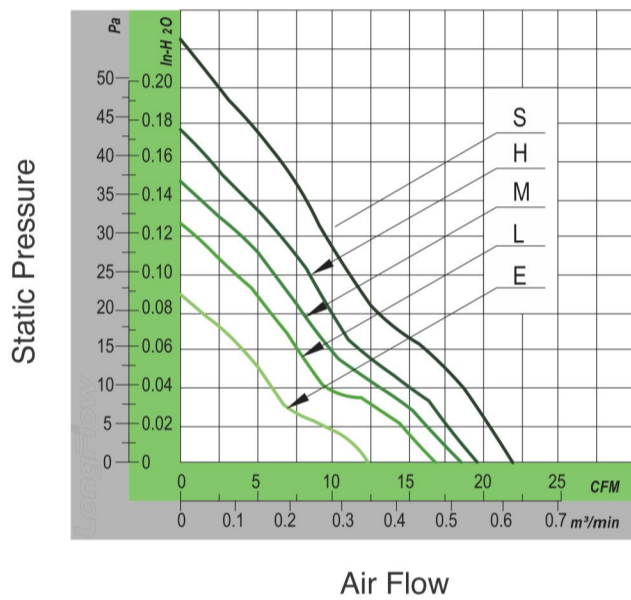
Motor Structure: Brushless DC Motor
 Motor Protection: Auto-Restart | Polarity Protection(Optional)
 Allowable Ambient Temperature Range:
 -10°C ~ +70°C (Operating)
 -40°C ~ +70°C (Storage)
 (non-condensing environment)
 Safety Standard: UL | TUV | ROHS | CE (Optional)
 Customized Fan Features: FG | RD | IP56 (Optional)

MATERIAL

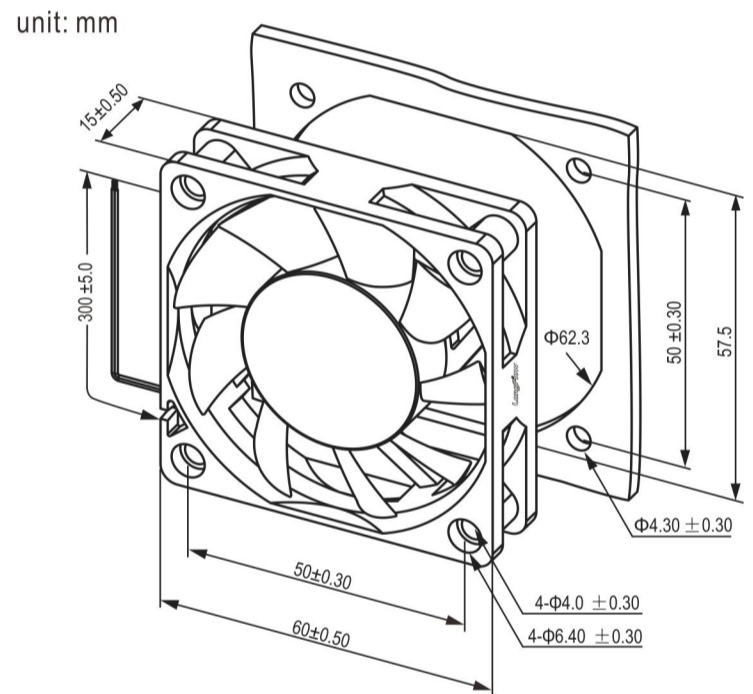
Frame : Plastic (UL94V-0)
 Impeller : Plastic (UL94V-0)
 Bearing&Expected Life:
 Sleeve Bearing 30,000hrs (40°C);
 Ball Bearing 70,000hrs (40°C)
 Lead Wire : UL1007AWG#24 or Equivalent (+) Red, (-) Black



PERFORMANCE CURVES



OUTLINE DRAWING



MODEL SPECIFICATIONS

Model	Rated Voltage	Operating Voltage	Input Current	Input Power	Speed	Max. Air Flow		Max. Air Pressure			Noise Level	Weight
	(V)	(V)	(A)	(W)	RPM	CFM	M ³ /MIN	mm H ₂ O	in H ₂ O	Pa	dBA	(G)
LFD6015NX05M	5	3.5-5.5	0.58	2.90	4000	18.55	0.52	3.81	0.15	37	29.0	42.0
LFD6015NX05L	5	3.5-5.5	0.40	2.00	3500	16.84	0.48	3.30	0.13	32	26.0	42.0
LFD6015NX05E	5	3.5-5.5	0.25	1.25	3000	12.96	0.37	2.28	0.09	22	24.0	42.0
LFD6015NX12S	12	7.0-13.8	0.30	3.60	5000	22.77	0.64	5.58	0.22	55	37.0	42.0
LFD6015NX12H	12	7.0-13.8	0.22	2.64	4500	19.94	0.56	4.31	0.17	42	33.0	42.0
LFD6015NX12M	12	7.0-13.8	0.18	2.16	4000	18.55	0.52	3.81	0.15	37	29.0	42.0
LFD6015NX12L	12	7.0-13.8	0.15	1.80	3500	16.84	0.48	3.30	0.13	32	26.0	42.0
LFD6015NX12E	12	7.0-13.8	0.12	1.44	3000	12.96	0.37	2.28	0.09	22	24.0	42.0
LFD6015NX24S	24	14.0-27.6	0.18	4.32	5000	22.77	0.64	5.58	0.22	55	37.0	42.0
LFD6015NX24H	24	14.0-27.6	0.16	3.84	4500	19.94	0.56	4.31	0.17	42	33.0	42.0
LFD6015NX24M	24	14.0-27.6	0.12	2.88	4000	18.55	0.52	3.81	0.15	37	29.0	42.0
LFD6015NX24L	24	14.0-27.6	0.10	2.40	3500	16.84	0.48	3.30	0.13	32	26.0	42.0

* X refers to bearing type and can be B or S (B: ball bearing; S: sleeve bearing)