

**150x150x51mm**  
6.00" x 6.00" x 2.00"

### GENERAL SPECIFICATIONS

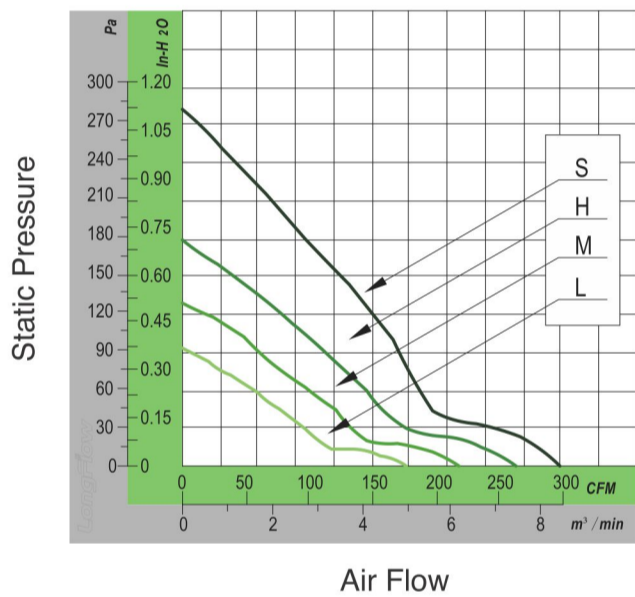
Motor Structure: Brushless DC Motor  
 Motor Protection:  
 Auto-Restart | Polarity Protection | Soft Start  
 Allowable Ambient Temperature Range:  
 -10°C ~ +70°C (Operating)  
 -40°C ~ +70°C (Storage)  
 (non-condensing environment)  
 Safety Standard: UL | TUV | ROHS | CE (Optional)  
 Customized Fan Features: FG | RD | IP56 | PWM (Optional)

### MATERIAL

Frame : Aluminum Alloy  
 Impeller : Plastic (UL94V-0)  
 Bearing & Expected Life:  
 Ball Bearing 70,000hrs (40°C)  
 Lead Wire : UL1007AWG#24 or Equivalent (+) Red, (-) Black

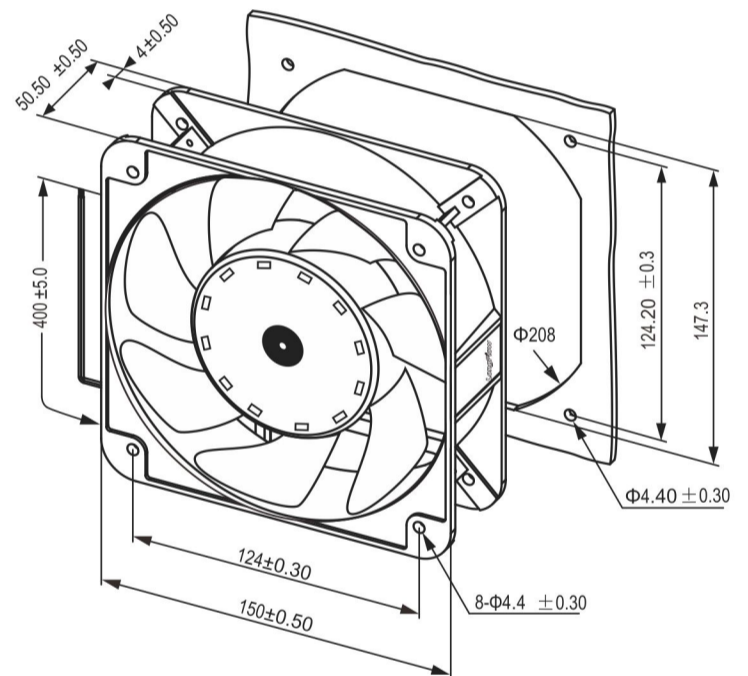


### PERFORMANCE CURVES



### OUTLINE DRAWING

unit: mm



### MODEL SPECIFICATIONS

Model	Rated Voltage	Operating Voltage	Input Current	Input Power	Speed	Max. Air Flow		Max. Air Pressure			Noise Level	Weight
	(V)	(V)	(A)	(W)	RPM	CFM	M <sup>3</sup> /MIN	mm H <sub>2</sub> O	in H <sub>2</sub> O	Pa	dBA	(G)
LFD1551AB12S	12	7.0-13.8	3.00	36.00	4000	305.29	8.64	28.93	1.14	284	67.0	740.0
LFD1551AB12H	12	7.0-13.8	2.00	24.00	3500	257.88	7.30	18.02	0.71	177	59.0	740.0
LFD1551AB12M	12	7.0-13.8	1.50	18.00	3000	220.85	6.25	13.20	0.52	129	51.0	740.0
LFD1551AB12L	12	7.0-13.8	1.00	12.00	2500	185.24	5.24	9.39	0.37	92	44.0	740.0
LFD1551AB24S	24	14.0-27.6	1.50	36.00	4000	305.29	8.64	28.93	1.14	284	67.0	740.0
LFD1551AB24H	24	14.0-27.6	1.00	24.00	3500	257.88	7.30	18.02	0.71	177	59.0	740.0
LFD1551AB24M	24	14.0-27.6	0.70	16.80	3000	220.85	6.25	13.20	0.52	129	51.0	740.0
LFD1551AB24L	24	14.0-27.6	0.50	12.00	2500	185.24	5.24	9.39	0.37	92	44.0	740.0
LFD1551AB48S	48	28.0-56.0	0.80	38.40	4000	305.29	8.64	28.93	1.14	284	67.0	740.0
LFD1551AB48H	48	28.0-56.0	0.60	28.80	3500	257.88	7.30	18.02	0.71	177	59.0	740.0
LFD1551AB48M	48	28.0-56.0	0.50	24.00	3000	220.85	6.25	13.20	0.52	129	51.0	740.0
LFD1551AB48L	48	28.0-56.0	0.40	19.20	2500	185.24	5.24	9.39	0.37	92	44.0	740.0