

**120x120x38mm**  
4.72"x4.72"x1.50"

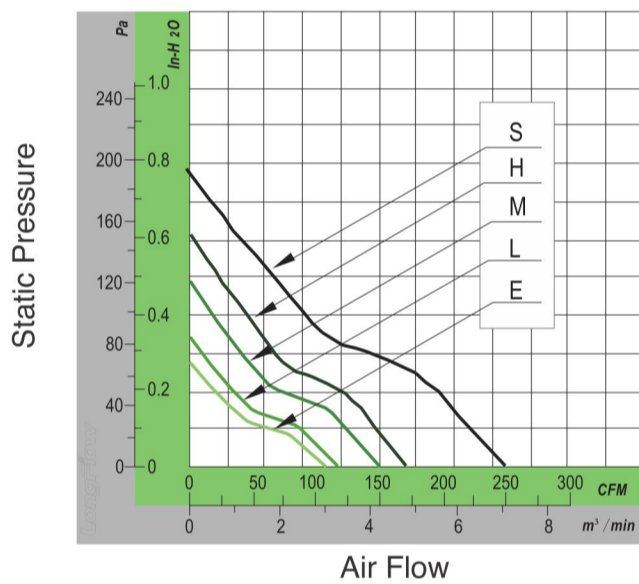
### GENERAL SPECIFICATIONS

Motor Structure: Brushless DC Motor  
 Motor Protection:  
 Auto-Restart | Polarity Protection|Soft Start(Optional)  
 Allowable Ambient Temperature Range:  
 -10°C ~ +70°C (Operating)  
 -40°C ~ +70°C (Storage)  
 (non-condensing environment)  
 Safety Standard: UL | TUV | ROHS | CE (Optional)  
 Customized Fan Features: FG | RD | IP56|PWM (Optional)

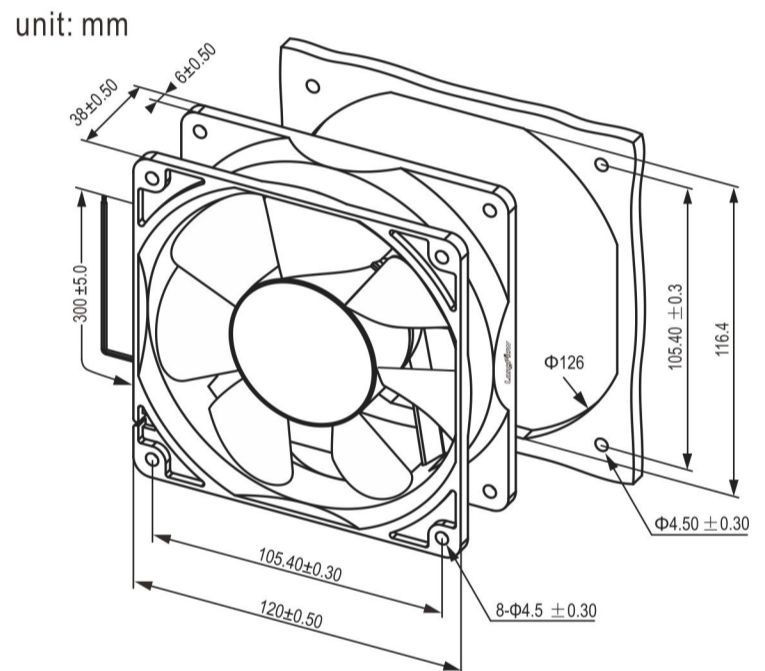
### MATERIAL

Frame : Plastic (UL94V-0)  
 Impeller : Plastic (UL94V-0)  
 Bearing&Expected Life:  
 Sleeve Bearing 30,000hrs (40°C);  
 Ball Bearing 70,000hrs (40°C)  
 Lead Wire : UL1007AWG#24 or Equivalent (+) Red, (-) Black

### PERFORMANCE CURVES



### OUTLINE DRAWING



### MODEL SPECIFICATIONS

Model	Rated Voltage	Operating Voltage	Input Current	Input Power	Speed	Max. Air Flow		Max. Air Pressure			Noise Level	Weight
	(V)	(V)	(A)	(W)	RPM	CFM	M <sup>3</sup> /MIN	mm H <sub>2</sub> O	in H <sub>2</sub> O	Pa	dBA	(G)
LFD1238NB12S	12	7.0-13.8	2.00	24.00	5000	260.00	7.36	18.78	0.74	184	62.0	262.0
LFD1238NX12H	12	7.0-13.8	1.50	18.00	4000	165.05	4.67	15.23	0.60	149	58.0	262.0
LFD1238NX12M	12	7.0-13.8	1.00	12.00	3500	144.21	4.08	12.69	0.50	124	53.0	262.0
LFD1238NX12L	12	7.0-13.8	0.60	7.20	3000	115.29	3.26	8.63	0.34	85	48.0	262.0
LFD1238NX12E	12	7.0-13.8	0.40	4.80	2500	101.85	2.88	6.60	0.26	65	40.0	262.0
LFD1238NB24S	24	14.0-27.6	1.50	36.00	5000	260.00	7.36	18.78	0.74	184	62.0	262.0
LFD1238NX24H	24	14.0-27.6	1.00	24.00	4000	165.05	4.67	15.23	0.60	149	58.0	262.0
LFD1238NX24M	24	14.0-27.6	0.60	14.40	3500	144.21	4.08	12.69	0.50	124	53.0	262.0
LFD1238NX24L	24	14.0-27.6	0.40	9.60	3000	115.29	3.26	8.63	0.34	85	48.0	262.0
LFD1238NX24E	24	14.0-27.6	0.20	4.80	2500	101.85	2.88	6.60	0.26	65	40.0	262.0
LFD1238NB48S	48	28.0-56.0	1.00	48.00	5000	260.00	7.36	18.78	0.74	184	62.0	262.0
LFD1238NX48H	48	28.0-56.0	0.60	28.80	4000	165.05	4.67	15.23	0.60	149	58.0	262.0
LFD1238NX48M	48	28.0-56.0	0.40	19.20	3500	144.21	4.08	12.69	0.50	124	53.0	262.0
LFD1238NX48L	48	28.0-56.0	0.20	9.60	3000	115.29	3.26	8.63	0.34	85	48.0	262.0
LFD1238NX48E	48	28.0-56.0	0.12	5.76	2500	101.85	2.88	6.60	0.26	65	40.0	262.0

\* X refers to bearing type and can be B or S (B: ball bearing; S: sleeve bearing)