

50x50x15mm
2.00"x2.00"x0.60"

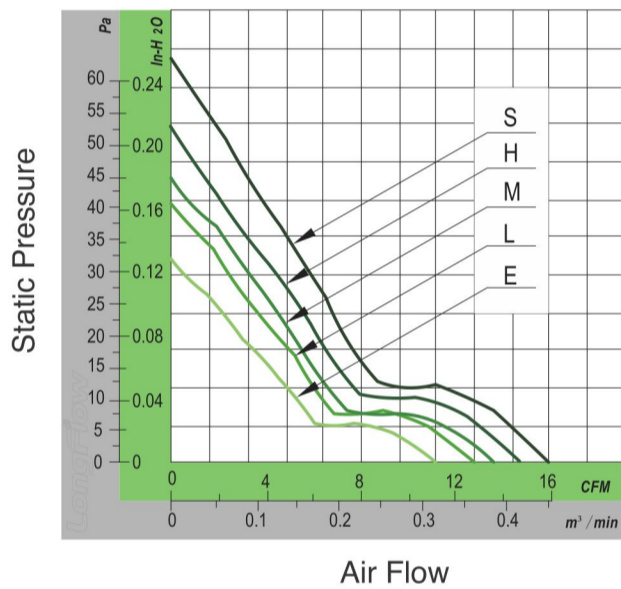
GENERAL SPECIFICATIONS

Motor Structure: Brushless DC Motor
 Motor Protection: Auto-Restart | Polarity Protection(Optional)
 Allowable Ambient Temperature Range:
 -10°C ~ +70°C (Operating)
 -40°C ~ +70°C (Storage)
 (non-condensing environment)
 Safety Standard: UL | TUV | ROHS | CE (Optional)
 Customized Fan Features: FG | RD | IP56 (Optional)

MATERIAL

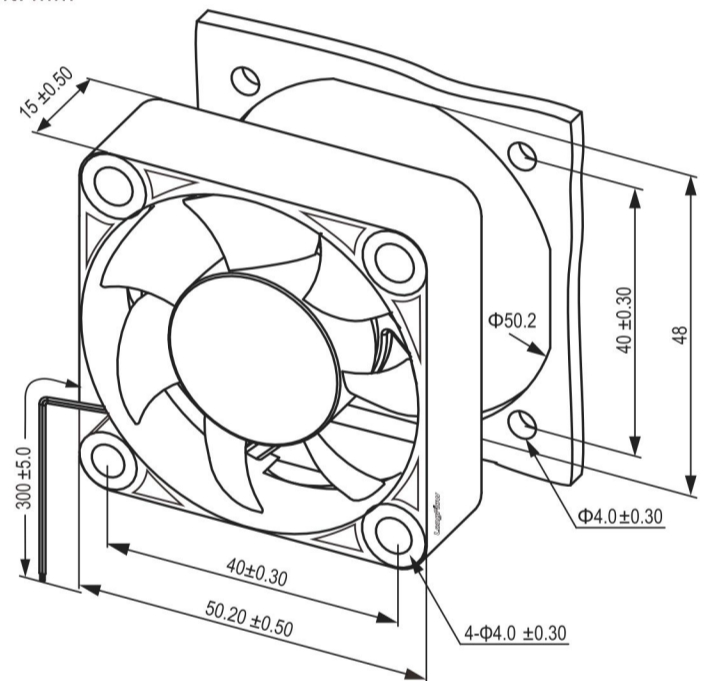
Frame : Plastic (UL94V-0)
 Impeller : Plastic (UL94V-0)
 Bearing&Expected Life:
 Sleeve Bearing 30,000hrs (40°C);
 Ball Bearing 70,000hrs (40°C)
 Lead Wire : UL1007AWG#26 or Equivalent (+) Red, (-) Black

PERFORMANCE CURVES



OUTLINE DRAWING

unit: mm



MODEL SPECIFICATIONS

Model	Rated Voltage	Operating Voltage	Input Current	Input Power	Speed	Max. Air Flow		Max. Air Pressure			Noise Level	Weight
	(V)	(V)	(A)	(W)	RPM	CFM	M³/MIN	mm H ₂ O	in H ₂ O	Pa	dBA	(G)
LFD5015NX05H	5	3.5-5.5	0.50	2.50	6000	14.74	0.42	5.33	0.21	52	34.0	29.0
LFD5015NX05M	5	3.5-5.5	0.35	1.75	5500	13.29	0.38	4.57	0.18	45	31.0	29.0
LFD5015NX05L	5	3.5-5.5	0.25	1.25	5000	12.86	0.36	4.06	0.16	40	27.0	29.0
LFD5015NX05E	5	3.5-5.5	0.20	1.00	4500	11.29	0.32	3.30	0.13	32	25.0	29.0
LFD5015NX12S	12	7.0-13.8	0.20	2.40	6500	15.90	0.45	6.35	0.25	62	36.0	29.0
LFD5015NX12H	12	7.0-13.8	0.16	1.92	6000	14.74	0.42	5.33	0.21	52	34.0	29.0
LFD5015NX12M	12	7.0-13.8	0.14	1.68	5500	13.29	0.38	4.57	0.18	45	31.0	29.0
LFD5015NX12L	12	7.0-13.8	0.12	1.44	5000	12.86	0.36	4.06	0.16	40	27.0	29.0
LFD5015NX12E	12	7.0-13.8	0.10	1.20	4500	11.29	0.32	3.30	0.13	32	25.0	29.0
LFD5015NX24S	24	14.0-27.6	0.12	2.88	6500	15.90	0.45	6.35	0.25	62	36.0	29.0
LFD5015NX24H	24	14.0-27.6	0.10	2.40	6000	14.74	0.42	5.33	0.21	52	34.0	29.0
LFD5015NX24M	24	14.0-27.6	0.08	1.92	5500	13.29	0.38	4.57	0.18	45	31.0	29.0
LFD5015NX24L	24	14.0-27.6	0.07	1.68	5000	12.86	0.36	4.06	0.16	40	27.0	29.0
LFD5015NX24E	24	14.0-27.6	0.06	1.44	4500	11.29	0.32	3.30	0.13	32	25.0	29.0

* X refers to bearing type and can be B or S (B: ball bearing; S: sleeve bearing)